



DDR Company, LLC

**705 S Division St.
Bristol, In 46507 USA
Tel:(574)-970-9765
Fax:(574)-262-5814**



Standard used: ANSI Z21.57a-2012
"Recreational Vehicle Gas Cooking
Appliance"; CAN1-1.16-M79(R2011)
"Propane Fired Cooking Appliance for
Recreational Vehicles"; ANSI Z21.58-2007
CSA 1.6-2007 "Outdoor Cooking Gas
Appliance".

LP GAS DROP-IN 2 BURNER



Model # 1204

QAI File No: REC607-2

Patent Pending



WARNING

- This appliance is NOT intended for commercial use.
- This appliance is NOT intended to be installed in or on a boat.
- The use of alcohol, prescription or non-prescription drugs may impair the consumer's ability to properly assemble or safely operate the appliance.
- DO NOT leave the appliance unattended. Keep children and pets away from the appliance at all times.
- DO NOT place empty cooking vessel on the appliance while in operation. Use caution when placing anything in cooking vessel while the appliance is in operation.
- The appliance must be isolated from the gas supply piping system by closing its individual manual shutoff valve during any pressure testing of the gas supply piping system at test pressures equal to or less than 0.5psi (3.5kPa).

WARNING: If the information in this manual is not followed exactly, a fire or explosion may result causing property damage, personal injury or death.

—Do not store or use gasoline or other flammable vapors and liquids in the vicinity of this or any other appliance.

—WHAT TO DO IF YOU SMELL GAS

- Do not try to light any appliance.
- Do not touch any electrical switch.
- Do not use any phone in your recreational vehicle.
- Clear the recreational vehicle of all occupants.
- Turn off the gas supply tank valve(s) or main gas supply.
- Immediately call your gas supplier for instructions.
- If you cannot reach your gas supplier, call the fire department.

—Have the gas system checked and leakage source corrected by a qualified installer, service agency, manufacturer or dealer or the gas supplier.

Installation must conform with local codes or in the absence of local codes, with the Standard for Recreational Vehicles, ANSI A119.2/NFPA 1192; and Recreational Vehicle Code, CSA Z240 RV series.

Leak testing of the appliance shall be conducted according to the manufacturer's instructions.

SAFETY ALERT SYMBOLS

Safety symbols alerting you to potential personal safety hazards. Obey all safety messages following these symbols.



WARNING

avoid possible injury or death



CAUTION

avoid possible injury and/or property damage

FOR YOUR SAFETY

This instruction manual contains important information necessary for the proper assembly and safe use of the appliance.

Read and follow all warnings and instruction before assembling and using the appliance.

Follow all warnings and instructions when using the appliance.

Keep this manual for future reference.



WARNING

CARBON MONOXIDE POISONING

- Do not use cooking appliance for space heating. It is a potential danger to occupants of vehicle and damage to operating components of the drop-in.
- A window or air vent should be open slightly while using any cooking appliance. Gas flames consume oxygen which must be replaced to assure proper combustion.



DANGER

- **Never operate this appliance unattended.**
- **If a fire should occur, keep away from the appliance and immediately call your fire department. Do not attempt to extinguish an oil or grease fire with water. Failure to follow these instructions could result in fire, explosion or burn hazard which could cause property damage, personal injury or death.**



WARNING

WHAT TO DO IF YOU SMELL GAS

- **Open windows.**
- **DO NOT touch any electrical switch, or use any phone or radio in vehicle.**
- **Extinguish any open flame.**
- **Evacuate ALL persons from the vehicle.**
- **Shut off gas supply at gas container or source.**
- **DO NOT start vehicle's engine or electric generator.**
- **Contact nearest gas supplier or qualified service technician for repairs.**
- **If you cannot reach a gas supplier or qualified service technician, contact the nearest fire department.**
- **DO NOT turn on gas supply until gas leak(s) had been repaired.**

Failure to follow these instructions could result in fire, explosion or burn hazard which could cause property damage, personal injury or death.

NOTE TO CONSUMER:

Have the installer or dealer show you where the main gas shut off valve is located so that you will know how and where to turn off the gas supply when necessary.

CONTENTS

Safety Information.....	1 & 2
Operation.....	3 & 4
Cabinet & Counter Cut Out Chart.....	4
Storage.....	5
Maintenance.....	5
Warranty.....	6
Installation.....	7
Parts Identification.....	8

INSTALLATION

Appliance is certified for use indoor and outside the recreational vehicle. Do not store appliance outdoors. Portable installations into enclosed not made from metal or wood must be approved by DDR.

Appliance for use only with recreational vehicle with which it is supplied. This unit is not designed to be installed adjacent to another top unit.

FOR YOUR SAFETY

Do not store or use gasoline or other flammable vapors and liquids in the vicinity of this or any other appliance.



WARNING

- Improper installation, adjustment, service or maintenance can cause injury, property damage or death. Refer to this manual. For assistance or additional information, consult a qualified installer, service agency, manufacturer or the gas supplier.
- Shut off all gas appliances and pilot lights when refueling gas tanks, LP tanks or when vehicle is in motion.
- DDR gas operated cooking appliances are for use with LP gas only, and for installation indoors & outside recreation vehicles only (e.g. travel trailers, motor homes, tent campers, etc.).

BEFORE EACH USE

Inspect the connecting rubber hose before each use of the appliance.

If there is evidence of abrasion, wear, cuts or leaks, the hose must be replaced prior to the appliance being put into operation.

TO ATTACH HOSE

Screw the hose outlet to the regulator inlet connection using a wrench to a complete shop.

BURNER FLAME CONTROL

Simmer Flame

To warm, adjust burner to a very low flame setting. The flame should not be more than ¼ inch above the burner head.

High Flame

Flame size should not extend beyond the edge of the cookware and improve cooking efficiency. Flame should be cone-shaped and burn with a light blue color. A small amount of yellow may appear at the tip of the cone and is normal.

COOKWARE

Proper use of the cookware will reduce cooking time and energy, and will improve cooking results.

- Match the flame to the cookware.

1. For proper operation of your cooking appliance:

THE CABINET MUST BE

- Properly constructed
 - Squared to the countertop and cabinet face
- THE OPENING IN CABINET MUST BE

- Level from side to side and front to rear



WARNING

**FIRE, EXPLOSION, BURN INJURY,
CARBON MONOXIDE POISONING**

- The cooking appliance must be completely separated and/or sealed from other air-moving or air-consuming devices such as, but not limited to, furnaces, microwave ovens, clothes dryers, cooling fans and doors or drawers in common cabinets. Failure to do so will affect the appliance(s) combustion air supply by creating either a negative or positive draft.
- NEGATIVE DRAFT causes by air-moving appliance may draw the top burner flame down into or toward the drop-in resulting in drop-in damage, burn hazard, explosion possibly and/or carbon monoxide buildup.
- POSITIVE DRAFT may blow out the top burner flame during use, resulting in an explosion and/or fire hazard and/or injury to the occupants of the vehicle.
- Do not operate the appliance in excessive windy conditions as this may cause a negative or positive draft.

- Only use cookware that is **under 11" in diameter on the large burner, and under 8" in diameter on the small burner.**

- Only use cookware on a properly installed grate, DO NOT place cookware directly on a burner without grate.

- Do not use cookware that may obstruct ventilation to the burner in any way.

- Oversized cookware causes a buildup of excessive heat, resulting in damage to the burner grate, burners, and cook top.

USE OF UNACCEPTLE COOKWARE WILL VOID YOUR WARRANTY

Among other unacceptable cookware, avoid:

- Any cookware that extends beyond 1" of the grate edge.
- Any cookware that comes into contact with the cook top.
- Work with support rings which restrict air circulation around the burners.

Excessive heat will cause grates and tops to lose their protective coating, becoming unsightly in appearance. Airflow is important for cooking; the warmed air must be allowed to mix with the air around the burner.

LIGHTING INSTRUCTIONS:

- Hold a lit match to the desired burner head.
- Place pan on the burner.
- Push burner control knob in and turn it to the LITE position.
- When the burner alights, adjust the knob to select desired flame size.
- To extinguish burner flame, turn the knob clockwise to the OFF position.

2. The cabinet opening must be constructed so that the drop-in sides. If combustible material can be placed next to the drop-in sides. If there is a gap between the drop-in and an adjacent cabinet the gap must be closed prior to installing the drop-in.

**! WARNING
FIRE**

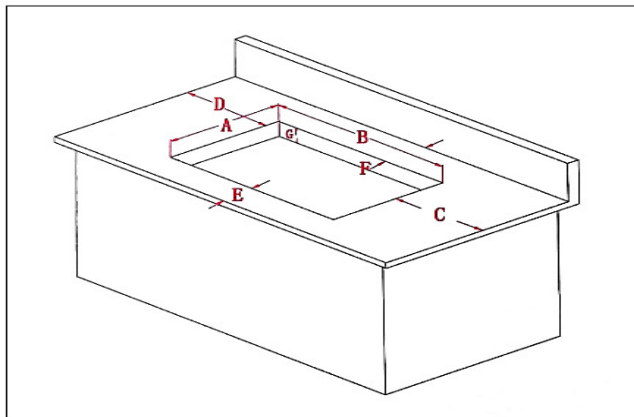
- **19 1/2 inches** is the minimum vertical distance to combustible material directly above the drop-in stove. This distance may be reduced by using non-combustible construction in accordance with Table 2-6. 7.2 in ANSI A119.2/
- The Maximum depth of cabinets installed above cooking surface shall be 13" (330mm).

1. Cabinet dimensions needed for each model are shown in CABINET & COUNTER CUT OUT CHART. The cabinet cut-out must be located with respect to the minimum clearance to combustible materials with respect to the minimum clearance to combustible materials as noted. When planning the location, consider curtains or other combustible materials installing around drop-in.
2. When the cabinet has been prepared according to the dimensions given and the gas line is in place, remove the drop-in from its packaging and position the drop-in in the opening.
3. Verify that the drop-in is level from side to side and from to rear.
4. Secure the burner box assembly in place with wood screws (not supplied).
5. Make the gas connection. All openings in the cabinetry around the gas line must be closed at time of the installation.
6. Turn on the gas supply.

**! WARNING
EXPLOSION OR FIRE**

- Do not use matches, candles or other sources of ignition to test fittings and gas lines for leaks.

7. Check all connections for gas leaks using a non-corrosive leak detection fluid. Do not use a soap and water solution. Leak test in excess of 13.9" W.C. (1/2psi) of air pressure will invalidate warranty.
8. Remove the drop-in top and burner grates from packaging. To install grates, squeeze opposite sides of the grate together and insert the legs into the holes in the stove top from above the stove top.
9. REPLACE THE DROP-IN TOP
Position the drop-in top in place; install the attachment screws and protective nylon washers (supplied) through the drop-in top. Tighten securely. Slide the knobs over the valve stems to complete the installation. Your drop-in is now ready for operation.



! WARNING

BURN INJURY, FIRE, AND/OR EXPLOSION

- Do not heat unopened containers. They could explode. The hot contents may cause burns and container particles may cause injury.
- Do not use the drop-in warming or heating the vehicle. You could be burned or injured, or a fire could start.
- Do not store flammable materials on, in, or near drop-in. Any fumes can create an explosion and/or fire hazard.
- Do not operate drop-in if it is damaged or not working properly.
- Know where your vehicle's main LP gas shutoff is located.
- Verify sufficient gas supply before attempting to light any top burner. Air in the gas supply line will significantly delay burner ignition, and a burner may light unexpectedly as the air in the line clears out and is replaced by LP gas; this unexpected ignition may burn you. Air may be introduced into the supply line when the vehicle gas bottle is replaced, during servicing of other gas appliances, etc.
- If any burner should extinguish (after initial lighting or due to accidental blow-out), turn all burner knobs clockwise to OFF and WAIT FIVE (5) MINUTES before again attempting to light the burner.
- Do not touch top burners. Burner grates, or areas near top burners during and after use. Do not let clothing or other flammable materials contact top burners or areas near top burners until they have sufficient time to cool.
- Pans must be large enough to contain food. Heavy splattering or spillovers left on the drop-in can ignite and burn you.
- Be sure that glass cooking utensils are safe for use on the drop-in. Only certain kinds of glass utensils are suitable for surface or top burner use without breaking due to sudden changes in temperature.
- Never leave top burners unattended. A boil over may result, causing smoke or grease spillovers that may ignite.
- Turn pan handles inward, but not over other top burners. This reduces the chance of burns due to bumping pan.
- Grease is flammable. Never allow grease to collect around top burners or on drop-in surface. Wipe spillovers immediately.
- Do not use water on grease fires. Never pick up a flaming pan. Smother a flaming pan with a tight-fitting lid or cookie sheet. Flaming grease outside of the pan can be extinguished with baking soda or a multipurpose dry chemical or foam-type fire extinguisher.
- Use care when lighting a top burner by hand. If the burner lights unexpectedly, or your hand is close to burner, you may be burned.
- Burner flame should not extend beyond the edge of the cooking utensil. The flame could burn you and cause poor cooking results.
- Control knobs must be turned OFF when not cooking. Someone could be burned or a fire may start if a burner is accidentally left ON.

Model # 1204 BURNER OPERATION

1. Check that gas is on at shutoff valve.
2. **LIGHTING Top Burners:**
 - a. All burner controls operate counter- clockwise and must be pressed inward (toward the drop-in) to turn ON or LITE. Do not attempt to light more than one burner at a time.
 - b. IMMEDIATELY light the burner by holding a lit match or a hand-held spark igniter designed for this purpose near the burner ports.
 - c. To extinguish the top burner flame, turn the appropriate burner knob clockwise to OFF.

CABINET & COUNTERCUT CHART

- ◇ Minimum dimension
- ◇ Over all depth of drop-in

A	B	C	D	E	F	G
11.40 in	16.25 in	1.5 in	1.5 in	1.5 in	3.5 in	2.81 in



**CAUTION
PRODUCT DAMAGE HAZARD**

- Do not use oversized cookware. The maximum pan size is a 10-inch skillet. Oversized cookware will cause excessive heat build-up in the drop-in top and will result in damage to the burner grate, burner and drop-in.
- Do not use a broiler pan, griddle, or any other large utensil which covers more than one (1) top burner at a time. This will create excessive heat which may cause melting, soot or discoloration damage to the burner grates, drop-in top, or utensils.
- Do not leave an empty utensil, or one which has boiled dry on a hot top burner. The utensil could overheat and damage the utensil or the cooking appliance.

STORAGE

Dry all surfaces and burner box, then spray surfaces with PAM or oil base substance to preserve the surface from rusting during storage. Before using, clean oil off surface of appliance.

MAINTENANCE

The owner's cooking habits and cleanliness will affect the operation of the drop-in. Proper installation and care will help keep your drop-in looking and operating like new. Most cleaning can be performed using normal household items.



**WARNING
BURN INJURY, FIRE AND/OR EXPLOSION**

- All controls must be OFF, and the drop-in must be cool before cleaning.
- All drop-in surfaces, burner grates and burners must be cool before cleaning or disassembling drop-in.
- Do not use oven cleaners, bleach, or rust removers on the drop-in or burner grates.
- Do not obstruct the flow of combustion and ventilation air.
- Keep appliance area clear of combustible materials, gasoline and other flammable vapors and liquids.



**CAUTION
PRODUCT DAMAGE HAZARD**

- Clean all surfaces quickly after boil overs or spillovers.
- Use warm soapy water only to clean the burner grates, drop-ins, painted surfaces, porcelain surfaces, stainless steel surfaces and plastic items on your drop-in. Do not use grit on acid-type cleaners.
- Do not use steel wool or abrasive cleaners, they will damage your drop-in. Use only non-abrasive plastic scrubbing pads.



**CAUTION
PRODUCT DAMAGE HAZARD**

- Do not allow foods containing acids (such as lemon or tomato juice, or vinegar) to remain on porcelain or painted surfaces. Acids may remove the glossy finish. Wipe up egg spills when drop-in is cool.
- Do not wash warm porcelain or painted surfaces. Allow porcelain to cool before cleaning. You may burn yourself, or porcelain may crack.
- Pitting and discoloration will result if spills are allowed to remain for any length of time on stainless steel.
- Do not allow spillovers to remain on burner caps. Caps could be permanently stained if spillovers are cleaned up promptly.

ALL DROP-INS

If any of the burner ports or the orifices is clogged, carefully clean with a toothpick. Check and clean burner/venture tubes for insects and nest. Never use a wire brush or metallic item for cleaning burner ports or orifices. Never use any brush which may "shed" bristles, which may become lodged in the orifice or burner ports and cause a fire or explosion.

CLEANING INSTRUCTIONS:

1. Remove the drop-in top:
 - a. Remove the two side screws and washers from the drop-in.
 - b. Pull the knobs straight up, removing them from the valve stems, before removing the top.
 - c. Lift the drop-in clear of the burner box. Replacement is a reversal of this procedure.
2. Remove the burners:
 - a. Remove the two screws securing the two burners to the grill body.
 - b. Carefully pull out the burners and the attached tubes from the grill. Replacement is a reversal of this procedure.
3. Check and clean burner/venture tubes or insects and nests. Never use a wire brush or metallic item for cleaning burner ports or orifices.
4. Replace all parts and screws to their original positions.
5. Valve outlets must be securely seated within the burner tubes before finally re-installing the cooktop. Failure to reassemble the burner tubes correctly may result in a fire or an explosion, causing property damage, personal injury or death.

COOKING APPLIANCE LIMITED WARRANTY

DDR warranty to the original consumer purchaser and subject to the below mentioned conditions, that this product will be free of defects in material or workmanship for a period of 90 days from the original date of the purchase. DDR liability hereunder is limited to the replacement of the product, repair of the product, or replacement of the product with a reconditioned product at the discretion of DDR. This warranty is void if the product has been damaged by accident, unreasonable use, neglect, tampering, or other causes not arising from defects in material workmanship. This warranty extends to the original owner of the product only and is subject to the following conditions:

1. For 90 days from the date of the original purchase warrants that this product will be free of defects in material and workmanship with the exceptions noted below. This warranty includes reasonable labor charges required to remove and replace the part. Service calls to the customer's location are not considered part of these charges and are therefore the responsibility of the owner.
2. This warranty does not cover the following items classified as normal maintenance and/or customer damage:
 - a. Damages, discoloration or scratches to porcelain enamel or other finishes from improper use and care.
 - b. Cleaning or adjustment of any burners.
 - c. Cleaning or replacement of burner orifices.
 - d. Cleaning or adjustment of pilot and thermocouple.
 - e. Damage to glass.
 - f. Product purchased for commercial or industrial use.
3. In the event of warranty claim the owner must contact in advance either an authorized Dealer or DDR Service Department. Warranty Claim services must be performed at an authorized Dealer or as approved by the DDR Service Department – Phone: 574-970-9765
4. Return parts must be shipped to” prepaid”. Credit for shipping cost will be included with the warranty claim. The defective parts become the property of DDR and must be returned to the Consumer Service Department. DDR Company LLC. 705 S. Division St. Bristol, IN 46507 Phone: 574-970-9765.
5. This warranty applies only if the unit is installed according to the installation instructions provided and complies with local and state codes.
6. The warranty replacement parts is the unused portion of the original warranty period.
7. Damages or failure resulting from misuse (including failure to see proper repair service), Misapplication, alterations, water damage or freezing are owner's responsibility.
8. DDR does not assume responsibility for any loss of vehicle, loss of time, inconvenience, expense for gasoline, telephone, travel, lodging, loss or damage to personal property or revenues. Some states do not allow the exclusion or limitation of incidental or consequential damages, so the above limitations or exclusions may not apply to you.
9. Any implied warranties are limited to two (2) years. Some States do not allow limitations on how long an implied warranty lasts, so the above limitation may not apply to you. This warranty gives you specific legal rights and you may also have other rights, which may vary, from State to States.
10. Replacement parts purchased outside the original cooking warranty carry a 90 day warranty. This includes the part at no charge and reasonable labor charges to replace it.

This DDR product is designed for use indoor and outside recreation vehicles for the purpose as stated in the 'data plate'. Any other use, unless authorized in writing by DDR Company LLC, voids the warranty.

Installation in Recreational Vehicles

- The Appliance and its individual shutoff valve must be disconnected from the gas supply piping system during any pressure testing of the system at test pressures in excess of ½ psi (3.5 kPa).
- The Appliance must be isolated from the gas supply piping system by closing its individual manual shutoff valve during any pressure testing of the gas supply piping system at test pressures equal to or less than ½ psi (3.5 kPa).
- The gas supply pressure for checking the regulator setting. {The pressure stated shall be at least 1" W.C. (249 Pa) above the manufacturer's specified manifold pressure.
- For Installation in a pull-out mounting or storage system: When the system is fully extended and in its locked position, it must support a minimum of 25lbs (11.3kg), and maintain the cooktop at a minimum distance of 3.5 inches (8.9 cm) from the vehicle to maintain fire hazard clearance.
- Then cooktop must be installed on the opposite side from the fuel distribution/dispensing system of the recreational vehicle.
- Installation must preclude the possibility of operating the cooktop or allowing any gas flow when the cooktop is in its storage (travel) position.
- The cooktop must connect to the vehicles propane system with a flexible hose connector that complies with the high-pressure requirements of the *Standard for pigtails and flexible hos connections for LP Gas, ANSI/UL 569*, and is of a length no longer than that required to allow the frill be mounted in the "in use" position of its mounting system.
- The hose must be installed in a manner that will not allow it to come in contact with the hot surfaces of the cooktop while in use or in the storage.travel mode.
- To install the top cover, place cover over cooktop evenly with handle facing outwards. Line up the hinges behind cooktop and screw hinges down to countertop. Lift cover up and open cover wings to rest on outside edges of cooktop on countertop to protect flames from wind.

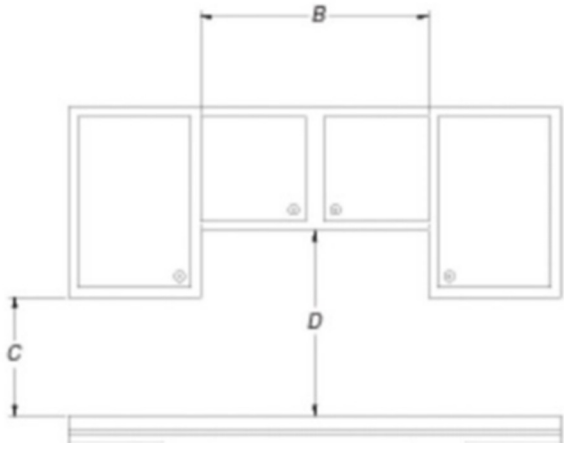
CAUTION- Before closing wings and cover let rest for 15 minutes (or cool to touch) with gas shut off.

WARNING- Do not use this appliance under extended awnings if at least the minimum clearance requirements of 30 inches is not met. Failure to comply could result in a fire or personal injury.

DANGER- Do not put grill in storage or travel immediately after use. Allow grill to cool to touch before moving or storing. Failure to do so could result in fire, resulting in property damage, personal injury or death.



WARNING: NEVER use this appliance as a space heater to heat or warm the room. Doing so may result in carbon monoxide poisoning and overheating of the appliance.



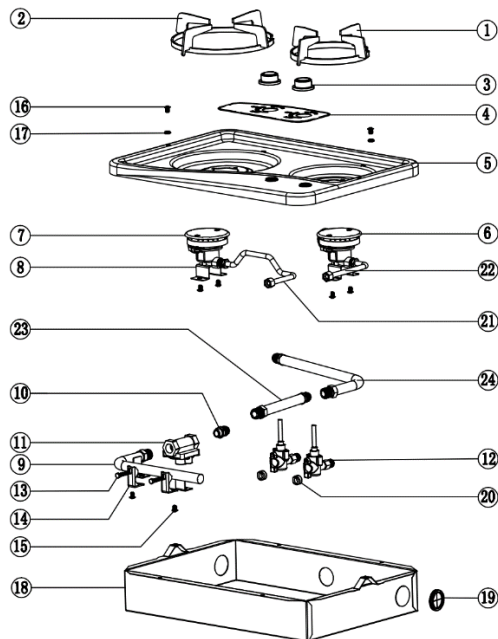
Cabinet Clearances

B: 18"

C: 18" minimum clearance from upper cabinet to countertop within minimum horizontal clearances to cooktop.

D: 19 1/2" minimum clearance between top of cooktop platform and bottom of uncovered wood or metal cabinet.

Item	Part Name	Item	Part Name
1	Small Grate / Petite grille	14	Clamp for Valve Fix Pipe / Pince pour tuyau de fixation de valve
2	Big Grate / Grande grille	15	Inlet Pipe Screw / Vis de tuyau d'entrée
3	Knob / bouton	16	Stove Top Screw / Vis du couvercle de poêle
4	Label / étiquette	17	Stove Cover Gasket / Joint de couvercle de poêle
5	Stove Top / Couvercle de poêle	18	Stove Body / Corps de poêle
6	Right Burner - 5200 btu/h / Brûleur droit - 5200 btu/h	19	Inlet Pipe Grommet / Passe-fil d'entrée
7	Left Burner - 7200 btu/h / Brûleur gauche - 7200 btu/h	20	Valve Seal Gasket / Joint de soupape
8	Burner Bracket / Support de brûleur	21	Left Burner Connect Pipe / Brûleur gauche brancher le tuyau
9	Inlet Pipe / Tuyau d'admission	22	Right Burner Connect Pipe / Brûleur droit brancher le tuyau
10	Inlet Connector / Connecteur d'entrée	23	OPTIONAL Rear Pipe Assembly (replaces #10) / Assemblage de tuyau arrière OPTIONNEL (remplace le # 10)
11	Regulator / Régulateur	24	OPTIONAL Left Pipe Assembly (replace #10) / Assemblage de tuyau gauche OPTIONNEL (remplacer # 10)
12	Valve / Soupape		
13	Valve Screw / Vis de valve		



DDR COMPANY LLC.

Model Number: 1204

BRISTOL, INDIANA 46507

Serial #

For Use in Recreational Vehicles Only

2 Burner Stovetop

For Use With Propane Only

Input Rating Per Burner (Btu/hr):

Approved As An Unvented Unit

1 x 5,200 Btu/hr right burner

1 x 7,200 Btu/hr left burner

The pressure stated shall be at least 1" W.C. (249 Pa) above the manufacturer's specified manifold pressure. This Appliance is NOT intended for Commercial Use. Minimum vertical clearance between the cooking surface and combustible construction above the appliance is 19.5".

Minimum horizontal distance between overhead cabinets installed to either side of the appliance not less than the nominal width of the appliance is 18". Minimum horizontal distance(s) 1.5 inch(38mm) from sides and 3.5 inch(89mm) from back of appliance to adjacent vertical combustible walls extending above the top panel. Minimum horizontal distance from front edge of counter to front side of appliance 1.5 inch(38mm).

Note: These distances shall be from the outermost edge of the top panel or any trim strip supplied with the appliance.

DO NOT use under overhead construction.

THIS APPLIANCE IS NOT TO BE INSTALLED WITH A VENTILATION SYSTEM THAT BLOWS AIR DOWNWARD TOWARD THE COOKTOP.

ANSI Z21.57a-2012 RECREATIONAL VEHICLE COOKING APPLIANCE

MADE IN CHINA

REC607-2

ANSI Z21.58-2007 CSA 1.6-2007 "OUTDOOR COOKING GAS APPLIANCE"

CAN1-1.16-M79 (R2011) PROPANE FIRED COOKING

APPLIANCES FOR RECREATIONAL VEHICLES.



DDR COMPANY LLC. Numéro de modèle: 1204 **BRISTOL, INDIANA 46507**
En série # Pour une utilisation dans les véhicules récréatifs seulement
Cuisinière à 2 brûleurs À utiliser avec le propane seulement
Entrée nominale par brûleur (Btu/h) Approuvé en tant qu'unité non ventilée
1 brûleur droit de 5,200 Btu/h
1 brûleur gauche de 7,200 Btu/h

La pression indiquée doit être d'au moins 1 "W.C. (249 Pa) au-dessus de la pression du collecteur spécifiée par le fabricant. Cet appareil n'est PAS destiné à un usage commercial. Le dégagement vertical minimum entre la surface de cuisson et la construction combustible au-dessus de l'appareil est de 19.5 ". La distance horizontale minimale entre les armoires suspendues installées de chaque côté de l'appareil n'est pas inférieure à la largeur nominale de l'appareil est de 18 ". Distance (s) horizontale (s) minimale (s) de 1,5 pouce (38 mm) des côtés et de 3,5 pouces (89 mm) de l'arrière de l'appareil aux parois combustibles verticales adjacentes s'étendant au-dessus du panneau supérieur. Distance horizontale minimale entre le bord avant du compteur et le côté avant de l'appareil 1,5 pouce (38mm). Remarque: Ces distances doivent être à partir du bord le plus à l'extérieur du panneau supérieur ou de toute bande de garniture fournie avec l'appareil.

CET APPAREIL NE DOIT PAS ÊTRE INSTALLÉ AVEC UN SYSTÈME DE VENTILATION SOUFFLE L'AIR VERS LE BAS VERS LA TABLE DE CUISSON.

FABRIQUÉ EN CHINE

ANSI Z21.57a-2012 APPAREIL DE CUISSON VÉHICULES RÉCRÉATIFS REC607-2

ANSI Z21.58-2007 CSA 1.6-2007 "APPAREIL DE CUISSON

AU GAZ EXTÉRIEUR"

CAN1-1.16-M79 (R2011) CUISSON AU GAZ PROPANE

APPAREILS POUR VÉHICULES RÉCRÉATIFS.



**WARNING/AVERTISSEMENT**

Top cover must be open when main burners are in operation.
If store indoors, detach and leave cylinder outdoors.

Le couvercle supérieur doit être ouvert lorsque les brûleurs principaux fonctionnent.
Si magasin à l'intérieur, détacher et laisser le cylindre à l'extérieur

**WARNING/AVERTISSEMENT**

Do not use this appliance under extended awnings that do not meet the minimum clearance requirement of **19.5 inches**. Failure to comply could result in a fire or personal injury.

For use with a gas appliance pressure regulator.

The regulator supplied must be used with this appliance.

N'utilisez pas cet appareil sous des auvents prolongés qui ne respectent pas les exigences minimales de dégagement de **19.5 pouces**. Le non-respect pourrait entraîner un incendie ou des blessures. Pour utilisation avec un régulateur de pression d'appareil à gaz. Le régulateur fourni doit être utilisé avec cet appareil.



Do not store grill until cool to touch. Failure to do so could result in fire resulting in property damage, personal injury or death.

Ne rangez pas le gril avant qu'il ne refroidisse. Ne pas le faire pourrait causer un incendie, endommager des biens matériels, blesser quelqu'un ou entraîner la mort.

**WARNING/AVERTISSEMENT**

Do not use this appliance under extended awnings that do not meet the minimum clearance requirement of **19.5 inches**. Failure to comply could result in a fire or personal injury.

N'utilisez pas cet appareil sous des auvents prolongés qui ne respectent pas les exigences minimales de dégagement de 19.5 pouces. Le non-respect pourrait entraîner un incendie ou des blessures.



LIGHTING INSTRUCTIONS



1. Read all instructions before lighting.
2. Open top cover during lighting.
3. If ignition does not occur in 5 second's, turn the burner control OFF, wait 5 minutes and repeat the lighting procedure.

-
1. Lisez toutes les instructions avant d'allumer.
 2. Ouvrez le capot supérieur pendant l'allumage.
 3. Si l'allumage ne se produit pas dans les 5 secondes, éteignez la commande du brûleur, attendez 5 minutes et répétez la procédure d'allumage.