



**Atwood Mobile Products LLC**  
 1120 North Main Street • Elkhart, IN 46514  
**PHONE: 574•264•2131 FAX: 574•262•2550**  
**INTERNET: http://www.askforatwood.com**



**LITERATURE NUMBER 52229**

# LP GAS RANGE & SLIDE-IN COOKTOPS

**RA, CA, RV, CV (35) Models**

PROTECTED BY U.S. PATENTS D397,909 AND 5,931,151  
 OTHER PATENTS PENDING

**ENGLISH, FRANCAIS (et Canada)**

**•Installation •Operation •Maintenance**

Effective 09/16/14

### SAFETY ALERT SYMBOLS

Safety Symbols alerting you to potential personal safety hazards. Obey all safety messages following these symbols.

**WARNING**  
 avoid possible injury or death

**CAUTION**  
 avoid possible injury and/or property damage

### FOR YOUR SAFETY

#### READ ALL INSTRUCTIONS BEFORE OPERATING APPLIANCE

**Installer:** Provide these instructions to the consumer.  
**Consumer:** Keep documents for future reference.

### **WARNING** **FIRE OR EXPLOSION**

#### FOR YOUR SAFETY WHAT TO DO IF YOU SMELL GAS

- Open windows.
- DO NOT touch any electrical switch, or use any phone or radio in vehicle.
- Extinguish any open flame.
- Evacuate ALL persons from vehicle.
- Shut off gas supply at gas container or source.
- DO NOT start vehicle's engine or electric generator.
- Contact nearest gas supplier or qualified Service Technician for repairs.
- If you cannot reach a gas supplier or qualified Service Technician, contact the nearest fire department.
- DO NOT turn on gas supply until gas leak(s) has been repaired.

### FOR YOUR SAFETY

- ▶ DO NOT store or use gasoline or other flammable vapors and liquids in the vicinity of this or any other appliance.

### **WARNING**

- Improper installation, adjustment, service or maintenance can cause injury, property damage or death. Refer to this manual. For assistance or additional information, consult a qualified installer, service agency, manufacturer or the gas supplier.

### **WARNING** **EXPLOSION OR FIRE**

- Shut off all gas appliances and pilot lights when refueling gasoline tanks, LP tanks or when vehicle is in motion.
- Atwood & Wedgewood gas operated cooking appliances are for use with LP gas only, and for installation in recreation vehicles only (e.g. travel trailers, motor homes, tent campers, etc.).

### **WARNING** **CARBON MONOXIDE POISONING**

- DO NOT use cooking appliance for space heating. It is a potential danger to occupants of vehicle and damage to operating components of the range/cooktop.
- A window or air vent should be open slightly while using any cooking appliance. Gas flames consume oxygen which must be replaced to assure proper combustion.

### NOTE TO CONSUMER:

Have the installer or dealer show you where the main gas shut off valve is located so that you will know how and where to turn off the gas supply when necessary.

### Table of Contents

Safety Information	1
Installation	1-2
Operation	2-3
Maintenance	3-4
Storage	4
Covers	4
Illustration Figures	5
Warranty	5
Parts Identification	7-8
Accessories / Extended Warranty	15
Cabinet & Counter/Recessed Bi-Fold - Cut Out Charts	6
Wiring Diagram	6

## INSTALLATION

Installation must conform with local codes or in the absence of local codes, with the American National Standard for Recreational Vehicles, ANSI/A119.2 and Article 551, ANSI/NFPA 70. In Canada, installation must conform with CSA Z240.4.2-M.

### **WARNING** **FIRE, EXPLOSION, BURN INJURY, CARBON MONOXIDE POISONING**

- The cooking appliance must be completely separated and/or sealed from other air moving or air consuming devices such as, but not limited to, furnaces, microwave ovens, clothes dryers, cooling fans and doors or drawers in common cabinets. Failure to do so will affect the appliance(s) combustion air supply by creating either a negative or positive draft.
- This range should not be installed with a ventilation system that blows air downward toward the range. As this type of ventilation system may cause ignition and combustion problems with the gas cooking appliance possibly resulting in personal injury or unintended operation.
- **NEGATIVE DRAFT** caused by air moving appliances may draw the top burner flame down into or toward the cooktop resulting in cooktop damage, burn hazard, explosion possibility and/or carbon monoxide buildup.
- **POSITIVE DRAFT** may blow out the top burner flame during use resulting in an explosion and/or hazard and/or injury to the occupants of the vehicle.
- **DO NOT** operate the appliance in excessive windy conditions as this may cause a negative or positive draft.

- For proper operation of your cooking appliance:  
 THE HOUSING CABINET MUST BE:
  - properly constructed.
  - squared to the countertop and cabinet face
 OPENING IN THE HOUSING CABINET MUST BE:
  - level from side to side and front to rear
- For ranges, the cabinet opening must be constructed so that no combustible material can be placed next to the range sides. If there is a gap between the range and an adjacent cabinet, the gap must be closed prior to installing the range.

3. Cabinet dimensions needed for each model are shown in **CABINET & COUNTER CUT OUT CHART**. The cabinet cut-out must be located with respect to the minimum clearances to combustible materials as noted. When planning the location, consider curtains or other combustible materials installed around the range or cooktop.

Note: For models having suffix "N" (i.e. RV1735 BGNP) Countertops with an overhang must be notched as shown in the illustrations. The notch should be 7/16" minimum, both sides.

**WARNING**  
**FIRE AND/OR EXPLOSION**

- **KNIFE RACK INSTALLATION** - Gas supply pipe must be installed with clearance from knives contacting or cutting gas lines.

4. When the cabinet has been prepared according to the dimensions given and the gas line is in place, remove the range or cooktop from its packaging and position the range or cooktop in the opening.
5. Verify the range or cooktop is level from side to side and front to rear.
6. Remove the cooking grate(s), slide the range top back about 1/8", then lift up on one of the front corners (FIG 3) to remove the range top.
7. Fasten the range or cooktop in place with wood screws (not supplied) through holes in burner box. Care should be taken to not force the range mounting flanges to bend, which may cause the range or cooktop to be mounted too low in the cabinet cutout.

**WARNING**  
**FIRE**

- Gas line material inside the burner box must be rated for a minimum of 300°F operation.

8. Make the gas connection. All openings in the cabinetry around the gas line must be closed at time of installation. **With electronic ignition:** Complete the electrical connections as shown in the **WIRING DIAGRAM**. For galley slide-out applications, it is highly recommended that the negative 12 volt connection be connected directly to the battery. Voltage supply must be between 9 and 13VDC. Appliance electrical rating is 12VDC, 0.6A during sparking.

**CAUTION**  
**PRODUCT DAMAGE HAZARD**

- Connect to 12VDC service only.
- DO NOT connect to a circuit fused for more than 3 amps.
- DO NOT hi-pot range unless electronic ignition system has been disconnected.

9. Turn on the gas supply.

**WARNING**  
**EXPLOSION OR FIRE**

- DO NOT use matches, candles or other sources of ignition to test fittings and gas lines for leaks.

10. Check all connections for gas leaks using a non-corrosive leak detection fluid. Do not use a soap and water solution. Leak test in excess of 8 oz. per square inch (1/2 psi) of air pressure will invalidate warranty.
11. Replace range top (FIG 4-5). Range/cooktop is now ready for operation.

**TOP BURNER OPERATION**

**WARNING**  
**BURN INJURY, FIRE AND/OR EXPLOSION**

- Use range or cooktop only for use as described in this manual.
- DO NOT leave children alone or unattended in area where range or cooktop is in use. Never allow anyone to sit, stand, or climb on any part of the range cooktop. They could be burned or injured.
- DO NOT store things children might want above the range or cooktop. Children could be burned or injured while climbing on it.
- DO NOT wear loose or hanging garments when using the range or cooktop. They could ignite if they touch an open flame and you could be burned.
- Use only dry potholders. Moist or damp potholders on hot surfaces may result in burns from steam. Do not let the potholder touch an open flame. DO NOT use a towel or bulky cloth for a potholder. It could catch on fire.
- DO NOT heat unopened containers. They could explode. The hot contents may cause burns and container particles may cause injury.
- DO NOT use range or cooktop for warming or heating vehicle. You could be burned or injured, a fire could start, or deplete oxygen in the vehicle.
- DO NOT store flammable materials on, in, or near the range or cooktop. Any fumes can create an explosion and/or fire hazard.

**WARNING**  
**BURN INJURY, FIRE AND/OR EXPLOSION**

- All control knobs must be turned to OFF when not in use. Fire and/or burning hazard may occur if a burner is accidentally left ON.
- DO NOT operate range or cooktop if it is damaged or not working properly.
- Know where your vehicle's main LP gas shutoff is located.
- Verify sufficient gas supply before attempting to light any top burner. Air in the gas supply line will significantly delay burner ignition, and a burner may light unexpectedly as the air in the line clears out and is replaced by LP gas; this unexpected ignition may burn you. Air may be introduced into the supply line when the vehicle gas bottle is replaced, during servicing of other gas appliances, etc.
- If any burner should extinguish (after initially lighting or due to accidental blow-out), turn all burner knobs clockwise ↻ to OFF and WAIT FIVE (5) MINUTES before again attempting to light the burner.
- DO NOT touch top burners, burner grates, or other areas near top burners during and after use. Do not let clothing or other flammable materials to contact top burners or areas near top burners until they have had sufficient time to cool.
- Make sure the utensils you use are large enough to contain food and avoid boil overs and spillovers. Heavy splattering or spillovers left on the cooktop can ignite and burn you.
- DO NOT drop pans on the porcelain surface. Cracks or chips in the porcelain surface may result.
- Be sure that glass cooking utensils are safe for use on the cooktop. Only certain kinds of glass utensils are suitable for surface or top burner use without breaking due to the sudden changes in temperature.
- Never leave top burners unattended. A boil over could result and cause smoking and greasy spillovers that may ignite.
- Turn pan handles inward, but not over other top burners. This reduces the chance of burns due to bumping pan.
- Grease is flammable. Never allow grease to collect around top burners or on cooktop surface. Wipe spillovers immediately.
- DO NOT use water on grease fires. Never pick up a flaming pan. Smother a flaming pan with a tight-fitting lid or cookie sheet. Flaming grease outside of the pan can be extinguished with baking soda or a multipurpose dry chemical or foam-type fire extinguisher.
- Use care when lighting a top burner by hand. If the burner lights unexpectedly, or your hand is close to the burner, you may be burned.
- Burner flame should not extend beyond the edge of the cooking utensil. The flame could burn you and cause poor cooking results.

1. Check that gas is on at shutoff valve.

2. **LIGHTING Top Burners:**

- a. All burner controls operate counter-clockwise ↶ and must be pressed inward (toward the cooktop) to turn ON or LITE. Do not attempt to light more than one burner at a time.
- b. IMMEDIATELY light the burner by holding a lit match or a hand-held spark igniter designed for this purpose near the burner ports.
- c. To extinguish the top burner flame, turn the appropriate burner knob clockwise ↷ to OFF.

**LIGHTING Top Burners with spark ignition:** (FIG 4-5)

- a. Turn the appropriate burner knob counter-clockwise ↶ to ON or LITE. Do not attempt to light more than one burner at a time.
- b. Turn the SPARK knob clockwise ↷ one "click". If the burner fails to light, continue turning the SPARK knob clockwise ↷ until the burner lights.
- c. To extinguish the top burner flame, turn the appropriate burner knob clockwise ↷ to OFF.

**LIGHTING Top Burners with electronic ignition:**

- a. Turn the appropriate burner knob counterclockwise ↶ to ON or LITE. This will automatically activate the ignition system, and all burners will begin to spark repeatedly. This is the "clicking" sound you will hear.
- b. The burner will light within five (5) seconds. Once the burner is lit, turn the knob counterclockwise ↶ to the desired setting.
- c. To extinguish the top burner flame, turn the appropriate burner knob clockwise ↷ to OFF.
- d. If 12 VDC power is not available to the ignition module for any reason, top burners may be lit manually. See instructions in "Lighting Top Burners".

**CAUTION**  
**PRODUCT DAMAGE HAZARD**

- DO NOT cook with the control knob set in the LITE position. Damage to the ignition module and burner electrodes may result.

3. Proportional flow (linear) top burner valves are installed. Start cooking at the HI setting, then turn the control knob counter-clockwise ⤴ to continue cooking and obtain best results. Use the following table as a guide until you get used to the setting.

SETTING	RECOMMENDED USE
LITE	• To light the burner
HI	• To start foods cooking • To bring liquids to a boil
MED 9-6	• To hold liquids at a boil • To fry chicken or pancakes • To cook large amounts of vegetables
LOW - 5- Low	• To keep food warm



**CAUTION  
PRODUCT DAMAGE HAZARD**

- DO NOT use oversized cookware. The pan should not be more than one inch larger than the burner grate. The maximum pan size is a 10-inch skillet. Oversized cookware will cause excessive heat build-up in the stove top and will result in damage to the burner grate, burner and cooktop.
- DO NOT use a broiler pan, griddle, or any other large utensil which covers more than one (1) top burner at a time. This will create excessive heat which may cause melting, sooting or discoloration damage to the burner grates, range top, or utensils.
- DO NOT leave an empty utensil, or one which has boiled dry, on a hot top burner. The utensil could overheat and damage the utensil or the cooking appliance.

**OVEN OPERATION**



**WARNING  
FIRE, EXPLOSION, BURN INJURY,  
CARBON MONOXIDE POISONING**

- DO NOT touch any inner surfaces of the oven or oven door, or the wire rack inside, or any utensils inside the oven during and after use until these areas have had sufficient time to cool. You could be burned or injured. During and after use, do not let clothing or other flammable materials contact these areas until they have had sufficient time to cool.
- DO NOT touch the outer surface of the oven door or the oven vent while the oven is in use. These areas become hot enough to cause burns. During and after use, do not let clothing or other flammable materials contact these areas until they have had sufficient time to cool.
- DO NOT cover the ventilation holes in the oven broiler shelf (shelf above oven burner). The air circulation inside the oven will be interrupted and cooking times will vary from normal; food may be burned or undercooked.
- DO NOT cover the oven vent openings while the oven is in operation; restricting the flow of combustion air may create a carbon monoxide poisoning hazard.
- DO NOT use oven as a storage area.
- If oven pilot should extinguish after initial lighting or due to accidental blowout, turn oven knob clockwise ⤵ to OFF and wait five (5) minutes before again attempting to light oven.

1. Check that gas is on at shutoff valve.

**2. LIGHTING THE OVEN PILOT**

- Push in oven control knob FIG 1-A and rotate counter-clockwise ⤴ to PILOT ON - PUSH/HOLD.
- PUSH the knob in and HOLD it in while holding a lit match under the oven pilot FIG 1-C located near the back of the oven, under the broiler shelf FIG 1-B and to the right of the oven burner FIG 1-D.
- Continue to hold the oven control knob in for 5 seconds after pilot is lit. Release knob and verify pilot stays lit. Repeat steps (b) and (c) if pilot does not stay lit.
- Set the oven control knob to PILOT PUSH/HOLD to maintain pilot flame. The oven and broiler are now ready for operation; see #3 below before proceeding. The oven pilot has been factory set and requires no further adjustment.
- To extinguish the oven pilot, push in the oven control knob FIG 1-A and rotate clockwise ⤵ to OFF. Extinguish all pilots when refueling or traveling.

**3. LIGHTING THE OVEN BURNER:**

- Light the oven pilot as described in #2 above.
- With the oven control knob set to PILOT PUSH/HOLD, push in and rotate the knob counter-clockwise ⤴ to the desired temperature setting or to BROIL. The oven will pre-heat in approximately 15 minutes. For best results, always pre-heat the oven before use.
- To extinguish the oven burner, rotate the knob clockwise ⤵ to PILOT PUSH/HOLD. The oven pilot will remain lit.
- For complete shutdown, push in and rotate the knob clockwise ⤵ to OFF.

**4. USING THE BROILER:**

- Light the oven pilot as described in #2 (above).
- Push in and rotate the oven control knob counter-clockwise ⤴ to BROIL.
- Center a broiler pan under the broiler flame.
- Move and turn the food over frequently to ensure even browning and cooking.

Note: A 2-piece enameled broiler pan (MPD 51042) may be purchased from Atwood.

Note: Cooking times will be longer at higher attitudes (+4000 feet).

**MAINTENANCE**



**WARNING  
BURN INJURY, FIRE AND/OR EXPLOSION**

- Make sure all controls are OFF and the range or cooktop is cool before cleaning.
- Make sure that all cooktop surfaces, burner grates and burners are cool before cleaning or disassembling cooktop.
- DO NOT use oven cleaners, bleach, or rust removers on the cooktop or burner grates.
- DO NOT obstruct the flow of combustion and ventilation air.
- Keep appliance area clear of combustible materials, gasoline and other flammable vapors and liquids.
- Clean oven with oven cleaner only. Follow directions on the container.
- Never use a wire brush or metallic item for cleaning burner ports or orifices. Brush may "shed" bristles, that may lodge in the orifice or burner ports and cause a fire or explosion.



**CAUTION  
PRODUCT DAMAGE HAZARD**

- Clean all surfaces as soon as possible after boil overs or spillovers.
- Use warm soapy water only to clean the burner grates, cooktops, painted surfaces, porcelain surfaces, stainless steel surfaces and plastic items on your range or cooktop. Do not use grit or acid-type cleaners.
- DO NOT use steel wool, or abrasive cleaners, or acid type cleaners such as chlorine bleach on your cooktop or grate systems. They will damage your range or cooktop. Use only non-abrasive plastic scrubbing pads.
- DO NOT allow foods containing acids (such as lemon or tomato juice, or vinegar) to remain on porcelain or painted surfaces. Acids may remove the glossy finish. Wipe up egg spills when cooktop is cool.
- DO NOT wash warm porcelain surfaces. Allow these areas to cool before cleaning. You could burn yourself, or the porcelain could crack.
- Pitting and discoloration will result if spills are allowed to remain for any length of time on stainless steel.
- DO NOT allow spillovers to remain on the burner caps. The caps could become permanently stained.
- When cleaning around the burners, use care to prevent damage to the electrode (if so equipped). If a sponge or cloth should catch the metal igniter electrode, it could damage or break the electrode. If this occurs, the burner will not light.

The owner's cooking habits and cleanliness will affect the operation of the range or cooktop. Proper installation and care will help keep your range or cooktop looking and operating like new. Most cleaning can be performed using normal household items.

**RANGE & SLIDE-IN COOKTOP: TOP REMOVAL**

**NOTE: RA models with sealed burners require all burner heads be removed FIRST by twisting the burner heads counter clockwise and lifting upward. Replacement after Step 2, reverse (twist Clockwise) to re-install.**

- To remove the range top:
 

All Models - Push firmly in the back of the top to slide the entire top backwards. While the top is slid backwards, lift up on one of the two front corners (FIG 3).
- To replace the range top:
 

ALL Models - Place top on range (FIG4) so the tabs on the spring clips fit into the slots on top (FIG4). Push backwards on the top until the bracket(s) on the front of top fits into center notch or side tabs in the front control panel (FIG5).
- To remove burner grates:
 

ALL Models - simply lift grate up and remove. Replace by placing two legs at a time into the retaining grommets.

**Clean all surfaces quickly after boil over or spills.** Use a dry towel or cloth to soak up spills.

**ALL SURFACES** - When surface is cool, clean with warm soapy water, rinse and dry with soft cloth. Additional cleaning measures:

- Control Knobs - pull the knobs straight off the stems to clean.
- Control Panel - You may use a spray glass cleaner, applying cleaner to a paper towel (do not spray directly on panel.)
- Cook Top Surface - You may use a mild liquid cleaner/glass cleaner.
- Surface Burner Grates - They should be cleaned as soon as they become dirty. You may need to use a non-abrasive plastic scrubbing pad.
- Surface Burners, Burner Ports or Orifices - if clogged, gently brush perforated areas with a lightweight brush (toothbrush) or carefully clean holes out with a toothpick.

NOTE: Heavy burned on soil may require repeated cleaning steps until the soil is completely removed.

NOTE: The grate and surface of the cook top is covered with porcelain coating. Porcelain is a glass/ceramic coating glazed to the surface of the metal. Porcelain is designed to provide a surface that can withstand high temperatures and maintain an attractive appearance and make it easier to clean.

After top burners have been on for a period of time, you may experience a popping sound when the burner is turned off. This is normal and does not create a safety hazard.

## STORAGE

Dry all surfaces and burner box, then spray surfaces with an oil base substance to preserve the surface from rusting during long term storage. Wipe off oil coating before reuse.

## RANGE MAINTENANCE & CARE INSTRUCTIONS

### CARE OF PORCELAIN

The grates and surface of the cook tops are coated with porcelain. Porcelain is a glass/ceramic coating glazed to the surface of the metal. Porcelain is designed to provide a surface that withstands high temperatures, has an attractive appearance and is easy to care for and clean.

#### UNACCEPTABLE - WHICH WILL VOID YOUR WARRANTY

- NEVER use steel wool, abrasive cleaners, or acid type cleaners such as chlorine bleach or dish detergents with lemon fruit acid on any part of your cook top or grate system.
- DO NOT drop pans on the cook top surface, you may crack or chip the porcelain surface.

Should the porcelain become cracked, chipped or affected by excessive heat, the porcelain surface will become unsightly and its effectiveness will be reduced.

### GENERAL COOKING INSTRUCTIONS

To quickly bring liquids to a boil or to begin a cooking procedure use a high flame setting. Reduce the flame to a lower setting to continue cooking. using a higher flame setting than is necessary to maintain a gentle boil will not cook food more quickly. After top burners have been on for a period of time, you may experience a popping sound when the burner is turned off. This is normal and does not create a safety hazard.

### COOKWARE

Acquire cookware that fits the RV environment. Proper cookware will reduce cooking time, using less energy with better cooking results.

#### ACCEPTABLE

- A heavy gauge (aluminum or copper) metal pan with a smooth flat bottom (no more than 10" diameter), straight sides, and a tight fitting lid.
- Cover pan with a lid, food cooks faster when covered, because more heat is retained.
- Lowering flame size, increases cooking efficiency.
- Use cookware with appropriate utensils.

#### UNACCEPTABLE - WHICH WILL VOID YOUR WARRANTY

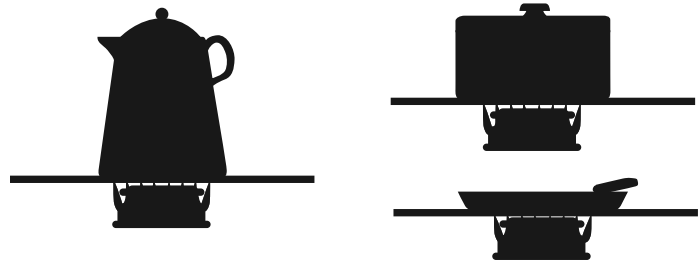
Oversized cookware causes a build up of excessive heat, which results in damage to the burner grate, burners, and cook top. Including the following cookware - but not limited to:

- Griddles
- Any cookware that extends beyond 1" of the grate edge.
- Any cookware that comes into contact with the cook top.
- Woks with support rings which restrict air circulation around the burners.

Excessive heat will cause grates and tops to lose their protective coating, becoming unsightly in appearance. Airflow is important for cooking, the warmed air must be allowed to mix with air around the burner.

### COOKWARE

Use cookware that fits the RV environment. Proper cookware will reduce cooking time, use less energy, and produce better cooking results.



## OVEN HEAT CONTROL AND GENERAL USE

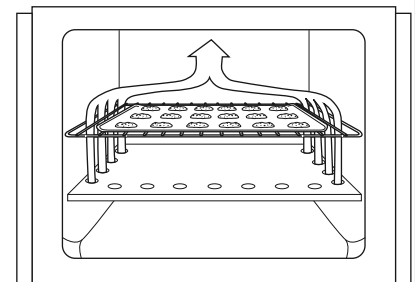
### PREHEATING OVEN

For best results, preheat the oven for 15 minutes before use. For baking, do not select a higher than required temperature to preheat the oven faster, it may have a negative effect on baking results.

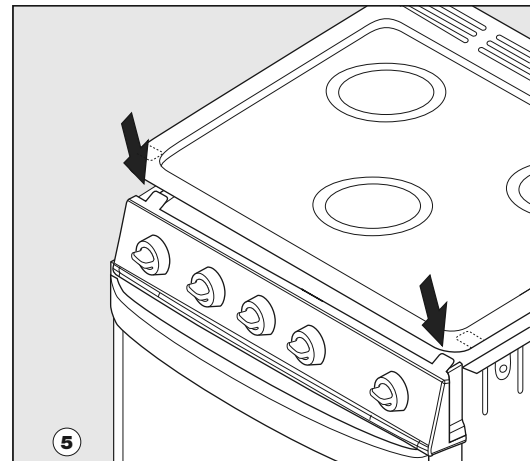
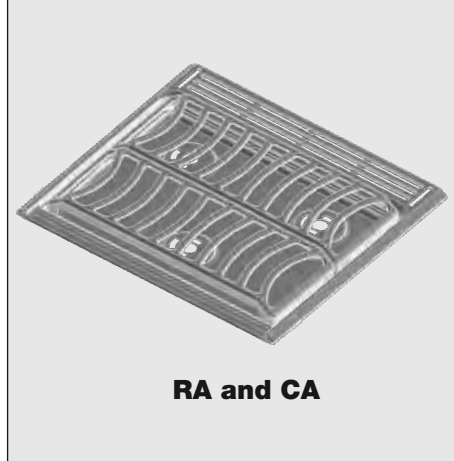
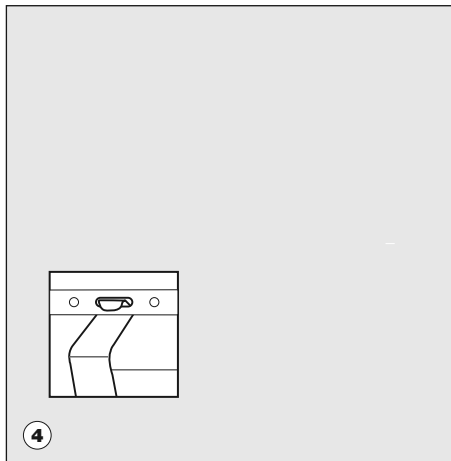
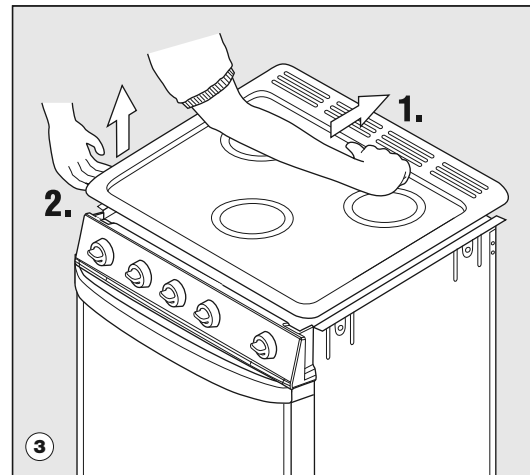
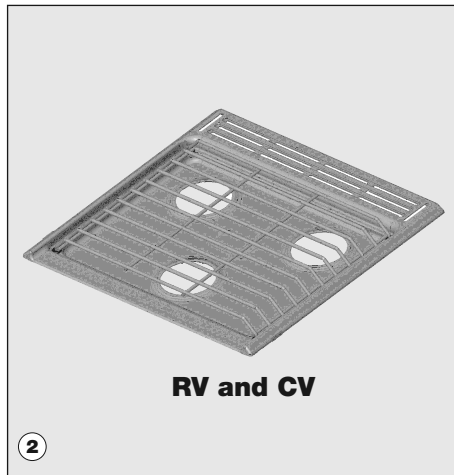
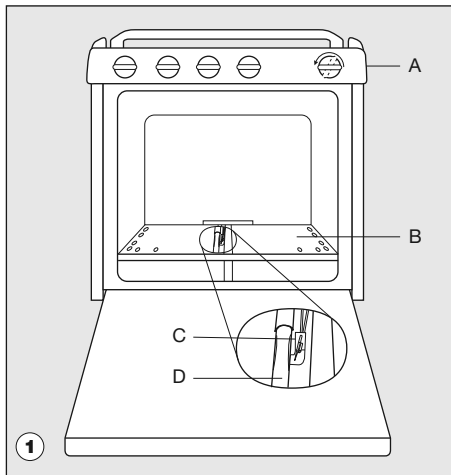
### AIR CIRCULATION

Warmed air must circulate freely throughout the oven for food to cook properly. To prevent undercooked or burned food:

- **DO NOT cover or block ventilation holes in the oven broiler shelf (shelf above the burner).**
- DO NOT cover the bottom of the oven with aluminum foil to catch "over flow".
- DO NOT cover oven racks with aluminum foil.
- Place the food to be baked in the center of the oven with 1"-2" inches space from the oven wall on all sides allowing at least 1"-2" of space on all sides of the container.
- DO NOT crowd the oven with assorted pans or block air passage with an oversized pan.







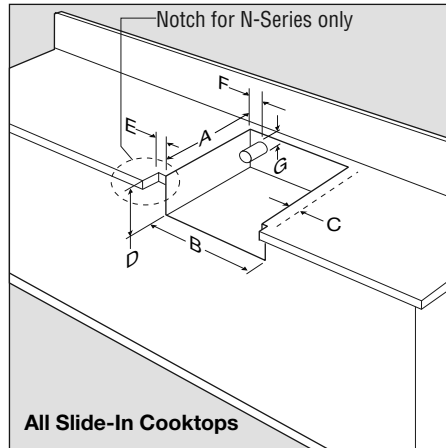
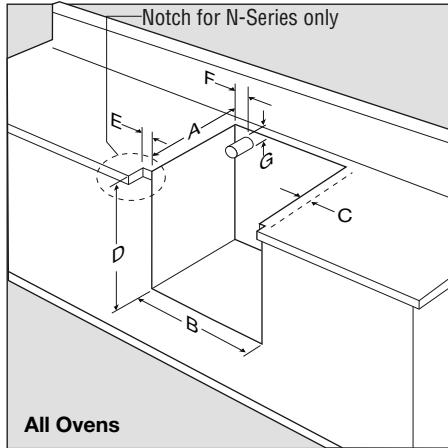
## COOKING APPLIANCE LIMITED WARRANTY

Atwood Mobile Products warrants to the original owner and subject to the below mentioned conditions, that this product will be free of defects in material or workmanship for a period of two years from the original date of purchase. Atwood's liability hereunder is limited to the replacement of the product, repair of the product, or replacement of the product with a reconditioned product at the discretion of Atwood Mobile Products. This warranty is void if the product has been damaged by accident, unreasonable use, neglect, tampering or other causes not arising from defects in material workmanship. This warranty extends to the original owner of the product only and is subject to the following conditions:

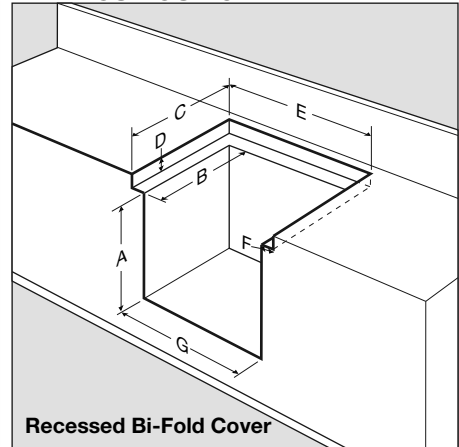
1. For two years from the date of the original purchase Atwood warrants that this product will be free of defects in material and workmanship with the exceptions noted below. This warranty includes reasonable labor charges required to remove and replace the part. Service calls to the customer's location are not considered part of these charges and are therefore the responsibility of the owner.
2. This warranty does not cover the following items classified as normal maintenance and/or customer damage.
  - a. Damage, discoloration or scratches to porcelain enamel or other finishes from improper use and care.
  - b. adjustment of gas pressure
  - c. cleaning or adjustment of any burners
  - d. cleaning or replacement of burner orifices
  - e. cleaning or adjustment of pilot and thermocouple
  - f. damage to glass
  - g. products purchased for commercial or industrial use.
3. In the event of warranty claim the owner must contact in advance either an authorized Atwood Service Station or the Atwood Service Department. Warranty claim service must be performed at an authorized Atwood Service Station (a list will be provided at no charge) or as approved by the Atwood Service Department Atwood Mobile Products, 1120 North Main St., Elkhart, IN 46514 USA. Phone 866-869-3118.

4. Return parts must be shipped to Atwood Mobile Products "prepaid". Credit for shipping costs will be included with the warranty claim. The defective parts become the property of Atwood Mobile Products and must be returned to the Consumer Service Department, Atwood Mobile Products, Greenbrier Operations, 6320 Kelly Willis Road, Greenbrier, TN 37073 USA.
  5. This warranty applies only if the unit is installed according to the installation instructions provided and complies with local and state codes.
  6. The warranty on replacement parts is the unused portion of the original warranty period.
  7. Damage or failure resulting from misuse (including failure to seek proper repair service) misapplication, alterations, water damage or freezing are owner's responsibility.
  8. Atwood does not assume responsibility for any loss of use of vehicle, loss of time, inconvenience, expense for gasoline, telephone, travel, lodging, loss or damage to personal property or revenues. Some States do not allow the exclusion or limitation of incidental or consequential damages, so the above limitations or exclusions may not apply to you.
  9. Any implied warranties are limited to two (2) years. Some States do not allow limitations on how long an implied warranty lasts, so the above limitation may not apply to you. This warranty gives you specific legal rights and you may also have other rights, which may vary, from State to State.
  10. Replacement parts purchased outside the original cooking warranty carry a 90 day warranty. This includes the part at no charge and reasonable labor charges to replace it.
- This Atwood product is designed for use in recreation vehicles for the purpose as stated in the 'data plate'. Any other use, unless authorized in writing by the Atwood Engineering Department, voids the warranty. Atwood/Wedgewood Vision Products include range/oven, drop-in, slide-in and high pressure stoves.

### CABINET & COUNTER CUT OUT CHART



### RECESSED BI-FOLD COVER CUT OUT CHART



#### CABINET & COUNTER CUT OUT CHART - TABLEAU DE DECOUPE DES ELEMENTS ET DU COMPTOIR

CUT OUT DIMENSIONS DIMENSIONS DE LA DÉCOUPE	A	B	C (RV/CV)	D	E	F	G
<b>17" Ranges</b> <b>Série 17"</b>	17.75"	20.25"	1.13"†	16"	0"	1.75"	1.5"
<b>21" Ranges</b> <b>Série 21"</b>	17.75"	20.25"	1.13"†	20"	0"	1.75"	1.5"
<b>Slide-In</b> <b>Série à encastrément</b>	17.75"*	20.25"	1.13"†	3"	0"	1.75"	1.5"
<b>17" N-Series</b> <b>Série 43cm N-Series</b>	17.75"	20.25"	1.13"†	16"	7/16"	1.75"	1.5"
<b>21" N-Series</b> <b>Série 53cm N-Series</b>	17.75"	20.25"	1.13"†	20"	7/16"	1.75"	1.5"
<b>Slide-In N-Series</b> <b>Série à encastrément N-Series</b>	17.75"	20.25"	1.13"†	3"	7/16"	1.75"	1.5"
	451MM	514MM	29MM†	76MM	0MM	45MM	38MM

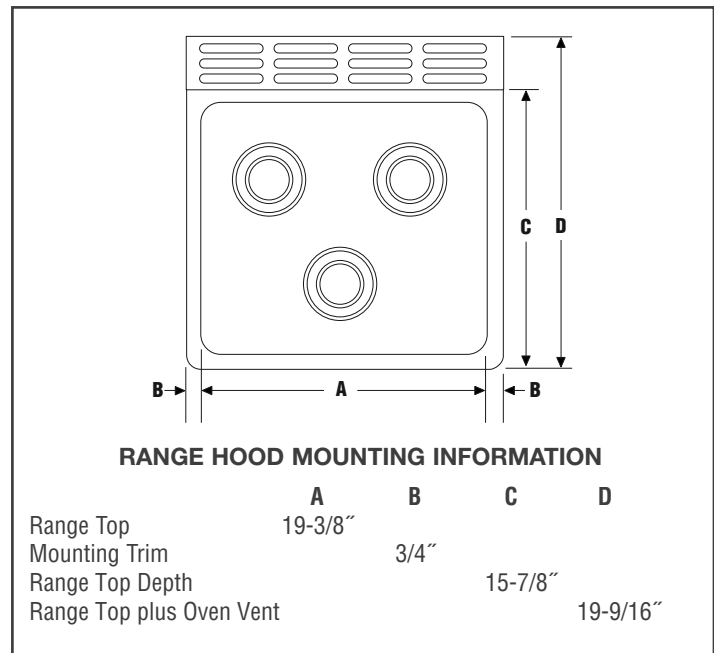
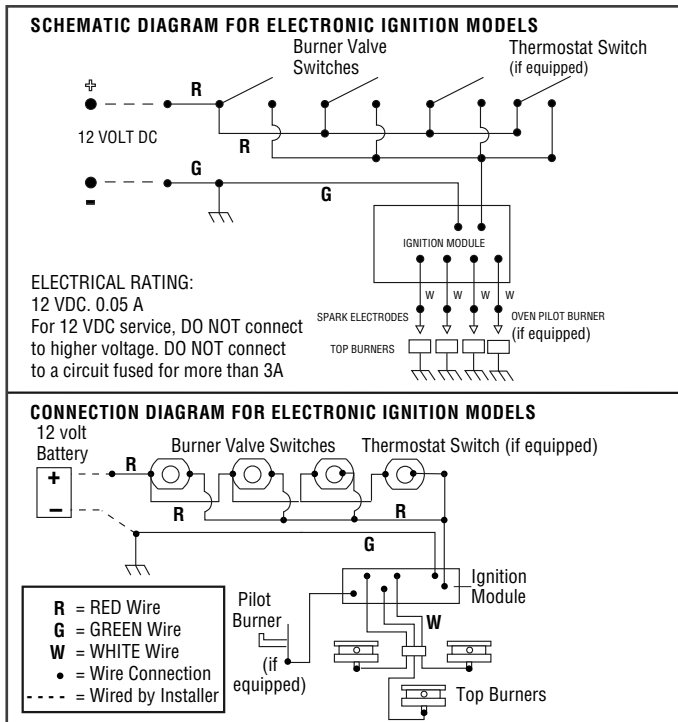
† Minimum clearance to combustible materials. (typical two (2) sides and back)

† Éloignement minimum des matériaux combustibles. (Typiquement sur les deux côtés et à l'arrière)

NOTE: Maximum countertop overhang = 3/4" NOTE: rebord maximum du comptoir = 19 mm

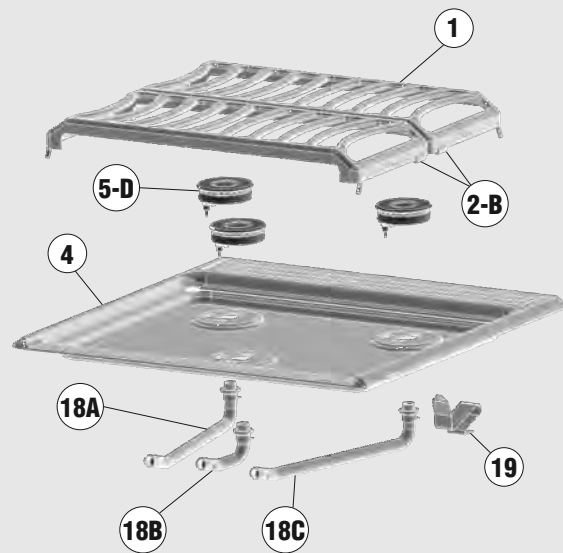
#### RECESSED BI-FOLD COVER - COUVERCLE PLIANT EN DEUX PARTIES ENCASTRÉ

LAMINATE MATERIAL MATÉRIAU STRATIFIÉ	MPD PART #	RA AND RV OVEN 17"		CA AND CV SLIDE-IN	CUT OUT DIMENSIONS - DIMENSIONS DE LA DÉCOUPE					
		A	A	A	B	C	D	E	F	G
1/4" 6 mm	56397	16.0"	20.0"	3.0"	17.75"	20.0"	2.31"	24.5"	2.13"	20.25"
		406 mm	508 mm	76 mm	451 mm	508 mm	59 mm	622 mm	54 mm	514 mm
1/32" .8 mm	56391	16.0"	20.0"	3.0"	17.75"	20.0"	1.84"	24.5"	2.13"	20.25"
		406 mm	508 mm	76 mm	451 mm	508 mm	47 mm	622 mm	54 mm	514 mm

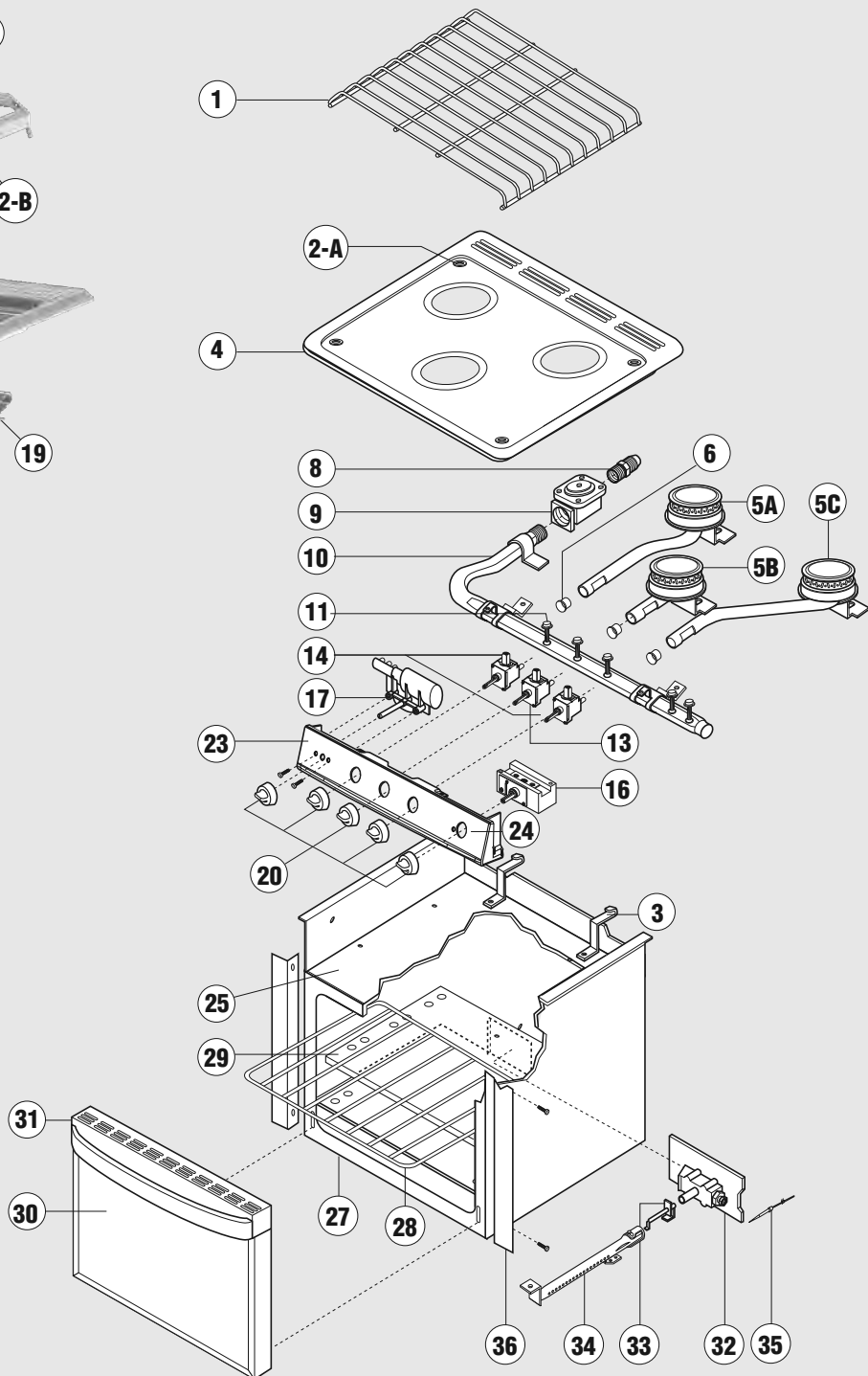


# MODEL 35 - WEDGEWOOD (RV / CV), ATWOOD (RA / CA) Oven & Slide-In Cooktop Parts Identification

## RA & CA Range & Slide-In



## RV & CV Series Range & Slide-In Match Light and Piezo



ITEM	DESCRIPTION	WEDGEWOOD			ATWOOD		
		RV		CV	RA		CA
		1735	2135	35	1735	2135	35
1	Grate - black (2 required for RA & CA)	52890	52890	52890	57190	57190	57190
2A	Grommet	53009	53009	53009	53009	53009	53009
2B	Sealed Grate U-Channel (4 required)				57194	57194	57194
3	Top Spring Clip	51035	51035	51035	51035	51035	51035
4	Range Top - white, side latches	52014	52014	52014	52753	52753	52753
	Range Top - black, side latches	52015	52015	52015	52752	52752	52752
	Range Top - stainless steel, side latches	57532	57532	57532	52754	52754	52754
5A	Kit, Burner, Sparklite - left	52717	52717	52717			
5A	Kit, Burner, Matchlit - left	52718	52718	52718			
5B	Kit, Burner, Sparklite - center	52715	52715	52715			
5B	Kit, Burner, Matchlit - center	52716	52716	52716			
5C	Kit, Burner, Sparklite - right	52713	52713	52713			
5C	Kit, Burner, Matchlit - right	52714	52714	52714			
5D	Burner Head (Twistlock-sealed)				52750	52750	52750
6	Bushing, Burner	53011	53011	53011	53011	53011	53011
8	Brass Fitting	52166	52166	52166	52166	52166	52166
9	Kit, Gas Regulator	51062	51062	51062	51062	51062	51062
10	Kit, Manifold Pipe	52712	52712	52720	52712	52712	52720
11	Bolt, Mini Valve	52168	52168	52168	52168	52168	52168
11	Bolt Thermostat	52887	52887		52887	52887	
13	Kit, Valve, Burner-9000 BTU	52711	52711	52711	52711	52711	52711
14	Kit, Valve, Burner-6500 BTU	52710	52710	52710	52710	52710	52710
16	Kit, Thermostat oven control	52709	52709		52709	52709	
17	Piezo Ignitor	56096	56096	56096	56096	56096	56096
18A	Burner Tube - left rear				52749	52749	52749
18B	Burner Tube - center front				52748	52748	52748
18C	Burner Tube - right rear				52747	52747	52747
19	Burner Tube Bracket				52803	52803	52803
20	Kit, Knobs (Piezo, Burners & Oven)	52719	52719	52719	52719	52719	52719
23	Control Panel Assy- w/o Label	◆	◆	◆	◆	◆	◆
24	Control Panel Label	◆	◆	◆	◆	◆	◆
25	Burner Box	51687	51687	51687	51687	51687	51687
27	Oven Can	51969	51970		51969	51970	
28	Oven rack	51069	51069		51069	51069	
29	Oven shelf	51670	51670		51670	51670	
30	Door assembly includes handle - black steel	51977	51983		51977	51983	
30	Door assembly includes handle - white steel	51978	51984		51978	51984	
30	Door assembly includes handle - white glass	51981	51987		51982	51988	
30	Door assembly includes handle - black glass	51980	51986		51980	51986	
30	Door assembly includes handle - stainless steel	51958	51992		51958	51992	
30	Door assembly white handle - white steel	51957			51957		
	DOOR-Glass Insert - Sm BLACK	51881			51881		
	DOOR-Glass Insert - Lg BLACK		51882			51882	
	DOOR-Glass Insert - Sm WHITE	51883			51883		
	DOOR-Glass Insert - Lg WHITE		51884			51884	
31	Oven Door Handle - black	52025	52025		52025	52025	
	Oven Door Handle - white	52026	52026		52026	52026	
32	Kit, Oven Gas Supply Assy	52704	52704		52704	52704	
33	Kit, Pilot Burner Assy	52706	52706		52706	52706	
34	Kit, Oven Burner	52705	52705		52705	52705	
35	Kit, Thermocouple	52707	52707		52707	52707	
36	Oven Can Trim	51975	51976		51975	51976	
N/S	Kit, 1/8 Pilot Gas Tube	52708	52708		52708	52708	
N/S	Kit, Piezo Ignition Leads	57553	57553	57553	57554	57554	57554
N/S	Kit, Oven Door Hinges	57557	57559		57557	57559	
N/S	Kit, - Door Seal	51060	51061		51060	51061	

Order by model, color and style  
not shown in illustration

◆  
N/S

commander par couleur  
pas montré





**Atwood Mobile Products LLC**  
 1120 North Main Street • Elkhart, IN 46514  
 PHONE: 574•264•2131 FAX: 574•262•2550  
 INTERNET: <http://www.askforatwood.com>



**BROCHURE NUMÉRO 52229**  
**CUISINIÈRES & TABLES DE CUISSON**  
**ENCASTRABLES À**  
**GAZ PROPANE LIQUIDE (LP)**

PROTÉGÉ PAR LES BREVETS AMÉRICAINS  
 D397,909 ET 5,931,151 AUTRES BREVETS EN ATTENTE

**ENGLISH, FRANCAIS (et Canada)**

**•Installation •Fonctionnement •Entretien**  
 En vigueur à partir du 16.09.14

**CONSIGNES DE SÉCURITÉ**

Ces consignes de sécurité signalent un danger potentiel de blessures corporelles. Respectez toutes les consignes de sécurité qui suivent ces symboles.



**AVERTISSEMENT**

avertit du risque de blessures corporelles ou accidents mortels



**ATTENTION**

avertit du risque de blessures corporelles et/ou dommages matériels

**POUR VOTRE SÉCURITÉ LIRE TOUTES LES INSTRUCTIONS AVANT D'UTILISER CE DISPOSITIF**  
**Installateur:** fournir ces instructions à l'utilisateur.  
**Utilisateur:** conserver ces documents pour utilisation ultérieure.



**AVERTISSEMENT**

**EXPLOSION OU INCENDIE**

**POUR VOTRE SÉCURITÉ**

**QUE FAIRE SI VOUS DÉTECTEZ UNE ODEUR DE GAZ**

- Ouvrir les fenêtres.
- Ne pas toucher les interrupteurs électriques et n'utiliser ni téléphone, ni radio dans le véhicule.
- Éteindre toute flamme allumée.
- Évacuer du véhicule toutes les personnes présentes.
- Couper l'alimentation en gaz au niveau de la bouteille ou à la source.
- Ne pas mettre en marche le moteur du véhicule ni celui d'un groupe électrogène.
- Prendre contact avec le fournisseur en gaz ou le spécialiste le plus proche, pour effectuer les réparations.
- S'il n'est pas possible de contacter un fournisseur en gaz ou un spécialiste, appeler la caserne des pompiers la plus proche.
- Ne pas ouvrir l'alimentation en gaz avant d'avoir fait réparer la ou les fuite(s) de gaz.

**POUR VOTRE SÉCURITÉ**

- Ne pas stocker ni utiliser d'essence ou de liquide et vapeur inflammables à proximité de cet appareil ou de tout autre appareil électroménager.



**AVERTISSEMENT**

- Toute erreur d'installation, réglage, service d'entretien peut occasionner des blessures, un endommagement des biens ou s'avérer mortelle. Se reporter à ce mode d'emploi. Pour obtenir de l'aide ou des informations supplémentaires, veuillez vous adresser à un spécialiste de l'installation, un agent d'entretien, un fabricant ou à votre fournisseur en gaz.



**AVERTISSEMENT**

**EXPLOSION OU INCENDIE**

- Éteindre tous les appareils à gaz et veilleuses lors du remplissage de réservoirs d'essence, de réservoirs pour gaz propane liquide (LP), ou lorsque le véhicule se déplace.
- Les appareils de cuisson à gaz Atwood & Wedgewood sont conçus pour ne fonctionner qu'avec du gaz propane liquide (LP), et uniquement dans des véhicules de plaisance (c.à.d. caravanes, camping-car, caravanes pliantes, etc.).



**AVERTISSEMENT**

**INTOXICATION À L'OXYDE DE CARBONE**

- Ne pas utiliser les appareils de cuisson comme source de chauffage afin d'éviter tout danger pour les passagers du véhicule et tout endommagement aux composantes de la cuisinière ou de la table de cuisson.
- Il est nécessaire d'entrouvrir une fenêtre ou une bouche d'aération durant l'utilisation des appareils de cuisson. Le gaz qui est brûlé consomme de l'oxygène qu'il est nécessaire de remplacer afin d'assurer une bonne combustion.

**Table des matières**

Renseignements relatifs à la sécurité . . . . .9  
 Installation . . . . .9-10  
 Fonctionnement . . . . .10-11  
 Entretien . . . . .12  
 Stockage . . . . .13  
 Couverts . . . . .12  
 Illustrations . . . . .14  
 Garantie . . . . .14  
 Identification des pièces . . . . .7-8  
 Accessoires . . . . .15  
 Garantie . . . . .15  
 Tableau de découpe des éléments et du comptoir . . . . .6  
 Schéma électrique . . . . .13

**Note à l'utilisateur:** Demander à l'installateur ou au distributeur de vous montrer où se trouve la vanne principale d'arrivée de gaz de façon à ce que vous sachiez comment couper l'alimentation en gaz lorsque cela est nécessaire.

**INSTALLATION**

L'installation doit être conforme aux codes locaux, ou, en l'absence de codes locaux, à l'American National Standard for Recreational Vehicles (norme américaine pour les véhicules de plaisance) ANSI/A119.2 et Article 551, ANSI/NFPA 70. Au Canada, l'installation doit être conforme au code CSA Z240.4.2-M.



**AVERTISSEMENT**  
**EXPLOSION, INCENDIE, RISQUE DE BRÛLURE,**  
**INTOXICATION À L'OXYDE DE CARBONE**

- Éloigner et/ou isoler complètement la table de cuisson des appareils aérauliques ou à consommation d'air comme les appareils de chauffage à air chaud, les fours à micro-ondes, les sèche-linge, les ventilateurs de refroidissement, ou encore les portes et les tiroirs des armoires, car ils peuvent perturber l'alimentation en air de combustion de la table de cuisson et créer ainsi un tirage négatif ou positif.
- Le TIRAGE NÉGATIF peut aspirer la flamme du brûleur supérieur vers la surface ou l'intérieur de la table de cuisson et ainsi l'endommager, sans compter le risque de brûlures, d'explosion et/ou d'accumulation de monoxyde de carbone.
- Le TIRAGE POSITIF risque de souffler la flamme du brûleur supérieur en cours d'utilisation et de provoquer une explosion, un incendie ou des blessures aux occupants du véhicule.
- Ne pas utiliser la table de cuisson par forts vents en raison du risque de tirage négatif ou positif.

1. Pour un fonctionnement adapté de votre appareil de cuisson  
**L'ÉLÉMENT DOIT ÊTRE**

- construit convenablement.
- à l'équerre avec le comptoir et la façade de l'élément.

**L'OUVERTURE DANS L'ÉLÉMENT DOIT ÊTRE**

- d'aplomb de droite à gauche et de l'avant vers l'arrière

2. Pour les cuisinières, l'ouverture de l'élément doit être conçue de façon à ce qu'aucun matériau combustible ne se trouve à proximité des parois de la cuisinière. Si il y a un espace entre la cuisinière et l'élément adjacent, cet espace doit être bouché avant l'installation de la cuisinière.

3. Les dimensions de l'élément correspondant à chaque modèle se trouvent au chapitre **TABLEAU DE DÉCOUPE DES ÉLÉMENTS ET DU COMPTOIR DE CUISINE**. La découpe de tout élément doit être faite en respectant les dégagements minimaux entre l'appareil et les matériaux combustibles tel qu'indiqué sur le tableau. Lors du choix de l'emplacement de l'appareil, prendre en compte la présence de rideaux ou de tout autre matériau inflammable installé à proximité de la cuisinière ou de la table de cuisson.

NOTE: Pour les modèles comportant le suffixe "N" (ex: RA1732 BGNP), une encoche doit être faite sur les comptoirs avec un rebord en porte-à-faux, comme le montrent les illustrations. L'encoche doit faire 1,1 cm (7/16 ") au minimum, des deux côtés.

**ATTENTION  
EXPLOSION OU INCENDIE**

- Installation du porte-couteaux – Le tuyau d'alimentation en gaz doit être installé suffisamment loin du porte-couteaux pour éviter tout contact ou toute coupure.

4. Lorsque l'élément a été préparé selon les dimensions données et que la ligne de gaz a été installée, retirer la cuisinière/table de cuisson de son emballage et la positionner dans l'ouverture prévue à cet effet.
5. Vérifier que la cuisinière/table de cuisson est d'aplomb de gauche à droite et de l'avant vers l'arrière.
6. Retirer la ou les grille(s) de cuisson, faire glisser le dessus de la cuisinière vers l'arrière sur environ 1/8 po. puis soulever un des coins avant (FIG 3) pour retirer le dessus de la cuisinière.
7. A l'aide de vis à bois (non fournies), fixer la cuisinière au travers des trous dans le couvercle des brûleurs. Faire attention à ne pas forcer et tordre les collerettes de montage. Cela pourrait résulter en une surface installée trop bas par rapport au découpage.

**AVERTISSEMENT  
INCENDIE**

- Les matériaux pour conduits de gaz du boîtier du brûleur doivent avoir une capacité nominale minimale de 300°F.

8. Faire le raccord avec la ligne de gaz. Toutes les ouvertures se trouvant dans les éléments adjacents à la ligne de gaz doivent être fermées lors de son installation. Séries RA et CA à allumage électronique: faire les branchements électriques tel qu'indiqué sur LE SCHÉMA DE CÂBLAGE ÉLECTRIQUE. Pour les cuisinières encastrées, il est fortement conseillé que la borne négative de 12 volts soit connectée directement à la batterie. La tension fournie doit être de 9 à 13 V.c.c. La tension nominale de l'appareil est de 12 V.c.c., 0,6A lors de l'allumage.

**ATTENTION  
RISQUE D'ENDOMMAGER L'APPAREIL**

- Le brancher uniquement sur du 12 V.c.c.
- Ne pas le relier à un circuit protégé par un fusible de plus de 3 A.
- Ne pas effectuer d'essai diélectrique sur la cuisinière, sans que le système d'allumage électronique ait été déconnecté.

9. Ouvrir l'alimentation en gaz.

**AVERTISSEMENT  
EXPLOSION OU INCENDIE**

- Ne pas utiliser d'allumettes, de bougies ou toute autre source d'étincelle pour tester la présence potentielle de fuites au niveau des raccords ou de la ligne de gaz.

10. Vérifier chaque raccord en utilisant un liquide de détection de fuites non-corrosif. Ne pas utiliser de solution à base d'eau et de savon. Un test de fuite avec une pression d'air excédant 8 oz. par pouce carré (1/2 psi) annulera la garantie.
11. Remettre la cuisinière en place (FIG 4-5). La cuisinière/table de cuisson est désormais prête à être mise en service.

**FONCTIONNEMENT DU BRÛLEUR DU DESSUS**

**AVERTISSEMENT  
RISQUE DE BRÛLURE, INCENDIE ET/OU EXPLOSION**

- N'utiliser la cuisinière/table de cuisson qu'aux fins prévues par ce manuel.
- Ne pas laisser les enfants seuls à proximité d'une cuisinière/table de cuisson en service. Ne jamais laisser quiconque s'asseoir, se tenir debout ou monter sur ces appareils.
- Ne pas mettre d'objets qui attirent les enfants au dessus de la cuisinière/table de cuisson. Les enfants risqueraient de se brûler et de se blesser en grimant dessus.
- Ne pas porter de vêtements amples ou vagues devant la cuisinière/table de cuisson. Ils risqueraient de s'enflammer au contact d'une flamme, et d'entraîner des brûlures.
- N'utiliser que des maniques sèches. Au contact de surfaces chaudes, des maniques humides risqueraient d'engendrer des brûlures dues à la vapeur. Ne pas mettre de manique au contact d'une flamme. Ne pas utiliser de serviette ou de chiffon à titre de maniques, ils risqueraient de s'enflammer.
- Ne pas faire chauffer de boîtes de conserves qui ne sont pas ouvertes. Elles risquent d'exploser. Le contenu d'une boîte chauffée risque d'entraîner des brûlures et les morceaux de la boîte pourraient provoquer des blessures.
- Ne pas utiliser la cuisinière/table de cuisson comme chauffage du véhicule. Cela représente un risque de brûlure, de blessure et d'incendie ou l'oxygène du véhicule risque de s'épuiser.
- Ne pas stocker de matériaux inflammables sur, dans, ou à proximité de la cuisinière/table de cuisson. Toute émanation de gaz peut entraîner une explosion et/ou un risque d'incendie.
- Ne pas utiliser la cuisinière/table de cuisson si elle est endommagée ou si elle ne fonctionne pas correctement.
- Savoir où se trouve la vanne d'arrêt principale de gaz propane liquide (LP) de votre véhicule.
- Vérifier qu'il y a suffisamment de gaz avant de tenter d'allumer n'importe lequel des brûleurs du dessus. La présence d'air dans la ligne de gaz ralentit l'allumage des brûleurs qui peuvent s'allumer spontanément au moment où l'air qui s'y trouve est remplacé par le gaz propane liquide (LP) arrivant; Cet allumage spontané présente un risque de brûlure. De l'air risque de s'introduire dans la ligne d'alimentation lorsque la bouteille de gaz du véhicule est remplacée, durant l'entretien d'autres appareils à gaz, etc.
- Si un brûleur s'éteint (après allumage ou du fait d'un soufflement accidentel), tourner tous les boutons de commande des brûleurs dans le sens des aiguilles d'une montre sur OFF (ARRÊT) et ATTENDRE CINQ (5) MINUTES avant de tenter de rallumer le brûleur.
- Ne pas toucher les brûleurs du dessus, les grilles recouvrant les brûleurs, ni tout ce qui se trouve à proximité des brûleurs durant et après leur utilisation. Ne pas mettre de vêtements ou tout autre matériau inflammable en contact avec les brûleurs du dessus ou à proximité des brûleurs du dessus avant que ces derniers n'aient eu le temps de refroidir.
- S'assurer que les récipients de cuisson en verre utilisés sont conçus pour être utilisés sur la surface de cuisson. Seuls certains types de verre sont adaptés à la cuisson sur table de cuisson ou directement sur un brûleur sans qu'ils risquent de se briser du fait des changements brusques de température.
- NE PAS faire tomber de casseroles sur la surface émaillée de la cuisinière. Des fissures ou des éclats pourraient en résulter.
- S'assurer que les récipients de cuisson en verre utilisés sont conçus pour être utilisés sur la surface de cuisson. Seuls certains types de verre sont adaptés à la cuisson sur table de cuisson ou directement sur un brûleur sans qu'ils risquent de se briser du fait des changements brusques de température.
- Ne jamais s'absenter en laissant les brûleurs du dessus en marche. Un débordement pourrait en résulter et causer de la fumée et des éclabousses gras qui risqueraient de s'enflammer.
- Tourner les manches des poêles et casseroles vers l'intérieur, mais pas au dessus d'autres brûleurs. Cela permet de réduire les risques de blessures occasionnées par le renversement d'une casserole.
- Les graisses sont inflammables. Ne jamais laisser de graisse s'accumuler autour des brûleurs ou sur la surface de cuisson. Essuyer immédiatement toute graisse renversée.
- Ne pas utiliser d'eau pour éteindre des graisses en feu. Ne jamais essayer de prendre la queue d'une poêle en feu. Éteindre la poêle en feu avec un couvercle qui couvre bien ou avec une plaque à gâteaux. Si la graisse s'enflamme autour de la poêle, elle peut être éteinte avec du bicarbonate de soude ou avec un extincteur à poudre ou à mousse.
- Se montrer prudent lors de l'allumage manuel d'un brûleur. Vous risquez de vous brûler si le brûleur s'allume inopinément et si votre main en est proche.
- La flamme du brûleur ne doit pas dépasser le rebord de la casserole. Cela résulterait en une mauvaise cuisson et un risque de brûlure.
- S'assurer que tous les boutons de commande sont placés sur OFF (ARRÊT) lorsque l'appareil n'est pas en service. Quelqu'un pourrait se brûler ou un incendie pourrait se déclencher si un brûleur était laissé sur ON (MARCHE) par accident.

1. Vérifier que la vanne d'arrivée en gaz est ouverte.
2. **ALLUMAGE des brûleurs du dessus:**
  - a. Tous les boutons de commande des brûleurs fonctionnent dans le sens inverse des aiguilles d'une montre ↺ et doivent être enfoncés (vers la table de cuisson) pour être mis sur ON (MARCHE) ou sur LITE (ALLUMAGE). Ne pas tenter d'allumer plus d'un brûleur à la fois.
  - b. Allumer IMMEDIATEMENT le brûleur en tenant une allumette enflammée ou un allume-gaz à étincelle près de la base du brûleur.
  - c. Pour éteindre la flamme d'un brûleur du dessus, tourner le bouton de commande correspondant dans le sens des aiguilles d'une montre ↻ sur OFF (ARRÊT).

**ALLUMAGE par étincelle des brûleurs du dessus: (FIG 4-5)**

- a. Tourner le bouton de commande correspondant au brûleur à allumer dans le sens inverse des aiguilles d'une montre ↺ sur ON (MARCHE) ou LITE (ALLUMAGE). Ne pas tenter d'allumer plus d'un brûleur à la fois.
- b. Tourner le bouton SPARK (ÉTINCELLE) d'un cran dans le sens des aiguilles d'une montre ↻. Si le brûleur ne s'allume pas, tourner de nouveau le bouton SPARK (ÉTINCELLE) dans le sens des aiguilles d'une montre ↻ jusqu'à ce que le brûleur s'allume.
- c. Pour éteindre la flamme du brûleur du dessus, tourner le bouton de commande correspondant dans le sens des aiguilles d'une montre ↻ sur OFF (ARRÊT)

**ALLUMAGE électronique des brûleurs du dessus:**

- a. Tourner le bouton de commande correspondant au brûleur à allumer dans le sens inverse des aiguilles d'une montre ↺ sur ON (MARCHE) ou LITE (ALLUMAGE). Ceci enclenchera automatiquement le système d'allumage qui projettera des étincelles vers tous les brûleurs. Un son de "claquage" sera audible durant cette opération.
- b. Le brûleur s'allumera dans les cinq (5) secondes. Une fois que le brûleur est allumé, tourner le bouton dans le sens inverse des aiguilles d'une montre ↺ et le placer sur le réglage désiré.
- c. Pour éteindre la flamme du brûleur du dessus, tourner le bouton de commande correspondant dans le sens des aiguilles d'une montre ↻ sur OFF (ARRÊT).
- d. Si le module d'allumage ne dispose pas d'une alimentation en 12 V.c.c, les brûleurs du dessus peuvent être allumés manuellement. Voir les instructions correspondantes sous "Allumage des brûleurs du dessus".



**ATTENTION  
RISQUE D'ENDOMMAGER L'APPAREIL**

- Ne pas faire la cuisine avec le bouton de commande réglé sur LITE (ALLUMAGE). Cela risquerait d'endommager le module d'allumage ainsi que les électrodes.

3. Les brûleurs du dessus sont équipés de soupapes à débit proportionnel (linéaire). Commencer la cuisson sur le réglage HI (HAUT), puis tourner le bouton de commande dans le sens inverse des aiguilles d'une montre pour obtenir les meilleurs résultats de cuisson possibles. Utiliser la table de cuisson ci-contre comme guide jusqu'à ce que vous soyez familiarisé(e) avec les réglages.

RÉGLAGE	UTILISATION RECOMMANDÉE
LITE (ALLUMAGE)	• Pour allumer le brûleur
HI (HAUT)	• Pour débiter la cuisson • Pour amener à ébullition
MED (MOYEN) 9-6	• Pour maintenir à ébullition • Pour faire cuire du poulet ou des crêpes • Pour faire cuire de grandes quantités de légumes
LOW (BAS)	• Pour garder un plat chaud
5- Low (BAS)	



**ATTENTION  
RISQUE D'ENDOMMAGER L'APPAREIL**

- Ne pas utiliser de casseroles ni de poêles trop grandes. Leur diamètre ne doit pas dépasser la grille du brûleur de plus de 2,5 cm (1 po.), ni excéder 25 cm (10 po.) au total. L'utilisation d'ustensiles d'une dimension supérieure entraînera une accumulation de chaleur sur le haut de la cuisinière qui risquerait d'endommager la grille du brûleur, le brûleur, et la table de cuisson.
- Ne pas utiliser de gril, de plaque en fonte ou tout autre ustensile qui couvre plus d'un (1) brûleur à la fois. Cela créerait une chaleur excessive qui risquerait de faire fondre, d'encrasser ou de décolorer les grilles des brûleurs, la table de cuisson, ou les ustensiles de cuisine.
- Ne pas laisser de casserole vide, ou dont le contenu s'est évaporé sur le dessus d'un brûleur chaud. Elle risquerait de surchauffer, et de s'abîmer au même titre que l'appareil de cuisson.

**FONCTIONNEMENT DU FOUR**



**AVERTISSEMENT  
RISQUE D'INCENDIE, D'EXPLOSION, DE BRÛLURE  
ET D'INTOXICATION AU MONOXYDE DE CARBONE**

- Ne pas toucher les surfaces intérieures du four ou de la porte du four, la grille intérieure ou tout ustensile se trouvant à l'intérieur du four avant qu'ils n'aient eu le temps de refroidir. Vous risqueriez de vous brûler ou de vous blesser. Pendant et après utilisation de l'appareil, ne pas laisser de vêtements ou tout autre matériau inflammable entrer en contact avec ces éléments avant de les avoir laissés refroidir.
- Ne pas toucher la surface extérieure de la porte du four ou de la grille de ventilation du four pendant que le four fonctionne. Ces zones peuvent devenir très chaudes et causer des brûlures. Pendant et après utilisation de l'appareil, ne pas laisser de vêtements ou tout autre matériau inflammable entrer en contact avec ces éléments avant de les avoir laissés refroidir.
- Ne pas couvrir les orifices de ventilation se trouvant au niveau du gril (au dessus du brûleur du four). La circulation de l'air dans le four s'en trouvera interrompue, ce qui modifiera les temps de cuisson et risque de résulter en des plats brûlés ou pas assez cuits.
- Ne pas couvrir les bouches de ventilation du four pendant que le four fonctionne, la réduction de la circulation d'air de combustion risquerait d'entraîner un empoisonnement au monoxyde de carbone.
- Ne pas utiliser le four en tant qu'étagère ou placard de rangement.
- Si la veilleuse du four s'éteint après l'allumage ou du fait d'un soufflement accidentel, tourner le bouton de commande du four dans le sens des aiguilles d'une montre ↻ sur OFF (ARRÊT) et attendre cinq (5) minutes avant de tenter de le rallumer.

1. Vérifier que la vanne d'arrivée de gaz est bien ouverte.
- 2A. **ALLUMAGE DE LA VEILLEUSE FOUR – Allumette Allumée**
  - a. Enfoncer le bouton de commande du four (fig 1-A) et tourner dans le sens inverse des aiguilles d'une montre, sur PILOT ON-PUSH/HOLD.
  - b. ENFONCER le bouton et le MAINTENIR ENFONCÉ, tout en tenant une allumette allumée sous la veilleuse du four (fig 1-C), située près de l'arrière du four, sous la plaque gril (fig 1-B) et à gauche du brûleur du four (fig 1-D).
  - c. Continuer de tenir le bouton de commande du four pendant 10 secondes, la veilleuse allumée. Relâcher le bouton et s'assurer que la veilleuse reste allumée. Répéter les étapes (b) et (c), si la veilleuse ne reste pas allumée.
- 2B. **ALLUMAGE DE LA VEILLEUSE DU FOUR – Allumage à étincelle électronique**
  - a. Enfoncer le bouton de commande du four (fig 1-A) et tourner dans le sens inverse des aiguilles d'une montre, sur PILOT-PUSH/HOLD.
  - b. ENFONCER le bouton et le MAINTENIR enfoncé, tout en observant la veilleuse du four (fig 1-C), située près de l'arrière du four, sous la plaque gril (fig 1-B) et à gauche du brûleur du four (fig 1-D).

- c. Continuer de tenir le bouton de commande du four pendant 10 secondes, la veilleuse allumée. Relâcher le bouton et s'assurer que la veilleuse reste allumée. Répéter les étapes (b) et (c), si la veilleuse ne reste pas allumée.

**Suite de l'ALLUMAGE AVEC ALLUMETTE et de L'ALLUMAGE A ETINCELLE ELECTRONIQUE -**

- d. Régler le bouton de commande du four sur PILOT PUSH/HOLD pour conserver la flamme de la veilleuse. Le four et le gril sont désormais prêts à fonctionner ; Cf. N° 3 ci-dessous avant de continuer. La veilleuse du four a été réglée en usine et ne nécessite aucun réglage supplémentaire.
- e. Pour éteindre la veilleuse, enfoncer le bouton de commande du four ①-A et le faire tourner dans le sens des aiguilles d'une montre ↻ sur OFF (ARRÊT). Éteindre toutes les veilleuses avant de refaire le plein et avant de déplacer le véhicule.

**3. ALLUMAGE DU BRÛLEUR DU FOUR:**

- a. Allumer la veilleuse du four tel qu'indiqué au paragraphe n° 2 ci-dessus.
- b. Une fois que le bouton de commande du four est réglé sur PILOT PUSH/HOLD, enfoncer et tourner le bouton dans le sens inverse des aiguilles d'une montre, jusqu'à atteindre le réglage de température voulu, ou jusqu'à BROIL (gril). Il faut environ 10 minutes pour que le four monte à température. Pour obtenir de meilleurs résultats, toujours pré-chauffer le four avant utilisation.
- c. Pour éteindre le brûleur du four, tourner le bouton dans le sens des aiguilles d'une montre, sur PILOT PUSH/HOLD. La veilleuse du four reste allumée.
- d. Pour un arrêt complet, enfoncer et tourner le bouton dans le sens des aiguilles d'une montre | et le placer sur OFF (ARRÊT).

**4. Utilisation du gril:**

- a. Allumer la veilleuse du four tel qu'indiqué au paragraphe n° 2 ci-dessus.
- b. Enfoncer et tourner le bouton de commande du four dans le sens inverse des aiguilles d'une montre \ et le placer sur BROIL (GRILLER).
- c. Placer une plaque de gril au centre de la flamme du brûleur.
- d. Déplacer et retourner ce que vous voulez cuire fréquemment de façon à bien saisir et bien cuire.

Note: Un gril émaillé en deux pièces peut être acheté auprès d'Atwood (MPD 51042). Note: Les temps de cuisson augmentent à haute altitude (+ 1200 m./+4000 pieds).

**ENTRETIEN**



**AVERTISSEMENT**

**RISQUE DE BRÛLURE, INCENDIE ET/OU EXPLOSION**

- S'assurer que tous les boutons de commande sont placés sur OFF (ARRÊT) et que la cuisinière/table de cuisson a refroidi avant de la nettoyer.
- S'assurer que toutes les surfaces de cuisson, grilles de brûleurs et brûleurs ont eu le temps de refroidir avant tout nettoyage ou démontage.
- Ne pas utiliser de décapants pour four, d'eau de javel ou de produits pour enlever la rouille sur la surface de cuisson ou sur les grilles des brûleurs.
- Ne pas obstruer le débit de combustion et la circulation d'air.
- Ne placer aucun matériau combustible, essence ou toute autre substance, liquide ou gaz inflammable à proximité de l'appareil.
- Pour nettoyer le four, utiliser uniquement un décapant à four. Bien suivre les instructions accompagnant le produit.
- Ne jamais utiliser de brosse en fil de fer ou tout autre objet métallique pour nettoyer les orifices et les bases des brûleurs. Ces brosses pourraient laisser des poils à l'intérieur des orifices et entraîner un incendie ou une explosion.



**ATTENTION**

**RISQUE D'ENDOMMAGER L'APPAREIL**

- Nettoyer toutes les surfaces aussitôt que possible en cas de débordement ou éclaboussement.
- Utiliser uniquement de l'eau chaude savonneuse pour nettoyer les grilles des brûleurs, les surfaces de cuisson, les surfaces peintes, les surfaces en porcelaine, les surfaces en acier-inox et les articles en plastique sur votre cuisinière/table de cuisson. Ne pas utiliser de produits de nettoyage abrasifs ou acides.
- Ne pas utiliser de paille de fer ou tout autre abrasif du type agent chloré qui risqueraient de rayer votre cuisinière/table de cuisson. N'utiliser que des éponges à récurer synthétiques et non-abrasives.
- Ne pas laisser d'aliments acides (tels que le citron, le jus de tomate ou le vinaigre) sur les surfaces peintes ou émaillées. Les acides risquent de dépolir le fini brillant. Nettoyer les traces d'œufs après avoir laissé refroidir la surface de cuisson
- Ne pas nettoyer les surfaces émaillées lorsqu'elles sont encore chaudes. Attendre qu'elles aient refroidi avant de les nettoyer. Sinon, la porcelaine risquerait de craquer et de vous brûler.
- Si la nourriture renversée sur l'acier inoxydable n'est pas nettoyée, des marques de piqûres et de décoloration risquent d'apparaître au bout d'un certain temps.
- Ne pas laisser de bavures sur les chapeaux des brûleurs. Les chapeaux des brûleurs risquent d'être tâchés de façon permanente.
- Lors du nettoyage autour des brûleurs, veiller à ne pas endommager l'électrode (si votre matériel en est équipé) qui pourrait être abîmée ou être cassée au contact d'un coup d'éponge ou de chiffon. Si cela se produit, le brûleur ne s'allumera pas.

**GAMME & SLIDE-IN DE CUISSON: sur la suppression**

**REMARQUE: Les modèles AR avec brûleurs scellés exigent que toutes les têtes de brûleurs soient retirées en premier par la torsion du brûleur têtes dans le sens antihoraire et soulevées vers le haut. Remplacement après l'étape 2, inverser (torsion dans le sens horaire) pour ré-installer.**

1. Pour retirer le dessus de la cuisinière:  
Pour tous les modèles – Appuyer fermement sur l'arrière du dessus de façon à faire reculer l'ensemble. Une fois que le dessus est repoussé, soulever un des deux coins avant (FIG 3).
2. Pour remettre en place le dessus de la cuisinière:  
Modèles Toutes - Placer le dessus de la cuisinière sur la cuisinière (FIG 4) de façon à ce que les pattes des clips de fixation s'adaptent bien sur les fentes situées sur le dessus. Appuyer vers l'arrière jusqu'à ce que la patte s'enclenche dans l'encoche du panneau de commande avant (FIG 5).
3. Pour retirer les grilles des brûleurs:  
Modèles Toutes – Lever et enlever tout simplement la grille. La remplacer en plaçant deux pattes à la fois dans les œillets de maintien.

**Nettoyer toutes les surfaces immédiatement après toute éclaboussure ou débordement.** Utiliser une serviette sèche ou un chiffon pour absorber les éclaboussures.

**TOUTES SURFACES** - Lorsque la surface est froide, nettoyer à l'eau savonneuse tiède, rincer puis sécher avec une serviette. Autres procédures de nettoyage:

- Les boutons de commande - pour nettoyer les boutons de commande, les retirer de leur socle.
- Le panneau de commande - Il est possible d'utiliser un produit à vitres, à condition d'appliquer le produit au moyen d'un chiffon et de ne pas le vaporiser directement sur le panneau.



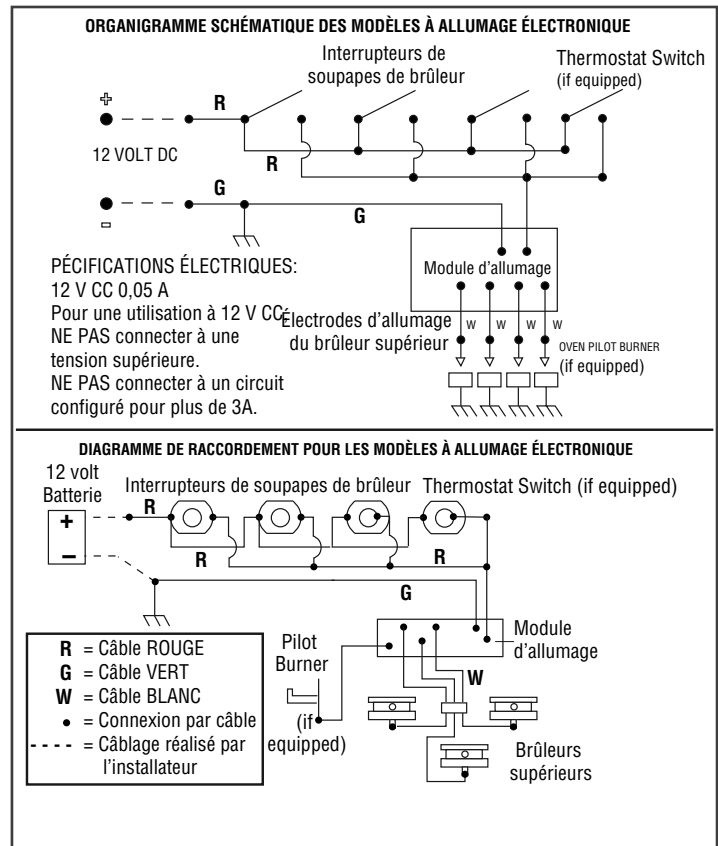
- La surface de la cuisinière - Il est possible d'utiliser un agent nettoyant doux ou un produit à vitres.
- Les grilles des brûleurs de surface - Elles doivent être nettoyées dès qu'elles sont salies. Il faudra peut-être utiliser des éponges à récurer synthétiques et non-abrasives.
- Les brûleurs de surface et les orifices et les bases des brûleurs - S'ils sont bouchés, brosser doucement les zones ouvertes à l'aide d'une brosse légère (brosse à dents) ou nettoyer avec précaution l'intérieur des orifices à l'aide d'un cure-dents.

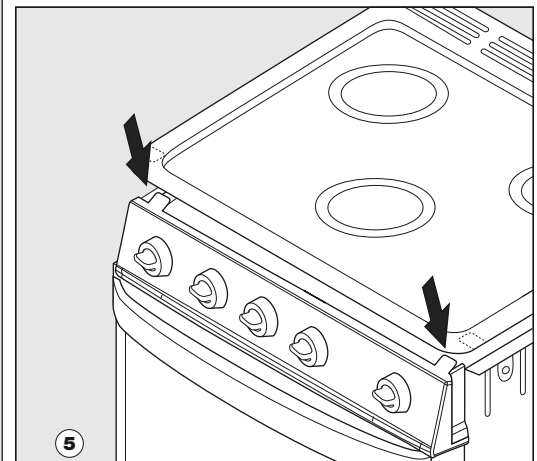
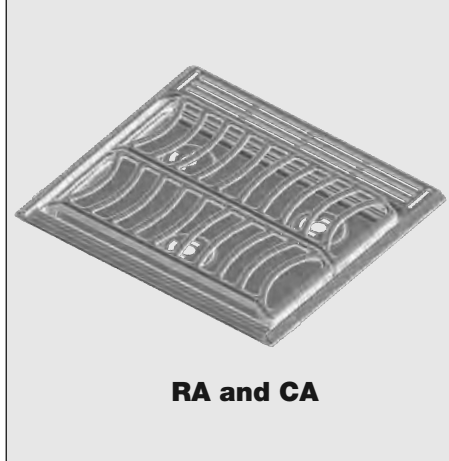
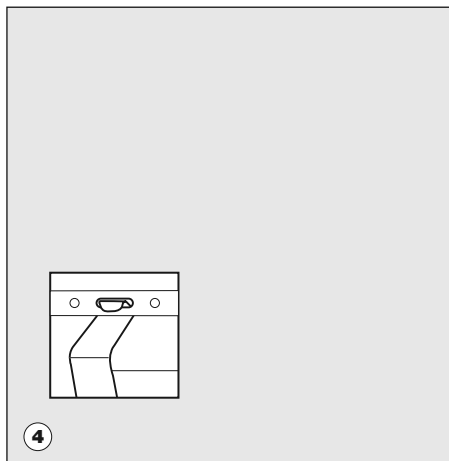
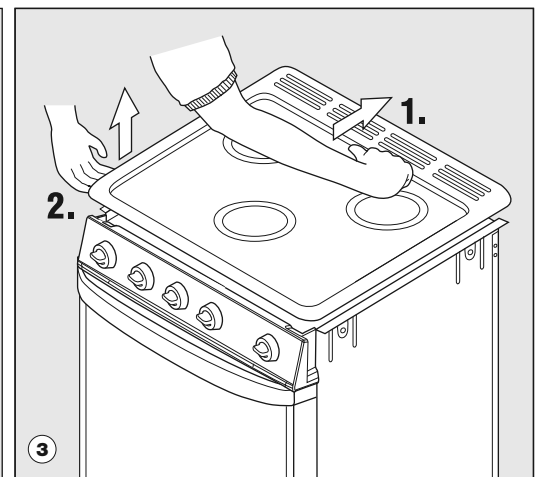
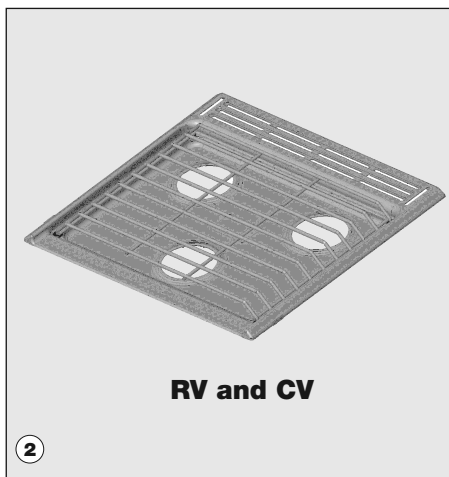
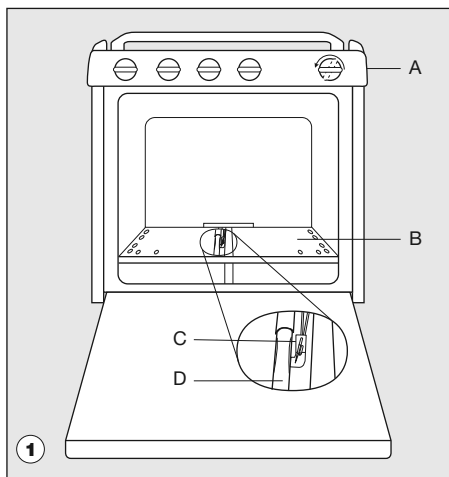
NOTE: Pour les éclaboussures tenaces, répéter les étapes de nettoyage ci-dessus jusqu'à ce que la surface soit propre.

NOTE: La grille et la surface de la cuisinière sont émaillées. L'émail est une couche de verre/céramique vitrifiée sur la surface du métal. Il permet à la surface de résister aux températures élevées tout en gardant une apparence agréable et en facilitant son nettoyage.

### STOCKAGE

Faire sécher toute les surfaces ainsi que le compartiment des brûleurs, puis vaporiser les surfaces avec une huile alimentaire fine pour les empêcher de rouiller durant un stockage de long terme. Essuyer la couche d'huile avant de ré-utiliser l'appareil.





## GARANTIE LIMITEE POUR APPAREILS DE CUISSON

Atwood Mobile Products garantit ce produit à l'acheteur initial, et suivant les termes stipulés ci-dessous, contre tout défaut de matériel ou de fabrication pendant une période de deux ans à compter de la date d'achat. La responsabilité d'Atwood sous cette garantie est limitée au remplacement du produit, à la réparation du produit ou au remplacement du produit par un produit remis à neuf, à la discrétion d'Atwood Mobile Products. La garantie est nulle si le produit a été endommagé par un accident, une utilisation abusive, une négligence, une altération ou toute autre cause dont n'est à l'origine ni un défaut de matériel, ni un défaut de fabrication. Seul l'acheteur initial bénéficie de la garantie, qui est valable sous réserve des conditions suivantes :

1. Pendant une période de deux (2) ans à compter de la date d'achat, la garantie Atwood couvre toute pièce présentant des défauts de matériau ou de main d'œuvre, à l'exception de la liste ci-dessous. Cette garantie comprend des frais de main d'œuvre raisonnables correspondant à la dépose et la repose des pièces. Les frais de déplacement sur place ne sont pas considérés comme faisant partie de ces frais et sont donc à la charge du propriétaire.
2. Cette garantie ne couvre pas les éléments suivants considérés comme faisant partie de l'entretien normal:
  - a. Tout endommagement, décoloration ou égratignures du revêtement émaillé ou d'autres revêtements causés par une utilisation et un entretien abusifs.
  - b. Réglage de la pression du gaz
  - c. Nettoyage ou remplacement des brûleurs
  - d. Nettoyage ou réglage des orifices des brûleurs
  - e. Nettoyage ou réglage de la veilleuse et du thermocouple
  - f. Surfaces émaillées ou en verre endommagées
  - g. Produits achetés dans un but commercial ou industriel
3. En cas de réclamation au titre de la garantie, le propriétaire doit contacter à l'avance un centre de réparation agréé Atwood ou le service après-vente d'Atwood. La réparation sous garantie doit être faite par un centre de réparation agréé Atwood (une liste est fournie gratuitement) ou selon les instructions du service après-vente, Atwood

Service Department, Atwood Mobile Products, 1120 North Main St., Elkhart, IN 46514, USA , Téléphone: 866-869-3118

4. Les pièces doivent être renvoyées à Atwood port payé. Un crédit pour les frais d'expédition est inclus pour une réclamation au titre de la garantie. Les pièces défectueuses deviennent la propriété d'Atwood Mobile Products et doivent être renvoyées au Consumer Service Department, Atwood Mobile Products, Greenbrier Operations, 6320 Kelly Willis Road, Greenbrier TN 37073, USA.
5. Cette garantie n'est valide que si l'appareil est installé en conformité avec les instructions d'installation fournies et avec les règlements locaux et provinciaux
6. La période de garantie des pièces remplacées s'exerce jusqu'à la fin de la période de garantie initiale.
7. Les dégâts et les défaillances résultant d'une mauvaise utilisation (y compris l'absence d'une réparation appropriée), d'une utilisation inappropriée, de modifications, de dégâts par les eaux ou le gel sont à la charge du propriétaire.
8. Atwood n'est pas responsable de l'immobilisation du véhicule, de la perte de temps, des inconvénients, des frais de carburant, de téléphone, des frais de déplacement, de logement, de la perte ou de l'endommagement de biens personnels ou de revenus. Certains Etats ou provinces ne permettent pas l'exclusion ni les limitations des dégâts connexes ou secondaires, il se peut donc que les limitations ou exclusions ci-dessus ne s'appliquent pas à votre cas.
9. Toute garantie implicite est limitée à deux (2) ans. Certains Etats ou provinces ne permettent pas les limitations de durée de la garantie implicite ; il est donc possible que cette limitation ne s'applique pas à votre cas. Cette garantie donne des droits spécifiques à l'acheteur et il est possible que d'autres droits varient d'un Etat ou d'une province à l'autre.
10. Les pièces de remplacement achetées en dehors de la garantie initiale ont une garantie de 90 jours. Ceci comprend le remplacement gratuit de la pièce et les frais raisonnables de main d'œuvre pour la remplacer.

Ce produit Atwood est conçu pour être utilisé dans des véhicules de plaisance comme indiqué sur sa plaque d'identification. Toute autre utilisation, sauf autorisée préalablement par écrit par le Service d'ingénierie d'Atwood, annule la garantie. Les produits Atwood/Wedgewood Vision Products comprennent des

# Atwood Extended Service Contract Provides These Extras!

for



**ATWOOD WATER HEATER  
inner tank**



**HYDRO FLAME FURNACE  
combustion chamber**



**ATWOOD/WEDGEWOOD RANGE  
gas valves & manifold**



extends coverage  
to full five years



one price covers  
parts and labor



in-shop service

(read complete information on form below)



**Also available...  
Service Related Travel**



Includes mileage travel  
expense by authorized  
service center



Up to 200 miles total  
of service travel



One full year of  
coverage

## PLEASE USE ORDER FORM BELOW TO BEGIN EXTENDED SERVICE CONTRACT OF YOUR PRODUCT(S).

### ATWOOD EXTENDED SERVICE CONTRACTS



\$45



**Water Heater Tank**—An extended service contract is available covering the parts and labor for replacement of the **inner tank** in the event the water heater tank develops leaks due to corrosion. This extends the original (2) two year warranty an additional (3) three years for a total of (5) five years to the original owner from the original date of purchase of the water heater or vehicle.



\$25



**Furnace Combustion Chamber**—An extended service contract is available covering the parts and labor for the replacement of the **combustion chamber** in the furnace in the event the combustion chamber were to prematurely fail due to defects in material or workmanship. This extends the original (2) two year warranty an additional (3) three years for a total of (5) five years to the original owner from the date of purchase of the furnace or vehicle.



\$15



**Range Gas Valves and Manifold**—An extended service contract is available covering the parts and labor for the replacement of **range burner valves and manifold** in the event of premature failure due to defects in material and workmanship. This extends the original (2) two year warranty an additional (3) three years for a total of (5) five years to the original owner from the original date of purchase of the range or vehicle.

All 3

\$75



**Save \$10.00 by selecting all three Extended Service Contracts.**

### SERVICE RELATED TRAVEL MILEAGE—\$20.00 (See Explanation)



\$20



**Mileage Travel Expense**—Mileage travel expense is not covered by the Limited Warranty issued with each product. If it is anticipated that it may be inconvenient to transport your vehicle or Atwood product to obtain service you may choose to purchase this Service Mileage option. This will pay up to 200 miles of service travel at 20 cents per mile to an authorized Atwood Service Center whose service personnel travels to your location to perform in-warranty service work on your Atwood product. This is for (1) one year from the original date of purchase of the vehicle or Atwood water heater, furnace or range.

To qualify for any of these options, they must be purchased within 90 days of the vehicle or product purchase. Prices listed are in **US DOLLARS**-please make check amount accordingly. Upon receipt of this completed card together with your check or money order, Atwood will send you a written confirmation of the options you selected.

### EXTENDED SERVICE ORDER FORM

**Model and Serial Number of each covered appliance is REQUIRED.**

Today's Date \_\_\_\_\_

Date of Purchase \_\_\_\_\_

Name \_\_\_\_\_

Address \_\_\_\_\_

City \_\_\_\_\_ ST \_\_\_\_\_ ZIP \_\_\_\_\_

Phone \_\_\_\_\_

Your RV Manufacturer's Brand Name \_\_\_\_\_

Your Dealer's Company Name \_\_\_\_\_

### CONTRACT DESIRED

THE MODEL AND SERIAL NUMBER OF EACH COVERED APPLIANCE IS REQUIRED.

Model No. Serial No.

ATWOOD Water Heater Tank \_\_\_\_\_ \$45.00

HYDRO FLAME Furnace \_\_\_\_\_ \$25.00

ATWOOD/WEDGEWOOD Range \_\_\_\_\_ \$15.00

**Save \$10**—Select All Three from above

MILEAGE TRAVEL EXPENSE \$20.00



Atwood Mobile Products  
1120 North Main Street  
Elkhart, IN 46514 USA

LEFT BLANK