



ENGLISH

ESPAÑOL

FRANÇAIS

OWNER'S MANUAL TOP MOUNT REFRIGERATOR

Please read this owner's manual thoroughly before operating and keep it handy for reference at all times.

Model Name

LTNC11121V



AFN73165212

P/No.: MFL62423832-3

www.lg.com

Copyright © 2014 - 2017 LG Electronics Inc. All Rights Reserved.
Copyright © 2014 - 2017 LG Electronics Inc. Todos los Derechos Reservados.
Copyright © 2014 - 2017 LG Electronics Inc. Tous droits réservés.

TABLE OF CONTENTS

3 PRODUCT FEATURES

4 IMPORTANT SAFETY INSTRUCTIONS

7 COMPONENTS

- 7 Refrigerator Exterior
- 7 Refrigerator Interior

8 INSTALLATION

- 8 Installation Overview
- 8 Specifications
- 9 Unpacking Your Refrigerator
- 9 Choosing the Proper Location
 - 9 - Flooring
 - 9 - Ambient Temperature
- 10 - Measuring the Clearances
- 10 Turning on the Power
- 10 Leveling

11 HOW TO USE

- 11 Before Use
- 12 Control Pad
- 13 Storing Food
 - 13 - Food Preservation Location
 - 14 - Food Storage Tips
 - 14 - Storing Frozen Food
- 15 Humidity Controlled Crisper
- 15 Door Bins
- 15 Adjusting the Refrigerator Shelves

16 MAINTENANCE

- 16 Cleaning

17 SMART DIAGNOSIS™

- 17 Using Smart Diagnosis™

18 TROUBLESHOOTING

23 WARRANTY

PRODUCT FEATURES

* Depending on the model, some of the following functions may not be available.



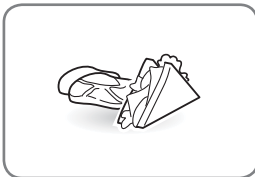
SMART DIAGNOSIS™

Use the function to contact the service center and receive precise diagnosis when the refrigerator malfunctions or fails. Use it only to connect to the consultant and do not use it in normal times.



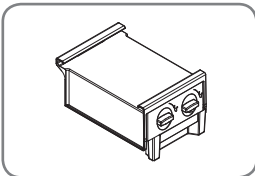
HUMIDITY CONTROLLED CRISPERS

The Humidity Controlled Crispers are designed to help keep your fruits and vegetables fresh and crisp. You can control the amount of humidity in the crispers by adjusting the settings between Low and High.



PULL OUT TRAY

The Pull Out Tray pulls forward to provide easy access to items.



ICEMAKER

To suit your individual storage needs your icemaker can be moved from one side to another.

 **WARNING**
Fill with potable water only.

IMPORTANT SAFETY INSTRUCTIONS

READ ALL INSTRUCTIONS BEFORE USING THE APPLIANCE.

This guide contains many important safety messages. Always read and obey all safety messages.



This is the safety alert symbol. It alerts you to safety messages that inform you of hazards that can kill or hurt you or others, or cause damage to the product.

All safety messages will be preceded by the safety alert symbol and the hazard signal word WARNING or CAUTION. These words mean:



WARNING You can be killed or seriously injured if you do not follow instructions.



CAUTION Indicates an imminently hazardous situation which, if not avoided, may result in minor or moderate injury, or product damage.



WARNING

To reduce the risk of fire, electric shock, or personal injury when using your product, basic safety precautions should be followed, including the following:

Power

- NEVER unplug your refrigerator by pulling on the power cord. Always grip the plug firmly and pull it straight out from the outlet.
- If the supply cord is damaged, it must be replaced by the manufacturer or its service agent or a similar qualified person in order to avoid a safety hazard. Do not use a cord that shows cracks or abrasion damage along its length or at either the plug or connector end.
- Do not use an uncertified power outlet.
- Unplug the power plug immediately in the event of a blackout or thunderstorm.
- Plug in the power plug with the power cord facing downward.
- Do not use extension cords or ungrounded (two prong) adapters.

Installation

- Contact an authorized service center when you install or relocate the refrigerator.
- When moving your refrigerator away from the wall, be careful not to roll over or damage the power cord.
- Prior to use, ensure that you are connecting this product to a dedicated grounded electrical outlet rated for use with this product (115V~ 60Hz, AC only). It is the user's responsibility to replace a standard 2-prong wall outlet with a standard 3-prong wall outlet.
- Do not install the refrigerator where there may be a danger of the unit falling.

Use

- DO NOT allow children to climb, stand, or hang on the refrigerator doors or on the shelves in the refrigerator. They could damage the refrigerator and seriously injure themselves.
- Do not hang on to or place heavy objects on the refrigerator's dispenser.
- Do not place heavy or dangerous objects (bottles with liquid) on the refrigerator.
- Do not put live animals inside the refrigerator.
- Do not allow children to climb into the product when it is in use.
- In the event of a gas leak (propane/LPG), ensure adequate ventilation and contact an authorized service center before resuming use. Do not touch or disassemble the electrical outlet of the refrigerator.
- In the event of a refrigerant leak, move flammable objects away from the refrigerator. Ensure adequate ventilation and contact an authorized service center.
- Do not use or place flammable substances (chemicals, medicine, cosmetics, etc) near the refrigerator or store them inside the refrigerator. Do not place the refrigerator in the vicinity of flammable gas.

READ ALL INSTRUCTIONS BEFORE USING THE APPLIANCE.

To reduce the risk of fire, electric shock, or personal injury when using your product, basic safety precautions should be followed, including the following:

- This product is not to be used for special purposes such as the storage of medicine or test materials or for use on ships, etc.
- Unplug the power plug before cleaning or repairing the refrigerator.
- Do not modify or extend the power cord.
- Do not use a dryer to dry the interior. Do not light a candle to remove interior odors.
- For your safety, this appliance must be properly grounded. Have the wall outlet and the circuit checked by a qualified electrician to make sure the outlet is properly grounded.
- Do not use an outlet that can be turned off with a switch. Do not use an extension cord. It is the user's responsibility to replace a standard 2-prong wall outlet with a standard 3-prong wall outlet.
- Do not, under any circumstances, cut or remove the third (ground) prong from the power cord.
- Do not use an adapter plug and plug the power plug into a multi-outlet extension cord.
- Disconnect the power cord immediately if you hear a noise, smell a strange odor or detect smoke coming from the appliance.
- Turn the power off if water or dust penetrates into the refrigerator. Call a service agent.
- Do not disassemble or modify the refrigerator.
- Do not put hands, feet, or metal objects below or behind the refrigerator.
- Do not touch the cold surfaces in the freezer compartment with wet or damp hands, when your refrigerator is in operation.
- Do not put glass containers, glass bottles or soda in the freezer.
- This appliance is not intended for use by persons (including children) with reduced physical, sensory or mental capabilities, or lack of experience and knowledge, unless they have been given supervision or instruction concerning the use of the appliance by a person responsible for their safety. Children should be supervised to assure that they do not play with the appliance.
- Do not refreeze frozen food that has thawed completely. Doing so may result in a serious health issue.
- If you are throwing away your old refrigerator, make sure the CFC or HCFC coolant is removed for proper disposal by a qualified servicer. If you release CFC/HCFC coolant, you may be fined or imprisoned in accordance with the relevant environmental law.
- Junked or abandoned refrigerators are dangerous, even if they are sitting for only a few days. When disposing of the refrigerator, remove the packing materials from the door or take off the doors but leave the shelves in place so that children may not easily climb inside.
- If the refrigerator is connected to a circuit protected by fuses, use time delay fuses.
- If the use of this unit is no longer needed, please contact local authorities to dispose of this product in a safe way due contains Pentane-cycle or pentane like gas for insulation. Insulation gases require a special elimination process. This product contains flammable.
- Do not damage the refrigerant circuit.

READ ALL INSTRUCTIONS BEFORE USING THE APPLIANCE.

To reduce the risk of fire, electric shock, or personal injury when using your product, basic safety precautions should be followed, including the following:


CAUTION
Installation

- The refrigerator must be properly installed in accordance with the Installer Instructions that were taped to the front of the refrigerator.
- Be careful when you unpack and install the refrigerator. Immediately dispose of plastic and other packing materials out of the reach of children.
- The appliance must be positioned for easy access to a power source.

Use

- Close the door carefully when children are around.
- Keep fingers out of pinch point areas; clearances between the doors and cabinets are necessarily small. Be careful closing doors when children are nearby.
- If you store food improperly, be aware that it may fall and cause injury.
- Do not use aerosols near the refrigerator.
- Do not store articles on the top of the appliance.

Maintenance

- Do not use strong detergents like wax or thinners for cleaning. Clean with a soft cloth.
- Wipe foreign objects (such as dust and water) off the prongs of the power plug and contact areas regularly.
- Do not store, disassemble or repair the refrigerator by yourself.
- Remove any dust or foreign matter from the power plug pins.
- Do not use a wet or damp cloth when cleaning the plug.
- If the refrigerator is disconnected from the power supply, wait for at least five minutes before plugging it back in.
- If you notice a chemical or burning plastic smell or see smoke, unplug the refrigerator immediately and contact your LG Electronics Service Center.


WARNING

This product contains chemicals known to the State of California to cause cancer and birth defects or other reproductive harm. ***Wash hands after handling.*** (USA Only).


WARNING

DO NOT USE MECHANICAL DEVICES
Do not use mechanical devices or other means to accelerate the defrosting process, only those recommended by the manufacturer.


WARNING

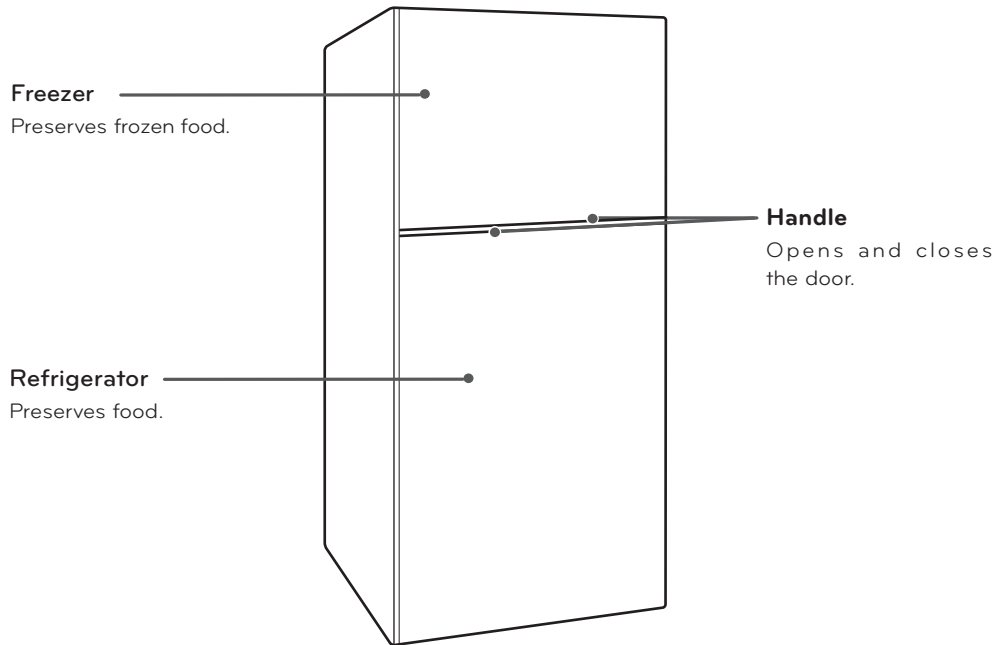
DO NOT STORE ELECTRICAL APPLIANCES
Do not use electrical appliances inside the food storage compartment, unless they are recommended by the manufacturer.

SAVE THESE INSTRUCTIONS

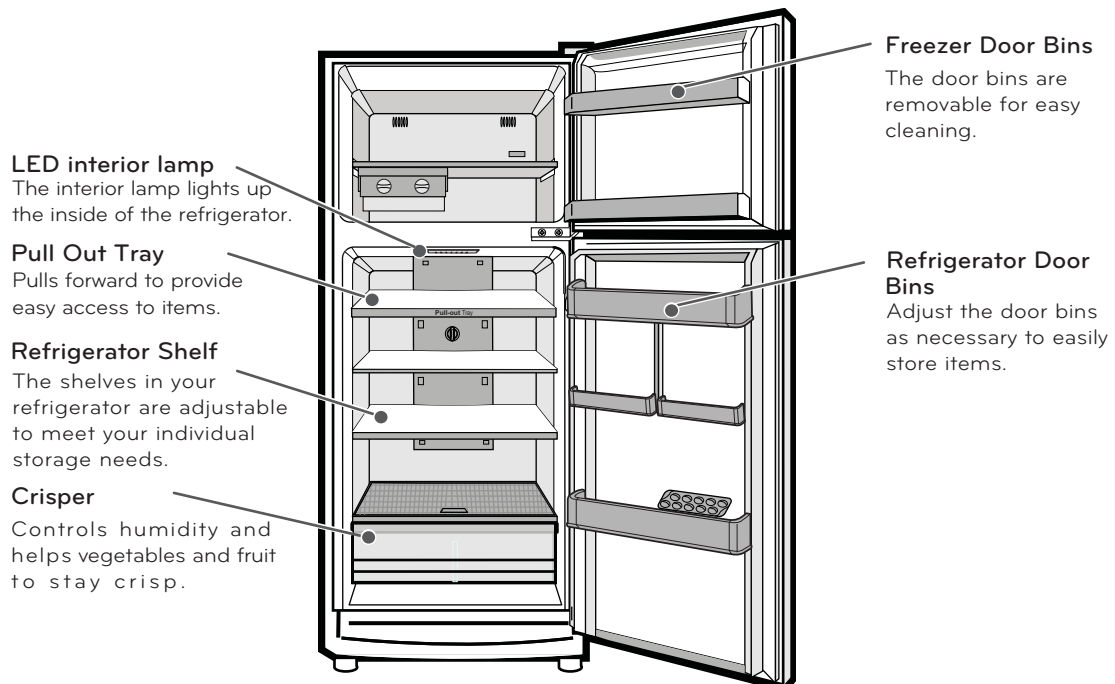
COMPONENTS

Use this page to become more familiar with the parts and features of your refrigerator.

Refrigerator Exterior



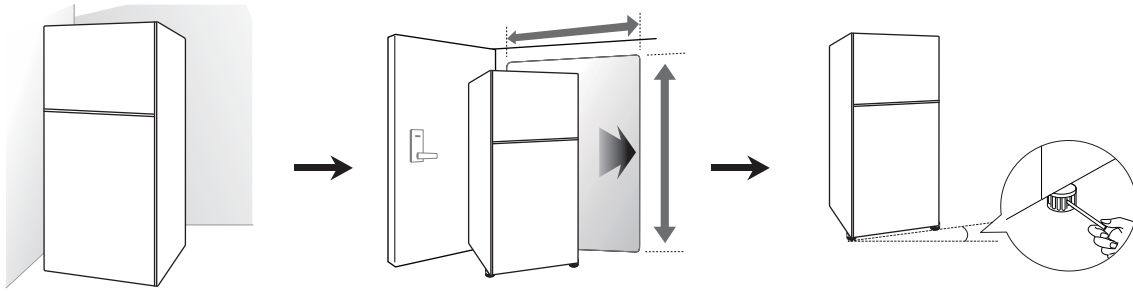
Refrigerator Interior



INSTALLATION

Installation Overview

Please read the following installation instructions first after purchasing this product or transporting it to another location.



1 Unpacking your refrigerator

2 Choosing the proper location

3 Leveling and Door Alignment

This appliance is intended to be used in household and similar applications such as:

- Staff kitchen areas in shops, offices and other working environments; farm houses and by clients in hotels, motels and others residential type environments.
- Bed and breakfast type environments; catering and similar non-retail applications.

Specifications

The appearance and specifications listed in this manual may vary due to constant product improvements.

Dimensions	Width 24 in (610 mm)	Depth 26 in (661 mm)	Height 66 1/2 in (1690 mm)
Net Weight	562 kg (124 lb.)		

Unpacking Your Refrigerator

WARNING

- Use two or more people to move and install the refrigerator. Failure to do so can result in back or other injury.
- Your refrigerator is heavy. When moving the refrigerator for cleaning or service, be sure to protect the floor. Always pull the refrigerator straight out when moving it. Do not wiggle or walk the refrigerator when trying to move it, as floor damage could occur.
- Keep flammable materials and vapors, such as gasoline, away from the refrigerator. Failure to do so can result in fire, explosion, or death.

Remove tape and any temporary labels from your refrigerator before using. Do not remove any warning-type labels, the model and serial number labels.

To remove any remaining tape or glue, rub the area briskly with your thumb. Tape or glue residue can also be easily removed by rubbing a small amount of liquid dish soap over the adhesive with your fingers. Wipe with warm water and dry.

Do not use sharp instruments, rubbing alcohol, flammable fluids, or abrasive cleaners to remove tape or glue. These products can damage the surface of your refrigerator.

Refrigerator shelves are installed in the shipping position. Please reinstall shelves according to your individual storage needs.

Choosing the Proper Location

- The refrigerator should always be plugged into its own individual properly grounded electrical outlet rated for 115V~60 Hz, AC only, and fused at 15 A.
- This provides the best performance and also prevents overloading house wiring circuits which could cause a fire hazard from overheated wires. It is recommended that a separate circuit serving only this appliance be provided.

WARNING

To reduce the risk of electric shock, do not install the refrigerator in a wet or damp area.

Flooring

To avoid noise and vibration, the unit must be leveled and installed on a solidly constructed floor. If required, adjust the leveling legs to compensate for unevenness of the floor. The front should be slightly higher than the rear to aid in door closing. Leveling legs can be turned easily by tipping the cabinet slightly. Turn the leveling legs to the left to raise the unit or to the right to lower it (See Leveling section).

NOTE

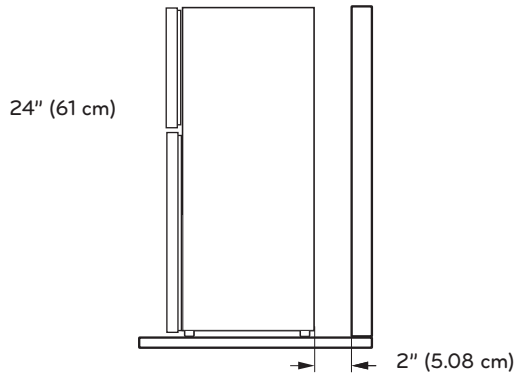
Installing on carpeting, soft tile surfaces, a platform or weakly supported structure is not recommended.

Ambient Temperature

Install this appliance in an area where the temperature is between 55°F (13°C) and 110°F (43°C). If the temperature around the appliance is too low or high, cooling ability may be adversely affected.

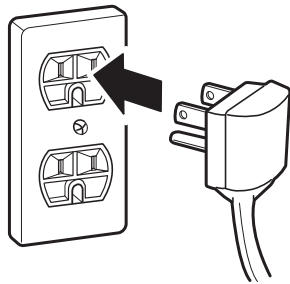
Measuring the Clearances

Too small of a distance from adjacent items may result in lowered freezing capability and increased electricity consumption charges. Allow at least 24 inches (61 cm) in front of the refrigerator to open the doors, and at least 2 inches (5.08 cm) between the back of the refrigerator and the wall.



Turning On The Power

- 1 Plug in the refrigerator.



CAUTION

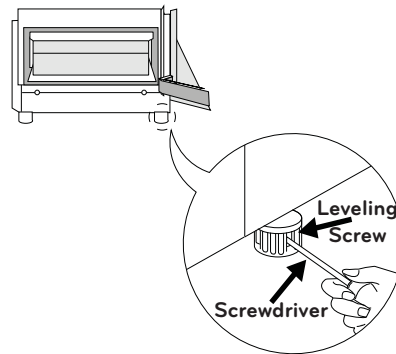
- Connect to a rated power outlet.
- Have a certified electrician check the wall outlet and wiring for proper grounding.
- Do not damage or cut off the ground terminal of the power plug.

Leveling

After installing, plug the refrigerator's power cord into a 3-prong grounded outlet and push the refrigerator into the final position.

Your refrigerator has two front leveling legs (one on the right side and one on the left). Adjust the legs to alter the tilt from front-to-front or side-to-side. If the refrigerator seems unsteady, or you want the doors to close more easily, adjust the refrigerator's tilt using the instructions below:

1. Turn the leveling legs by inserting a flat blade screwdriver in the holes located in the leveling screws. Turn the leg clockwise (➡) to raise that side of the refrigerator or counterclockwise (↩) to lower it. It may take several turns of the leveling leg to adjust the tilt of the refrigerator.



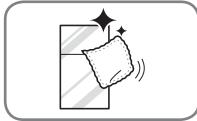
NOTE

Having someone push backward against the top of the refrigerator takes some weight off the leveling legs. This makes it easier to adjust the legs.

2. Open both doors again and check to make sure that they close easily. If the doors do not close easily, tilt the refrigerator slightly more to the rear by turning both leveling legs counterclockwise. It may take several more turns, and you should turn both leveling legs the same amount.

HOW TO USE

Before use



Clean the refrigerator.

Clean your refrigerator thoroughly and wipe off all dust that accumulated during shipping.



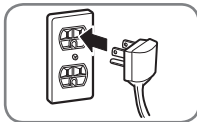
CAUTION

- Do not scratch the refrigerator with a sharp object or use a detergent that contains alcohol, a flammable liquid or an abrasive when removing any tape or adhesive from the refrigerator.
- Do not peel off the model or serial number label or the technical information on the rear surface of the refrigerator.



NOTE

Remove adhesive residue by wiping it off with your thumb or dish detergent.



Connect the power supply.

Check if the power supply is connected before use.
Read the "Turning On The Power" section.

Wait for the refrigerator to cool.

Allow your refrigerator to run for at least two to three hours before putting food in it. Check the flow of cold air in the freezer compartment to ensure proper cooling.



CAUTION

Putting food in the refrigerator before it has cooled could cause the food to spoil, or a bad odor could remain inside the refrigerator.

The refrigerator makes a loud noise after initial operation.

This is normal. The volume will decrease as the temperature lowers.

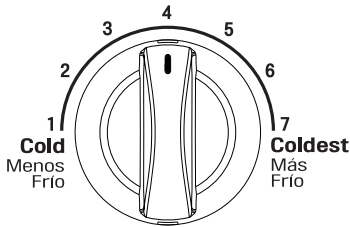


Open refrigerator doors to ventilat the interior.

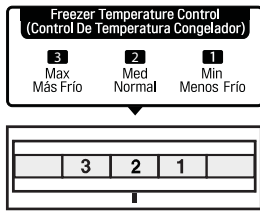
The inside of the refrigerator may smell like plastic at first. Remove any adhesive tape from inside the refrigerator and open the refrigerator doors for ventilation.

Control Pad

Control Pad Features



Controls the temperature of the refrigerator compartment. Turn the knob to the desired setting (from 1 to 7).



Controls the flow of cold air from freezer into the refrigerator. Change the control by gently sliding it. The arrow indicates the setting selected (from 1 to 3).

Adjust the temperature controls depending on the amount of stored food, using the suggested settings below:

Amount of Stored Food			
Control of:	Large Amount	Regular Amount	Small Amount
Freezer	<p>Set to 2</p>	<p>Set to 2</p>	<p>Set to 1</p>
Refrigerator	<p>Set to 7</p>	<p>Set to 4</p>	<p>Set to 1</p>

NOTE

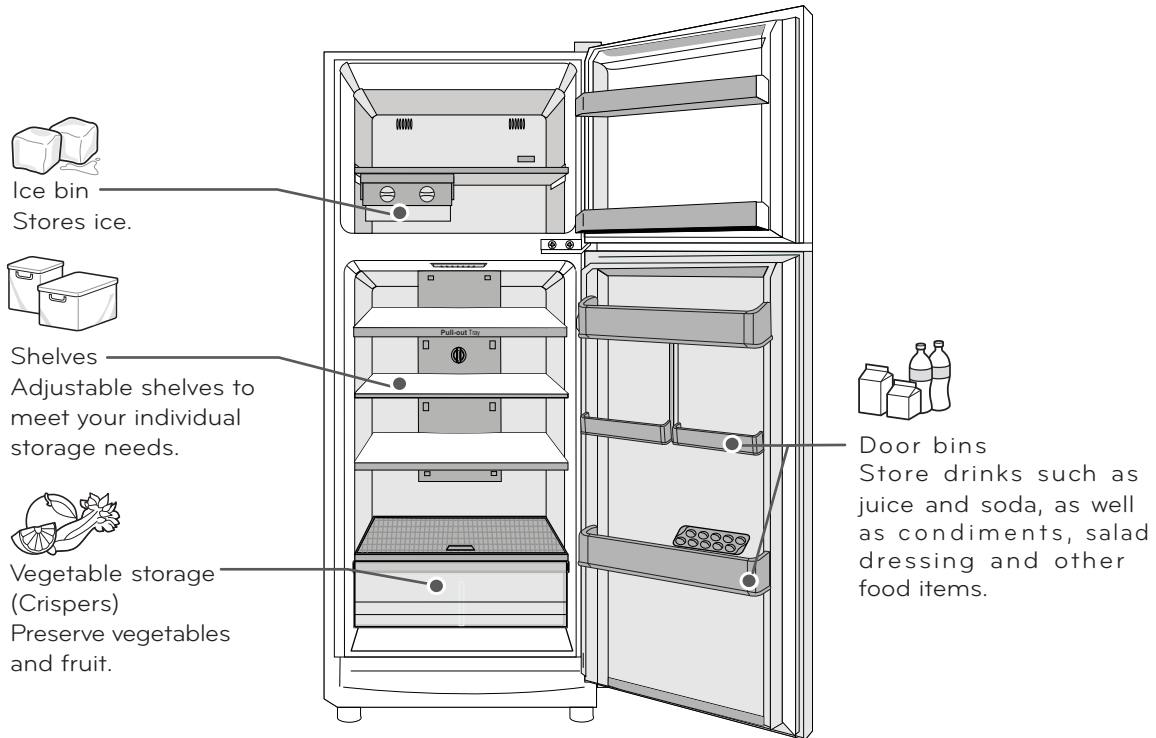
Keep the temperature controls clear of food packages, which might knock into them and change the temperature settings.

Storing Food

Food Preservation Location

Each compartment inside the refrigerator is designed to store different types of food.

Store your food in the optimal space to enjoy the freshest taste.



CAUTION

- Do not store food with high moisture content towards the top of the refrigerator. The moisture could come in direct contact with the cold air and freeze.
- Wash food before storing it in the refrigerator. If necessary, rinse and thoroughly pat dry vegetables and fruit to remove obvious soil, juice, or blemished areas, and wipe down food packaging to prevent adjacent foods from being contaminated.
- If the refrigerator is kept in a hot and humid place, frequent opening of the door or storing a lot of vegetables in the refrigerator may cause condensation to form. Wipe off the condensation with a clean cloth or a paper towel.
- If the refrigerator door or freezer door is opened too often, warm air may penetrate the refrigerator and raise its temperature. This can increase the running costs of the unit.



NOTE

- If you are leaving home for a short period of time, like a short vacation, the refrigerator should be left on. Refrigerated foods that are able to be frozen will stay preserved longer if stored in the freezer.
- If you are leaving the refrigerator turned off for an extended period of time, remove all food and unplug the power cord. Clean the interior, and leave the door open to prevent fungi from growing in the refrigerator.

Food Storage Tips

*The following tips may not be applicable depending on the model.

Wrap or store food in the refrigerator in airtight and moisture-proof material unless otherwise noted. This prevents food odor and taste transfer throughout the refrigerator. For dated products, check date code to ensure freshness.

Food	How To
Butter or Margarine	Keep opened butter in a covered dish or closed compartment. When storing an extra supply, wrap in a freezer packaging and freeze.
Cheese	Store in the original wrapping until you are ready to use it. Once opened, rewrap tightly in plastic wrap or aluminum foil.
Milk	Wipe milk cartons. For coldest milk, place containers on an interior shelf.
Eggs	Store in original carton on interior shelf, not on door shelf.
Fruit	Do not wash or hull the fruit until it is ready to be used. Sort and keep fruit in its original container, in a crisper, or store in a completely closed paper bag on a refrigerator shelf.
Leafy Vegetables	Remove store wrapping and trim or tear off bruised and discolored areas. Wash in cold water and drain. Place in plastic bag or plastic container and store in crisper.
Vegetables with skins (carrots, peppers)	Place in plastic bags or plastic container and store in crisper.
Fish	Store fresh fish and shellfish in the freezer section if they are not being consumed the same day of purchase. It is recommended to consume fresh fish and shellfish the same day purchased.
Leftovers	Cover leftovers with plastic wrap or aluminum foil, or store in plastic containers with tight lids.

Storing Frozen Food



NOTE

Check a freezer guide or a reliable cookbook for further information about preparing food for freezing or food storage times.

Freezing

Your freezer will not quick-freeze a large quantity of food. Do not put more unfrozen food into the freezer than will freeze within 24 hours [no more than 2 lbs (0,9 kg) to 3 lbs (1,3 kg) of food per cubic foot or freezer space]. Leave enough space in the freezer for air to circulate around packages. Be careful to leave enough room at the front so the door can close tightly.

Storage times will vary according to the quality and type of food, the type of packaging or wrap used (how airtight and moisture-proof) and the storage temperature. Ice crystals inside a sealed package are normal. This simply means that moisture in the food and air inside the package have condensed, creating ice crystals.



NOTE

Allow hot foods to cool at room temperature for 30 minutes, then package and freeze. Cooling hot foods before freezing saves energy.

Packaging

Successful freezing depends on correct packaging. When you close and seal the package, it must not allow air or moisture in or out. If it does, you could have food odor and taste transfer throughout the refrigerator and could also dry out frozen food.

Packaging recommendations:

- Rigid plastic containers with tight-fitting lids.
- Straight-sided canning/freezing jars.
- Heavy-duty aluminum foil.
- Plastic-coated paper.
- Non-permeable plastic wraps.
- Specified freezer-grade self-sealing plastic bags.

Follow package or container instructions for proper freezing methods

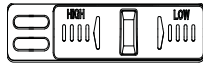
Do not use:

- Bread wrappers.
- Non-polyethylene plastic containers.
- Containers without tight lids.
- Wax paper or wax-coated freezer wrap.
- Thin, semi-permeable wrap.

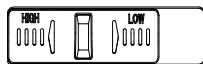
Humidity Controlled Crisper

The crispers provide fresher tasting fruit and vegetables by letting you easily control humidity inside the drawer.

You can control the amount of humidity in the moisture-sealed crispers by adjusting the control to any setting between High and Low.



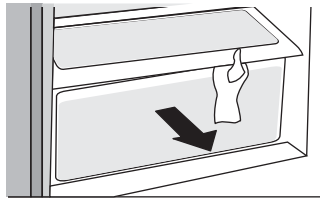
High lets moist air out of the crisper for best storage of fruit.



Low keeps moist air in the crisper for best storage of fresh, leafy vegetables.

To remove the crisper, follow these instructions:

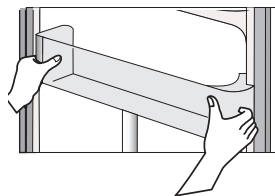
- Pull out the crisper to full extension, lift the front up, and pull straight out.
- To install the crisper, slightly tilt up the front, insert the drawer into the frame and push it back into place.



Door Bins

The door bins are removable for easy cleaning and adjustment.

- To remove the bin, simply lift the bin up and pull straight out.
- To replace the bin, slide it in above the desired support and push down until it snaps into place.



⚠ CAUTION

- Do not apply excessive force while detaching or assembling the storage bins.
- Do not use the dishwasher to clean the storage bins and shelves.
- Regularly detach and wash the storage bins and shelves, they can become easily contaminated by the food.

Adjusting the Refrigerator Shelves

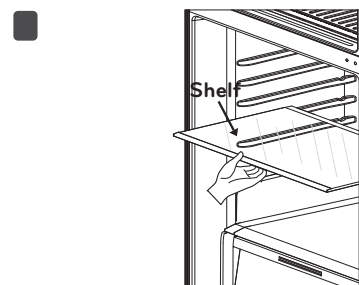
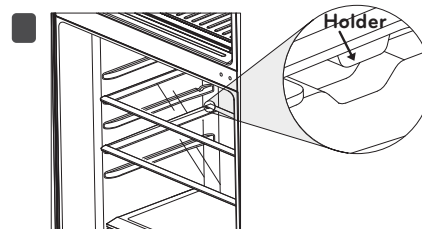
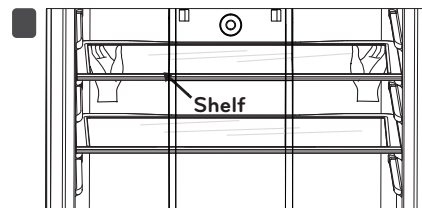
The shelves in your refrigerator are adjustable to meet your individual storage needs.

Adjusting the shelves to fit items of different heights will make finding the exact item you want easier. Doing so will also reduce the amount of time the refrigerator door is open which will save energy.

Detaching the Shelf

In order to remove the refrigerator shelves follow these instructions:

- 1 Lift the back of the shelf from below.
- 2 Use enough force to lift the shelf and release it from the holders.
- 3 Slide the shelf forward to remove it completely.



⚠ CAUTION

- Do not clean glass shelves with warm water while they are cold. Shelves may break if they're exposed to sudden temperature changes or impact.
- Glass shelves are heavy. Use special care when removing them.

MAINTENANCE

Cleaning

- Both the refrigerator and freezer sections defrost automatically; however clean both sections about once a month to prevent odors.
- Wipe up spills immediately.
- Always unplug the refrigeration before cleaning.

General Cleaning Tips

- Unplug refrigerator or disconnect power.
- Remove all removable parts, such as shelves, crispers, etc.
- Use a clean sponge or soft cloth and a mild detergent in warm water. Do not use abrasive or harsh cleaners.
- Hand wash, rinse and dry all surfaces thoroughly.

Exterior

Waxing external painted metal surfaces helps provide rust protection. Do not wax plastic parts. Wax painted metal surfaces at least twice a year using appliance wax (or auto paste wax). Apply wax with a clean, soft cloth.

For products with a stainless steel exterior, use a clean sponge or soft cloth and a mild detergent in warm water. Do not use abrasive or harsh cleaners. Dry thoroughly with a soft cloth.



CAUTION

- Do not use a rough cloth or sponge when cleaning the interior and exterior of the refrigerator.
- Do not place your hand on the bottom surface of the refrigerator when opening and closing.



WARNING

Use non-flammable cleaner. Failure to do so can result in fire, explosion, or death.

Inside Walls (allow freezer to warm up so the cloth will not stick)

To help remove odors, you can wash the inside of the refrigerator with a mixture of baking soda and warm water. Mix 2 tablespoons of baking soda to 1 quart of water (26 g soda to 1 liter water). Be sure the baking soda is completely dissolved so it does not scratch the surfaces of the refrigerator.

Door Liners and Gaskets

Use a clean sponge or soft cloth and a mild detergent in warm water. Do not use cleaning waxes, concentrated detergents, bleaches, or cleaners containing petroleum on plastic refrigerator parts.

Plastic Parts (covers and panels)

Use a clean sponge or soft cloth and a mild detergent in warm water. Do not use window sprays, abrasive cleansers, or flammable fluids. These can scratch or damage the material.

Light (LED) replacement

Note: Do not remove the LED, it is only to be removed by a qualified technician.



WARNING

In case of replacement, the new lamp should be same specification as the original.

SMART DIAGNOSIS™

Should you experience any problems with your refrigerator, it has the capability of transmitting data via your telephone to the LG service center. This gives you the capability of speaking directly to our trained specialists. The specialist records the data transmitted from your machine and uses it to analyze the issue, providing a fast and effective diagnosis.

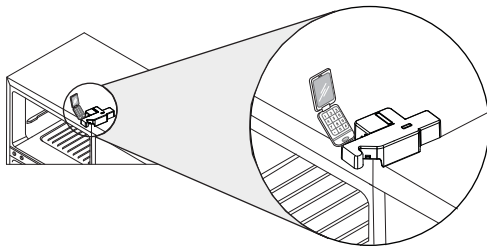
If you experience problems with your refrigerator, call to the LG Service Center. Only use this feature when is instructed to do so by the LG call center agent. The transmission sounds that you will hear are normal and sound similar to a fax machine.

Smart Diagnosis™ cannot be activated unless your refrigerator is connected to power. If your refrigerator is unable to turn on, then troubleshooting must be done without using Smart Diagnosis™.

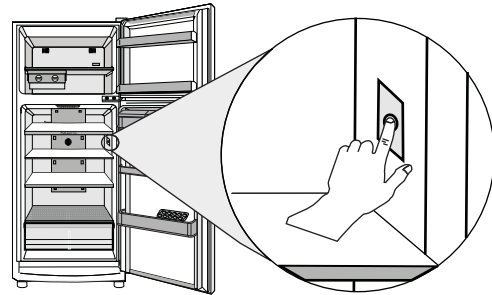
Using Smart Diagnosis™

First, call to the LG Service Center. Only use the Smart Diagnosis™ feature when is instructed to do so by the LG call center agent.

- 1 Open the refrigerator door.
- 2 Hold the mouthpiece of your phone in front of the speaker that is located on the right hinge of the refrigerator door, when instructed to do so by the call center.



- 3 Press the refrigerator door open detection switch 5 times as in the figure to make the light inside the compartment blink.



- 4 Keep the phone in place until the tone transmission has finished. Once the data transmission is completed and the tones have stopped, resume your conversation with the specialist, who will then be able to assist you in using the information transmitted for analysis.

NOTE

- For best results, do not move the phone while the tones are being transmitted.
- If the call center agent is not able to get an accurate recording of the data, you may be asked to try again.

NOTE

- Call quality differences by region may affect the function.
- Use the home telephone for better communication performance, resulting in better service.
- Bad call quality may result in poor data transmission from your phone to the machine, which could cause Smart Diagnosis™ to malfunction.

TROUBLESHOOTING

Review the Troubleshooting section before calling for service; doing so will save you both time and money.

Problem	Possible Causes	Solutions
Refrigerator and Freezer section are not cooling.	The refrigerator control is set to OFF (some models).	Turn the control ON. Refer to the Setting the Controls section for proper temperature settings.
	Refrigerator is in the defrost cycle.	During the defrost cycle, the temperature of each compartment may rise slightly. Wait 30 minutes and confirm the proper temperature has been restored once the defrost cycle has completed.
	Refrigerator was recently installed.	It may take up to 24 hours for each compartment to reach the desired temperature.
	Refrigerator was recently relocated.	If the refrigerator was stored for a long period of time or moved on its side, it is necessary for the refrigerator to stand upright for 24 hours before connecting it to power.
Cooling System runs too much.	Refrigerator is replacing an older model.	Modern refrigerators require more operating time but use less energy due to more efficient technology.
	Refrigerator was recently plugged in or power restored.	The refrigerator will take up to 24 hours to cool completely.
	The door is opened often or a large amount of food / hot food was added.	Adding food and opening the door warms the refrigerator, requiring the compressor to run longer in order to cool the refrigerator back down. In order to conserve energy, try to get everything you need out of the refrigerator at once, keep food organized so it is easy to find, and close the door as soon as the food is removed (Refer to the Food Storage Guide).
	Doors are not closed completely.	Firmly push the doors shut. If they will not shut all the way, see the Doors will not close completely or pop open section in Troubleshooting.
	Refrigerator is installed in a hot location.	The compressor will run longer under warm conditions. At normal room temperatures 70°F (21 °C) expect your compressor to run about 40% to 80% of the time. Under warmer conditions, expect it to run even more often. The refrigerator should not be operated above 110°F (43 °C).

Problem	Possible Causes	Solutions
Refrigerator or Freezer section is too warm.	Refrigerator was recently installed.	It may take up to 24 hours for each compartment to reach the desired temperature.
	The air vents are blocked. Cold air circulates from the freezer to the fresh food section and back again through air vents in the wall dividing the two sections.	Locate air vents by using your hand to sense airflow and move all packages that block vents and restrict airflow. Rearrange items to allow air to flow throughout the compartment.
	Doors are opened often or for long periods of time.	When the doors are opened often or for long periods of time, warm, humid air enters the compartment. This raises the temperature and moisture level within the compartment. To lessen the effect, reduce the frequency and duration of door openings.
	Unit is installed in a hot location.	The refrigerator should not be operated in temperatures above 110°F (43 °C).
	A large amount of food or hot food was added to either compartment.	Adding food warms the compartment requiring the cooling system to run. Allowing hot food to cool to room temperature before putting it in the refrigerator will reduce this effect.
	Doors not closed correctly.	See the Doors will not close correctly or pop open section in Troubleshooting.
	Temperature control is not set correctly.	If the temperature is too warm, adjust the control one increment at a time and wait for the temperature to stabilize. Refer to the Control Pad section for more information.
	Defrost cycle has recently completed.	During the defrost cycle, the temperature of each compartment may rise slightly and condensation may form on the back wall. Wait 30 minutes and confirm the proper temperature has been restored once the defrost cycle has completed.
Interior moisture buildup.	Doors are opened often or for long periods of time.	When the doors are opened often or for long periods of time, warm, humid air enters the compartment. This raises the temperature and moisture level within the compartment. To lessen the effect, reduce the frequency and duration of door openings.
	Doors not closed correctly.	See the Doors will not close correctly section in the Troubleshooting section.
	Weather is humid.	Humid weather allows additional moisture to enter the compartments when the doors are opened leading to condensation or frost. Maintaining a reasonable level of humidity in the home will help to control the amount of moisture that can enter the compartments.

Problem	Possible Causes	Solutions
Interior moisture buildup.	Defrost cycle recently completed.	During the defrost cycle, the temperature of each compartment may raise slightly and condensation may form on the back wall. Wait 30 minutes and confirm that the proper temperature has been restored once the defrost cycle has completed.
	Food is not packaged correctly.	Food stored uncovered or unwrapped, and damp containers can lead to moisture accumulation within each compartment. Wipe all containers dry and store food in sealed packaging to prevent condensation and frost.
Food is freezing in the refrigerator compartment.	Food with high water content was placed near an air vent.	Rearrange items with high water content away from air vents.
	Refrigerator temperature control is set incorrectly.	If the temperature is too cold, adjust the control one increment at a time and wait for the temperature to stabilize. Refer to the Control Pad section for more information.
	Refrigerator is installed in a cold location.	When the refrigerator is operated in temperatures below 41°F (5°C), food can freeze in the refrigerator compartment. The refrigerator should not be operated in temperatures below 55°F (13°C).
Frost or ice crystals form on frozen food (outside of package).	Door is opened frequently or for long periods of time.	When the doors are opened often or for long periods of time, warm, humid air enters the compartment. This raises the temperature and moisture level within the compartment. Increased moisture will lead to frost and condensation. To lessen the effect, reduce the frequency and duration of door openings.
	Door is not closing properly.	Refer to the Doors will not close correctly or pop open section in the Troubleshooting section.
Refrigerator or Freezer section is too cold.	Incorrect temperature control settings.	If the temperature is too cold, adjust the control one increment at a time and wait for the temperature to stabilize. Refer to the Control Pad section for more information.
Frost or ice crystals on frozen food (inside of sealed package).	Condensation from food with a high water content has frozen inside of the food package.	This is normal for food items with a high water content.
	Food has been left in the freezer for a long period of time.	Do not store food items with high water content in the freezer for a long period of time.
Ice has bad taste or odor.	The food has not been stored properly in either compartment.	Rewrap the food. Odors may migrate to the ice if food is not wrapped properly.
	The interior of the refrigerator needs to be cleaned.	See the Cleaning section for more information.

Problem	Possible Causes	Solutions
Ice has bad taste or odor.	The ice storage bin needs to be cleaned.	Empty and wash the bin (discard old cubes). Make sure that the bin is completely dry before reinstalling it.
Clicking	The defrost control will click when the automatic defrost cycle begins and ends. The (thermostat control or refrigerator control on some models) will also click when cycling on and off.	Normal Operation.
Rattling	Rattling noises may come from the flow of refrigerant, or items stored on top of or around the refrigerator.	Normal Operation.
	Refrigerator is not resting solidly on the floor.	Floor is weak or uneven or leveling legs need to be adjusted. See the Leveling section.
	Refrigerator with linear compressor was jarred while running.	Normal Operation.
Whooshing	Evaporator fan motor is circulating air through the refrigerator and freezer compartments.	Normal Operation.
	Air is being forced over the condenser by the condenser fan.	Normal Operation.
Gurgling	Refrigerant flowing through the cooling system.	Normal Operation.
Popping	Contraction and expansion of the inside walls due to changes in temperature.	Normal Operation.
Sizzling	Water dripping on the defrost heater during a defrost cycle.	Normal Operation.
Vibrating	If the side or back of the refrigerator is touching a cabinet or wall, some of the normal vibrations may make an audible sound.	To eliminate the noise, make sure that the sides and back cannot vibrate against any wall or cabinet.
Dripping	Water running into the drain pan during the defrost cycle.	Normal Operation
Pulsating or High-Pitched Sound	Your refrigerator is designed to run more efficiently to keep your food items at the desired temperature. The high efficiency compressor may cause your new refrigerator to run longer than your old one, but it is still more energy efficient than previous models. While the refrigerator is running, it is normal to hear a pulsating or high-pitched running, it is normal to hear a sound.	Normal Operation

Problem	Possible Causes	Solutions
Doors will not close correctly or pop open.	Food packages are blocking the door open.	Rearrange food containers to clear the door and door shelves.
	Ice bin, crisper cover, pans, shelves, door bins, or baskets are out of position.	Push bins all the way in and put crisper cover, pans, shelves and baskets into their correct positions. See the How to Use section for more information.
	Refrigerator is not leveled properly.	See Leveling in the Refrigeration Installation section to level refrigerator.
Doors are difficult to open.	The gaskets are dirty or sticky.	Clean the gaskets and the surfaces that they touch. Rub a thin coat of appliance polish or kitchen wax on the gaskets after cleaning.
	Door was recently closed.	When you open the door, warmer air enters the refrigerator. As the warm air cools, it can create a vacuum. If the door is hard to open, wait one minute to allow the air pressure to equalize, then see if it opens more easily.
Refrigerator wobbles or seems unstable.	Leveling legs are not adjusted properly.	Refer to the Leveling section.
	Floor is not level.	It may be necessary to add shims under the leveling legs or rollers to complete installation.
Lights do not work.	LED interior lighting failure.	The refrigerator compartment lamp is LED interior lighting, and service should be performed by a qualified technician.
The interior of the refrigerator is covered with dust or soot.	The refrigerator is located near a fire source, such as fireplace, chimney, or candle.	Make sure that the refrigerator is not located near a fire source, such as a fireplace, chimney or candle.

**LG ELECTRONICS U.S.A., INC.
LG REFRIGERATOR LIMITED WARRANTY - U.S.A.**

ARBITRATION NOTICE: THIS LIMITED WARRANTY CONTAINS AN ARBITRATION PROVISION THAT REQUIRES YOU AND LG TO RESOLVE DISPUTES BY BINDING ARBITRATION INSTEAD OF IN COURT, UNLESS YOU CHOOSE TO OPT OUT. IN ARBITRATION, CLASS ACTIONS AND JURY TRIALS ARE NOT PERMITTED. PLEASE SEE THE SECTION TITLED "PROCEDURE FOR RESOLVING DISPUTES" BELOW. Should your LG Refrigerator ("Product") fail due to a defect in materials or workmanship under normal and proper use, during the warranty period set forth below, LG Electronics ("LG") will, at its option, repair or replace the Product. This limited warranty is valid only to the original retail purchaser of the Product and applies only when purchased and used within the United States including U.S. Territories.

ENGLISH

WARRANTY PERIOD			
Refrigerator/Freezer	Sealed System (Condenser, Dryer, Connecting Tube and Evaporator)	Compressor	
One (1) year from the date of original retail purchase	Five (5) years from the date of original retail purchase	Five (5) years from the date of original retail purchase	Linear / Inverter Compressor Only : Parts Only for years 6-10 from the date of original retail purchase (Consumer will be charged for labor)
Parts and Labor (internal/ functional parts only)	Parts and Labor	Parts and Labor	

- Replacement products and parts are warranted for the remaining portion of the original warranty period or ninety (90) days, whichever is greater.
- Replacement products and parts may be new, reconditioned, refurbished, or otherwise factory remanufactured.
- Proof of original retail purchase specifying the Product model and date of purchase is required to obtain warranty service under this limited warranty.

EXCEPT TO THE EXTENT PROHIBITED BY APPLICABLE LAW, ANY IMPLIED WARRANTY OF MERCHANTABILITY OR FITNESS FOR A PARTICULAR PURPOSE ON THE PRODUCT IS LIMITED IN DURATION TO THE DURATION OF THE ABOVE LIMITED WARRANTY. UNDER NO CIRCUMSTANCES SHALL LG OR ITS U.S. DISTRIBUTORS/DEALERS BE LIABLE FOR ANY INDIRECT, INCIDENTAL, CONSEQUENTIAL, SPECIAL, OR PUNITIVE DAMAGES, INCLUDING, WITHOUT LIMITATION, LOST GOODWILL, LOST REVENUES OR PROFITS, WORK STOPPAGE, IMPAIRMENT OF OTHER GOODS, COST OF REMOVAL AND REINSTALLATION OF THE PRODUCT, LOSS OF USE, OR ANY OTHER DAMAGES WHETHER BASED IN CONTRACT, TORT, OR OTHERWISE. LG'S TOTAL LIABILITY, IF ANY, SHALL NOT EXCEED THE PURCHASE PRICE PAID BY YOU FOR THE PRODUCT.

Some states do not allow the exclusion or limitation of incidental or consequential damages or limitations on how long an implied warranty lasts, so the above exclusions or limitations may not apply to you. This limited warranty gives you specific legal rights and you may also have other rights that vary from state to state.

THIS LIMITED WARRANTY DOES NOT COVER:

- Service trips to deliver, pick up, or install, educate how to operate, correct wiring, or correct unauthorized repairs.
- Damage or failure of the Product to perform during power failures and interrupted or inadequate electrical service.
- Damage or failure caused by leaky or broken water pipes, frozen water pipes, restricted drain lines, inadequate or interrupted water supply or inadequate supply of air.
- Damage resulting from operating the product in a corrosive atmosphere or contrary to the product owner's manual.
- Damage or failure to the Product caused by accidents, pests and vermin, lightning, wind, fire, floods, acts of God, or any other causes beyond the control of LG.
- Damage or failure caused by unauthorized modification or alteration, or if used for other the intended purpose.
- Damage or failure resulting from misuse, abuse, improper installation, repair, or maintenance. Improper repair includes use of parts not authorized by LG. Improper installation or maintenance includes installation or maintenance contrary to the Product owner's manual.
- Damage or failure caused by incorrect electrical current, voltage, or plumbing codes.
- Damage or failure caused by transportation and handling, including scratches, dents, chips, and/or other damage to the finish of the product, unless such damage is reported within one (1) week of delivery.
- Damage or missing items to any display, open box, or discounted Product.
- Refurbished Product or any Product sold "As Is", "Where Is", "With all Faults", or similar disclaimer.
- Products with original serial numbers that have been removed, altered, or cannot be readily determined.
- Increases in utility costs and additional utility expenses.
- Any noises associated with normal operation.
- Use of accessories (e.g., water filters, etc.), components, or consumable cleaning products that are not authorized by LG.
- Replacement or light bulbs, filters, or any consumable parts.
- When Product is used for other than normal and proper household use (e.g. commercial or industrial use, offices, and recreational facilities or vehicles) or contrary to the instructions outlined in the Product's owner's manual.
- Costs associated with removal and reinstallation of your Product for repairs.
- Shelves, door bins, drawers, handle and accessories, except for internal/functional parts covered under this limited warranty.

The cost of repair or replacement under these excluded circumstances shall be borne by the consumer.

TO OBTAIN WARRANTY SERVICE AND ADDITIONAL INFORMATION Call 1-800-243-0000 and select the appropriate option from the menu. Or visit our website at <http://www.lg.com>. Or by mail: LG Electronics Customer Service P.O. Box 240007 Huntsville, AL 35813 ATTN: CIC

24 LIMITED WARRANTY

ENGLISH

PROCEDURE FOR RESOLVING DISPUTES:

ALL DISPUTES BETWEEN YOU AND LG ARISING OUT OF OR RELATING IN ANY WAY TO THIS LIMITED WARRANTY OR THE PRODUCT SHALL BE RESOLVED EXCLUSIVELY THROUGH BINDING ARBITRATION, AND NOT IN A COURT OF GENERAL JURISDICTION. BINDING ARBITRATION MEANS THAT YOU AND LG ARE EACH WAIVING THE RIGHT TO A JURY TRIAL AND TO BRING OR PARTICIPATE IN A CLASS ACTION.

Definitions. For the purposes of this section, references to "LG" mean LG Electronics U.S.A., Inc., its parents, subsidiaries and affiliates, and each of their officers, directors, employees, agents, beneficiaries, predecessors in interest, successors, assigns and suppliers; references to "dispute" or "claim" shall include any dispute, claim or controversy of any kind whatsoever (whether based in contract, tort, statute, regulation, ordinance, fraud, misrepresentation or any other legal or equitable theory) arising out of or relating in any way to the sale, condition or performance of the product or this Limited Warranty.

Notice of Dispute. In the event you intend to commence an arbitration proceeding, you must first notify LG in writing at least 30 days in advance of initiating the arbitration by sending a letter to LG at LG Electronics, USA, Inc. Attn: Legal Department-Arbitration 1000 Sylvan Ave, Englewood Cliffs 07632. You and LG agree to engage in good faith discussions in an attempt to amicably resolve your claim. The notice must provide your name, address, and telephone number; identify the product that is the subject of the claim; and describe the nature of the claim and the relief being sought. If you and LG are unable to resolve the dispute within 30 days, either party may proceed to file a claim for arbitration.

Agreement to Binding Arbitration and Class Action Waiver. Upon failure to resolve the dispute during the 30 day period after sending written notice to LG, you and LG agree to resolve any claims between us only by binding arbitration on an individual basis, unless you opt out as provided below. Any dispute between you and LG shall not be combined or consolidated with a dispute involving any other person's or entity's product or claim. More specifically, without limitation of the foregoing, any dispute between you and LG shall not under any circumstances proceed as part of a class or representative action. Instead of arbitration, either party may bring an individual action in small claims court, but that small claims court action may not be brought on a class or representative basis.

Arbitration Rules and Procedures. To begin arbitration of a claim, either you or LG must make a written demand for arbitration. The arbitration will be administered by the American Arbitration Association ("AAA") and will be conducted before a single arbitrator under the AAA's Consumer Arbitration Rules that are in effect at the time the arbitration is initiated (referred to as the "AAA Rules") and under the procedures set forth in this section. The AAA Rules are available online at www.adr.org/consumer. Send a copy of your written demand for arbitration, as well as a copy of this provision, to the AAA in the manner described in the AAA Rules. You must also send a copy of your written demand to LG at LG Electronics, USA, Inc. Attn: Legal Department- Arbitration 1000 Sylvan Avenue Englewood Cliffs, NJ 07632. If there is a conflict between the AAA Rules and the rules set forth in this section, the rules set forth in this section will govern. This arbitration provision is governed by the Federal Arbitration Act. Judgment may be entered on the arbitrator's award in any court of competent jurisdiction. All issues are for the arbitrator to decide, except that issues relating to the scope and enforceability of the arbitration provision and to the arbitrability of the dispute are for the court to decide. The arbitrator is bound by the terms of this provision.

Governing Law. The law of the state of your residence shall govern this Limited Warranty and any disputes between us except to the extent that such law is preempted by or inconsistent with applicable federal law.

Fees/Costs. You do not need to pay any fee to begin an arbitration. Upon receipt of your written demand for AAA unless you seek more than \$25,000 in damages, in which case the payment of these fees will be governed by the AAA Rules. Except as otherwise provided for herein, LG will pay AAA filing, administration and arbitrator fees for any arbitration initiated in accordance with the AAA Rules and this arbitration provision. If you prevail in the arbitration, LG will pay your attorneys' fees and expenses as long as they are reasonable, by considering factors including, but not limited to, the purchase amount and claim amount. Notwithstanding the foregoing, if applicable law allows for an award of reasonable attorneys' fees and expenses, an arbitrator can award them to the same extent that a court would. If the arbitrator finds either the substance of your claim or the relief sought in the demand is frivolous or brought for an improper purpose (as measured by the standards set forth in Federal Rule of Civil Procedure 11(b)), then the payment of all arbitration fees will be governed by the AAA Rules. In such a situation, you agree to reimburse LG for all monies previously disbursed by it that are otherwise your obligation to pay under the AAA Rules. Except as otherwise provided for, LG waives any rights it may have to seek attorneys' fees and expenses from you if LG prevails in the arbitration.

Hearings and Location. If your claim is for \$25,000 or less, you may choose to have the arbitration conducted solely on the basis of (1) documents submitted to the arbitrator, (2) through a telephonic hearing, or (3) by an in-person hearing as established by the AAA Rules. If your claim exceeds \$25,000, the right to a hearing will be determined by the AAA Rules. Any in-person arbitration hearings will be held at a location within the federal judicial district in which you reside unless we both agree to another location or we agree to a telephonic arbitration.

Opt Out. You may opt out of this dispute resolution procedure. If you opt out, neither you nor LG can require the other to participate in an arbitration proceeding. To opt out, you must send notice to LG no later than 30 calendar days from the date of the first consumer purchaser's purchase of the product by either: (i) sending an e-mail to optout@lge.com, with the subject line: "Arbitration Opt Out" or (ii) calling 1-800-980-2973. You must include in the opt out e-mail or provide by telephone: (a) your name and address; (b) the date on which the product was purchased; (c) the product model name or model number; and (d) the serial number (the serial number can be found (i) on the product; or (ii) online by accessing <https://www.lg.com/us/support/repair-service/schedule-repair-continued> and clicking on "Find My Model & Serial Number").

You may only opt out of the dispute resolution procedure in the manner described above (that is, by e-mail or telephone); no other form of notice will be effective to opt out of this dispute resolution procedure. Opting out of this dispute resolution procedure will not affect the coverage of the Limited Warranty in any way, and you will continue to enjoy the full benefits of the Limited Warranty. If you keep this product and do not opt out, then you accept all terms and conditions of the arbitration provision described above.

**LG ELECTRONICS CANADA, INC.
LG REFRIGERATOR LIMITED WARRANTY - Canada**

ARBITRATION NOTICE: THIS LIMITED WARRANTY CONTAINS AN ARBITRATION PROVISION THAT REQUIRES YOU AND LG TO RESOLVE DISPUTES BY BINDING ARBITRATION INSTEAD OF IN COURT, UNLESS THE LAWS OF YOUR PROVINCE OR TERRITORY DO NOT PERMIT THAT, OR, IN OTHER JURISDICTIONS, IF YOU CHOOSE TO OPT OUT. IN ARBITRATION, CLASS ACTIONS AND JURY TRIALS ARE NOT PERMITTED. PLEASE SEE THE SECTION TITLED "PROCEDURE FOR RESOLVING DISPUTES" BELOW.

Should your LG Refrigerator ("Product") fail due to a defect in materials or workmanship under normal and proper use, during the warranty period set forth below, LG Electronics Canada, Inc. ("LGECI") will, at its option, repair or replace the Product upon receipt of proof of the original retail purchase. This limited warranty is valid only to the original retail purchaser of the Product and applies only to a Product distributed, purchased and used within Canada, as determined at the sole discretion of LGECI.

WARRANTY PERIOD (Note: If the original date of purchase cannot be verified, the warranty will begin sixty (60) days from the date of manufacture)			
Refrigerator	Sealed System (Condenser, Dryer, Connecting Tube and Evaporator)		Linear / Inverter Compressor
One (1) year from the date of original retail purchase	One (1) year from the date of original retail purchase	Seven (7) years from the date of original retail purchase	Ten (10) years from the date of original retail purchase
Parts and Labor (internal/functional parts only)	Parts and Labor	Parts only (Consumer will be charged for labor)	Part only (Consumer will be charged for labor)

- Replacement products and parts are warranted for the remaining portion of the original warranty period or ninety (90) days, whichever is greater.
- Replacement products and parts may be new, reconditioned, refurbished, or otherwise factory remanufactured, all at the sole discretion of LGECI.
- Proof of original retail purchase specifying the Product model and date of purchase is required to obtain warranty service under this Limited Warranty..

LGECI'S SOLE LIABILITY IS LIMITED TO THE LIMITED WARRANTY SET OUT ABOVE. EXCEPT AS EXPRESSLY PROVIDED ABOVE, LGECI MAKES NO, AND HEREBY DISCLAIMS, ALL OTHER WARRANTIES AND CONDITIONS RESPECTING THE PRODUCT, WHETHER EXPRESS OR IMPLIED, INCLUDING BUT NOT LIMITED TO, ANY IMPLIED WARRANTY OR CONDITION OF MERCHANTABILITY OR FITNESS FOR A PARTICULAR PURPOSE, AND NO REPRESENTATIONS SHALL BE BINDING ON LGECI. LGECI DOES NOT AUTHORIZE ANY PERSON TO CREATE OR ASSUME FOR IT ANY OTHER WARRANTY OBLIGATION OR LIABILITY IN CONNECTION WITH THE PRODUCT. TO THE EXTENT THAT ANY WARRANTY OR CONDITION IS IMPLIED BY LAW, IT IS LIMITED TO THE WARRANTY PERIOD SET OUT ABOVE. UNDER NO CIRCUMSTANCES SHALL LGECI, THE MANUFACTURER OR DISTRIBUTOR OF THE PRODUCT, BE LIABLE FOR ANY INCIDENTAL, CONSEQUENTIAL, SPECIAL, DIRECT, INDIRECT, PUNITIVE OR EXEMPLARY DAMAGES, INCLUDING, WITHOUT LIMITATION, LOSS OF GOODWILL, LOST PROFITS, LOSS OF ANTICIPATED PROFITS, LOST REVENUE, LOSS OF USE, OR ANY OTHER DAMAGE, WHETHER ARISING DIRECTLY OR INDIRECTLY FROM ANY CONTRACTUAL BREACH, FUNDAMENTAL BREACH, TORT OR OTHERWISE, OR FROM ANY ACTS OR OMISSIONS. LGECI'S TOTAL LIABILITY, IF ANY, SHALL NOT EXCEED THE PURCHASE PRICE PAID BY YOU FOR THE PRODUCT.

This Limited Warranty gives you specific legal rights. You may also have other rights that vary from province to province depending on applicable provincial laws. Any term of this Limited Warranty that negates or varies any implied condition or warranty under provincial law is severable where of conflicts with such provincial law without affecting the remainder of this warranty's terms.

THIS LIMITED WARRANTY DOES NOT COVER:

- Service trips to i) deliver, pick up, or install or; educate on how to operate the Product; ii) correct wiring or plumbing; or iii) correct unauthorized repairs or installations of the Product;
- Damage or failure of the Product to perform during power failures and interrupted or inadequate electrical service;
- Damage or failure caused by leaky or broken water pipes, frozen water pipes, restricted drain lines, inadequate or interrupted water supply or inadequate supply of air;
- Damage or failure resulting from operating the Product in a corrosive atmosphere or contrary to the instructions outlined in the Product's owner's manual;
- Damage or failure to the Product caused by accidents, pests and vermin, lightning, wind, fire, floods, acts of God, or any other causes beyond the control of LGECI or the manufacturer;
- Damage or failure resulting from misuse, abuse, improper installation, repair, or maintenance of the Product. Improper repair includes use of parts not authorized or specified by LGECI. Improper installation or maintenance includes installation or maintenance contrary to the Product's owner's manual;
- Damage or failure caused by unauthorized modification or alteration of the Product, or if used for other than the intended household purpose/use of the Product, or damage or failure resulting from any water leakage due to improper installation of the Product;
- Damage or failure caused by incorrect electrical current, voltage or plumbing codes;
- Damage or failure caused by use that is other than normal household use, including, without limitation, commercial or industrial use, including use in commercial offices or recreational facilities, or as otherwise outlined in the Product's owner's manual;
- Damage or failure caused by the use of any accessories, components or cleaning products, including, without limitation, water filters, that are not approved/authorized by LGECI;
- Replacement of the water filter cartridge due to water pressure that is outside the specified operating range or due to excessive sediment in the water supply;
- Damage or failure caused by transportation and handling, including scratches, dents, chips and/or other damage to the finish of the Product, **unless** such damage results from defects in materials or workmanship and is reported to LGECI within one (1) week of delivery of the Products;
- Damage or missing items to any display, open box, refurbished or discounted Product;
- Refurbished Product or any Product sold "As Is", "Where Is", "With all Faults", or any similar disclaimer;
- Products with original serial numbers that have been removed, altered or cannot be readily determined at the discretion of LGECI;
- Increases in utility costs and additional utility expenses in any way associated with the Product;

- Any noises associated with normal operation of the Product;
- Replacement of light bulbs, filters, fuses or any other consumable parts;
- Replacement of any part that was not originally included with the Product;
- Costs associated with removal and/or installation of the Product for repairs; and
- Shelves, door bins, drawers, handle and accessories to the Product, except for internal/functional parts covered under this Limited Warranty.
- Coverage for "in Home" repairs, for products in-warranty, will be provided if the Product is within a 150 km radius from the nearest authorized service center (ASC), as determined by LG Canada. If your Product is located outside a 150 km radius from a ASC, as determined by LG Canada, it will be your responsibility to bring the Product, at your sole expense, to the ASC for in-warranty repair.

All costs and expenses associated with the above excluded circumstances, listed under the heading, This Limited Warranty Does Not Cover, shall be borne by the consumer. TO OBTAIN WARRANTY SERVICE AND ADDITIONAL INFORMATION, PLEASE CALL OR VISIT OUR WEBSITE: Call 1-888-542-2623 (7 A.M. to 12 A.M., 365 days a year) and select the appropriate option from the menu, or. Visit our website at <http://www.lg.com>

PROCEDURE FOR RESOLVING DISPUTES:

EXCEPT WHERE PROHIBITED AT LAW, ALL DISPUTES BETWEEN YOU AND LG ARISING OUT OF OR RELATING IN ANY WAY TO THIS LIMITED WARRANTY OR THE PRODUCT SHALL BE RESOLVED EXCLUSIVELY THROUGH BINDING ARBITRATION, AND NOT IN A COURT OF GENERAL JURISDICTION. EXCEPT WHERE PROHIBITED AT LAW, YOU AND LG BOTH IRREVOCABLY AGREE TO WAIVE THE RIGHT TO A JURY TRIAL AND TO BRING OR PARTICIPATE IN A CLASS ACTION.

Definitions. For the purposes of this section, references to "LG" mean LG Electronics Canada, Inc., its parents, subsidiaries and affiliates, and each of their officers, directors, employees, agents, beneficiaries, predecessors in interest, successors, assigns and suppliers; references to "dispute" or "claim" shall include any dispute, claim or controversy of any kind whatsoever (whether based in contract, tort, statute, regulation, ordinance, fraud, misrepresentation or any other legal or equitable theory) arising out of or relating in any way to the sale, condition or performance of the product or this Limited Warranty.

Notice of Dispute. In the event you intend to commence an arbitration proceeding, you must first notify LG in writing at least 30 days in advance of initiating the arbitration by sending a letter to LG Electronics, Canada, Inc., Attn: Legal Department-Arbitration, 20 Norelco Drive, North York, Ontario M9L 2X6. You and LG agree to engage in good faith discussions in an attempt to amicably resolve your claim. The notice must provide your name, address, and telephone number; identify the product that is the subject of the claim; and describe the nature of the claim and the relief being sought. If you and LG are unable to resolve the dispute within 30 days, either party may proceed to file a claim for arbitration.

Agreement to Binding Arbitration and Class Action Waiver. Upon failure to resolve the dispute during the 30 day period after sending written notice to LG, you and LG agree to resolve any claims between you and LG only by binding arbitration on an individual basis, unless you opt out as provided below, or you reside in a jurisdiction that prevents full application of this clause in the circumstances of the claims at issue (in which case if you are a consumer, this clause will only apply if you expressly agree to the arbitration). To the extent permitted by applicable law, any dispute between you and LG shall not be combined or consolidated with a dispute involving any other person's or entity's product or claim. More specifically, without limitation of the foregoing, except to the extent such a prohibition is not permitted at law, any dispute between you and LG shall not under any circumstances proceed as part of a class or representative action. Instead of arbitration, either party may bring an individual action in small claims court, but that small claims court action may not be brought on a class or representative basis except to the extent this prohibition is not permitted at law in your province or territory of jurisdiction as it relates to the claims at issue between you and LG.

Arbitration Rules and Procedures. To begin arbitration of a claim, either you or LG must make a written demand for arbitration. The arbitration will be private and confidential, and conducted on a simplified and expedited basis before a single arbitrator chosen by the parties under the provincial or territorial commercial arbitration law and rules of the province or territory of your residence. You must also send a copy of your written demand to LG at LG Electronics, Canada, Inc., Attn: Legal Department-Arbitration, 20 Norelco Drive, North York, Ontario M9L 2X6. This arbitration provision is governed by your applicable provincial or territorial commercial arbitration legislation. Judgment may be entered on the arbitrator's award in any court of competent jurisdiction. All issues are for the arbitrator to decide, except that, issues relating to the scope and enforceability of the arbitration provision and to the arbitrability of the dispute are for the court to decide. The arbitrator is bound by the terms of this provision.

Governing Law. The law of the province or territory of your residence shall govern this Limited Warranty and any disputes between you and LG except to the extent that such law is preempted by or inconsistent with applicable federal or provincial/territorial law. Should arbitration not be permitted for any claim, action, dispute or controversy between you and LG, you and LG affirm to the exclusive jurisdiction of the courts of the province or territory of your residence for the resolution of the claim, action, dispute or controversy between you and LG.

Fees/Costs. You do not need to pay any fee to begin an arbitration. Upon receipt of your written demand for arbitration, LG will promptly pay all arbitration filing fees unless you seek more than \$25,000 in damages, in which case the payment of these fees will be governed by the applicable arbitration rules. Except as otherwise provided for herein, LG will pay all filing, administration and arbitrator fees for any arbitration initiated in accordance with the applicable arbitration rules and this arbitration provision. If you prevail in the arbitration, LG will pay your attorneys' fees and expenses as long as they are reasonable, by considering factors including, but not limited to, the purchase amount and claim amount. Notwithstanding the foregoing, if applicable law allows for an award of reasonable attorneys' fees and expenses, an arbitrator can award them to the same extent that a court would. If the arbitrator finds either the substance of your claim or the relief sought in the demand is frivolous or brought for an improper purpose (as measured by the applicable laws), then the payment of all arbitration fees will be governed by the applicable arbitration rules. In such a situation, you agree to reimburse LG for all monies previously disbursed by it that are otherwise your obligation to pay under the applicable arbitration rules. Except as otherwise provided for, LG waives any rights it may have to seek attorneys' fees and expenses from you if LG prevails in the arbitration.

Hearings and Location. If your claim is for \$25,000 or less, you may choose to have the arbitration conducted solely (1) on the basis of documents submitted to the arbitrator, (2) through a telephonic hearing, or (3) by an in-person hearing as established

by the applicable arbitration rules. If your claim exceeds \$25,000, the right to a hearing will be determined by the applicable arbitration rules. Any in-person arbitration hearings will be held at the nearest, most mutually-convenient arbitration location available within the province or territory in which you reside unless you and LG both agree to another location or agree to a telephonic arbitration.

Severability and Waiver. If any portion of this Limited Warranty (including these arbitration procedures) is unenforceable, the remaining provisions will continue in full force and effect to the maximum extent permitted by applicable law. Should LG fail to enforce strict performance of any provision of this Limited Warranty (including these arbitration procedures), it does not mean that LG intends to waive or has waived any provision or part of this Limited Warranty.

Opt Out. You may opt out of this dispute resolution procedure. If you opt out, neither you nor LG can require the other to participate in an arbitration proceeding. To opt out, you must send notice to LG no later than 30 calendar days from the date of the first consumer purchaser's purchase of the product by either (i) sending an e-mail to optout@lge.com, with the subject line: "Arbitration Opt Out;" or (ii) calling 1-800-980-2973. You must include in the opt out e-mail or provide by telephone: (a) your name and address; (b) the date on which the product was purchased; (c) the product model name or model number; and (d) the serial number (the serial number can be found (i) on the product; or (ii) online by accessing https://www.lg.com/ca_en/support/repair-service/schedule-repair and clicking on "Find My Model & Serial Number").

In the event that you "Opt Out", the law of the province or territory of your residence shall govern this Limited Warranty and any disputes between you and LG except to the extent that such law is preempted by or inconsistent with applicable federal or provincial/territorial law. Should arbitration not be permitted for any claim, action, dispute or controversy between you and LG, you and LG agree to attorn to the exclusive jurisdiction of the courts of the province or territory of your residence for the resolution of the claim, action, dispute or controversy between you and LG. You may only opt out of the dispute resolution procedure in the manner described above (that is, by e-mail or telephone); no other form of notice will be effective to opt out of this dispute resolution procedure. Opting out of this dispute resolution procedure will not affect the coverage of the Limited Warranty in any way, and you will continue to enjoy the full benefits of the Limited Warranty. If you keep this product and do not opt out, then you accept all terms and conditions of the arbitration provision described above.

Conflict of Terms. In the event of a conflict or inconsistency between the terms of this Limited Warranty and the End User License Agreement ("EULA") in regards to dispute resolution, the terms of this Limited Warranty shall control and govern the rights and obligations of the parties and shall take precedence over the EULA.



ESPAÑOL

MANUAL DEL USUARIO REFRIGERADOR CON CONGELADOR SUPERIOR

Lea cuidadosamente este manual del usuario antes de poner en funcionamiento el refrigerador, y téngalo a mano de referencia en todo momento.

Nombre de Modelo

LTNC11121V

www.lg.com

Copyright © 2014 - 2017 LG Electronics Inc. Todos los Derechos Reservados.

TABLA DE CONTENIDO

3 FUNCIONES DEL PRODUCTO

4 INSTRUCCIONES IMPORTANTES DE SEGURIDAD

7 COMPONENTES

- 7 Parte exterior del refrigerador
- 7 Parte interior del refrigerador

8 INSTALACIÓN

- 8 Instrucciones generales de instalación
- 8 Especificaciones
- 9 Desempaque del refrigerador
- 9 Cómo elegir la ubicación más adecuada
 - 9 - Tipo de piso
 - 10 - Temperatura ambiente
 - 10 - Cómo medir la distancia de separación mínima
- 10 Encendido
- 10 Nivelación

11 INSTRUCCIONES DE USO

- 11 Antes de usar
- 12 Panel de control
- 13 Almacenamiento de alimentos
 - 13 - Lugar de conservación de los alimentos
 - 14 - Sugerencias para el almacenamiento de alimentos
 - 14 - Almacenamiento de alimentos congelados
- 15 Cajón con control de humedad
- 15 Compartimentos de las puertas
- 15 Ajuste de los estantes

16 MANTENIMIENTO

- 16 Limpieza

17 SMART DIAGNOSIS^{MR} (Diagnóstico inteligente)

- 17 Uso de Smart Diagnosis^{MR}

18 SOLUCIÓN DE PROBLEMAS

23 GARANTÍA

FUNCIONES DEL PRODUCTO

* Dependiendo del modelo, algunas de las siguientes funciones puede no estar disponible.



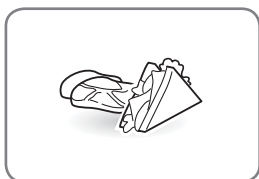
SMART DIAGNOSIS^{MR} (Diagnóstico Inteligente)

Use la función para contactar a su Centro de Servicio y recibir un diagnóstico preciso cuando el refrigerador no funciona correctamente o falla. Su uso es exclusivo para consultas, no la use durante el funcionamiento normal.



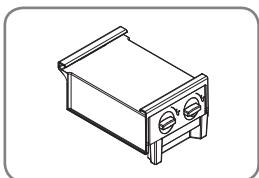
CAJONES CON CONTROL DE HUMEDAD

Los cajones con control de humedad están diseñados para ayudar a mantener las frutas y las verduras frescas. Para controlar la cantidad de humedad en los cajones, ajuste las configuraciones entre Low (Bajo) y High (Alto).



ESTANTE 'PULL OUT'

Este estante le proporciona un acceso fácil a sus alimentos.



FÁBRICA DE HIELOS

Para cumplir con sus necesidades de espacio su fábrica de hielos puede ser movida de un lado a otro.



ADVERTENCIA

Sólo llene con agua potable.

INSTRUCCIONES IMPORTANTES DE SEGURIDAD

LEA TODAS LAS INSTRUCCIONES ANTES DE UTILIZAR EL ELECTRODOMÉSTICO.

Este manual contiene muchos mensajes de seguridad importantes. Lea y cumpla siempre todos los mensajes de seguridad.



Este es el símbolo de alerta de seguridad. Le avisa de mensajes de seguridad que le informan de peligros de muerte o lesiones para usted o los demás, o que puedan dañar el producto.

Todos los mensajes de seguridad estarán precedidos del símbolo de alerta de seguridad y de las palabras de señal de peligro ADVERTENCIA o PRECAUCIÓN. Estas palabras significan:



ADVERTENCIA Si no respeta las instrucciones, podría morir o sufrir lesiones graves.



PRECAUCIÓN Indica una situación de peligro inminente que, si no se evita, podría producir una lesión menor o moderada, o daño al producto.



ADVERTENCIA

Para reducir el riesgo de incendio, descarga eléctrica o lesiones personales al utilizar el producto, se deben respetar una serie de precauciones básicas de seguridad, entre las que se incluyen las siguientes:

Alimentación Eléctrica

- NUNCA desenchufe el refrigerador tirando del cable de alimentación. Agarre siempre el enchufe firmemente y tire del mismo para retirarlo de la toma de corriente.
- Si el cable de alimentación está dañado, deberá ser sustituido por el fabricante, su agente de servicio o personal calificado para evitar peligros. No use un cable con grietas o abrasiones sobre su extensión o en los extremos del enchufe o conector.
- No utilice una toma de corriente no certificada.
- Desenchufe el refrigerador de inmediato en caso de corte de energía o tormenta.
- Enchufe el refrigerador con el cable de alimentación ubicado hacia abajo.
- No utilizar extensiones o adaptadores (de dos terminales) sin puesta a tierra.

Instalación

- Comuníquese con un centro de servicios autorizado cuando instale o cambie de lugar el refrigerador.
- Cuando separe el refrigerador de la pared, tenga cuidado de no torcer o dañar el cable de alimentación.
- Antes de usar el producto, asegúrese de conectarlo a una toma de corriente eléctrica con conexión a tierra adecuada calificada para usar con este producto (115 V~ 60Hz, sólo CA). Es responsabilidad del usuario reemplazar una tomacorriente de 2 clavijas estándar por una tomacorriente de 3 clavijas estándar.
- No instale el refrigerador donde pueda haber peligro de que la unidad se caiga.

Uso

- NO permita que los niños escalen, se paren o se cuelguen de las puertas o de los estantes del refrigerador. Podrían dañar el refrigerador o sufrir lesiones graves.
- No cuelgue ni coloque objetos pesados en el dispensador del refrigerador (si le aplica).
- No coloque objetos pesados o peligrosos (botellas con líquido) en el refrigerador.
- No meta animales vivos dentro del refrigerador.
- No permita que los niños se metan en el refrigerador.
- No instale el refrigerador donde pueda haber peligro de que la unidad se caiga.
- En caso de una fuga de gas (propano/LP), asegúrese de ventilar adecuadamente el ambiente y póngase en contacto con un centro de servicios autorizado antes de reanudar el uso del refrigerador. No toque ni desenchufe la toma de corriente eléctrica del refrigerador.
- En caso de una pérdida de refrigerante, aleje cualquier objeto inflamable del refrigerador. Asegúrese de ventilar adecuadamente el ambiente y póngase en contacto con un centro de servicios autorizado.
- No use ni coloque sustancias inflamables (productos químicos, medicamentos, productos cosméticos, etc.) cerca del refrigerador ni los almacene dentro del mismo. No ubique el refrigerador cerca de gases inflamables.

LEA TODAS LAS INSTRUCCIONES ANTES DE UTILIZAR EL ELECTRODOMÉSTICO.

Para reducir el riesgo de incendio, descarga eléctrica o lesiones personales al utilizar el producto, se deben de respetar una serie de precauciones básicas de seguridad, entre las que se incluyen las siguientes:

- Este producto no debe ser utilizado para fines especiales, como ser para almacenar medicamentos o materiales de prueba, usar en barcos, etc.
- Desenchufe el refrigerador antes de limpiarlo o repararlo.
- No modifique ni alargue el cable de alimentación.
- No use un secador para secar el interior del refrigerador. No encienda velas para eliminar olores en el interior.
- Por su seguridad, este electrodoméstico debe estar conectado a tierra adecuadamente. Solicite a un electricista calificado que compruebe la toma de corriente y el circuito eléctrico para asegurarse de que la toma de corriente está correctamente conectada a tierra.
- No use una toma de corriente que pueda cortarse con interruptor. No utilice un cable alargador de corriente. Es responsabilidad del usuario reemplazar una toma de corriente de 2 clavijas estándar por una toma de corriente de 3 clavijas estándar.
- Bajo ninguna circunstancia corte o quite la tercera clavija (de puesta a tierra) del cable de alimentación.
- No utilice enchufes adaptadores; conecte el enchufe de alimentación a una extensión de toma corriente múltiple.
- Desenchufe el cable de alimentación de inmediato si escucha un ruido, huele un olor extraño o detecta humo proveniente del electrodoméstico.
- Corte la corriente eléctrica si entra agua o polvo al refrigerador. Póngase en contacto con un agente de servicios.
- No desmonte ni modifique el refrigerador.
- No ponga las manos, pies u objetos metálicos debajo ni detrás del refrigerador.
- No opere el refrigerador ni toque el cable de alimentación con las manos húmedas.
- No toque las superficies frías del compartimento del congelador con las manos húmedas o mojadas cuando el refrigerador esté en funcionamiento.
- No introduzca contenedores de vidrio, botellas de vidrio o gaseosas en el congelador, ya que pueden quebrarse.
- Este electrodoméstico no fue diseñado para ser utilizado por personas con capacidades físicas, sensoriales o mentales reducidas (incluidos los niños), o con falta de experiencia y conocimiento, a menos que lo hagan bajo la supervisión o instrucciones de uso de una persona responsable por su seguridad. Los niños deben ser supervisados para asegurar que no jueguen con el aparato.
- No vuelva a congelar alimentos congelados que se hayan descongelado completamente. Hacerlo puede causar un grave problema de salud.
- Si va a desechar su antiguo refrigerador, asegúrese que un técnico calificado se encargue de retirar el refrigerante de CFC (clorofluorocarbono) o HCFC (hidroclorofluorocarbono) para su adecuada eliminación. Si libera refrigerante de CFC o HCFC, podrá ser sujeto a una multa o pena de prisión de acuerdo a las leyes ambientales pertinentes de su país.
- Los refrigeradores desechados o abandonados son peligrosos, incluso si sólo es por unos pocos días. Cuando deseche el refrigerador, retire los empaques de las puertas o desensamble las puertas, pero deje los estantes en su lugar para que los niños no puedan fácilmente meterse dentro del refrigerador.
- Si el refrigerador está conectado a un circuito protegido por fusibles, utilice fusibles retardantes.
- Si ya no requiere del uso de esta unidad, contacte a las autoridades locales para deshacerse de este producto de forma segura ya que usa Ciclo-Pentano o Pentano como gases inflamables espumantes para el aislamiento. Los gases del material de aislamiento requieren un proceso especial de eliminación. Este producto contiene gases aislantes inflamables.
- No dañe el circuito del refrigerante.

LEA TODAS LAS INSTRUCCIONES ANTES DE UTILIZAR EL ELECTRODOMÉSTICO.

Para reducir el riesgo de incendio, descarga eléctrica o lesiones personales al utilizar el producto, se deben de respetar una serie de precauciones básicas de seguridad, entre las que se incluyen las siguientes:

ESPAÑOL

 **PRECAUCIÓN**

Instalación

- El refrigerador se debe instalar correctamente de acuerdo con las instrucciones para el instalador incluidas en la hoja que fue pegada al frente del refrigerador.
- Tenga cuidado al desempacar e instalar el refrigerador. Deseche inmediatamente los materiales plásticos y otros materiales de empaque fuera del alcance de los niños.
- El electrodoméstico debe ubicarse con un fácil acceso a una fuente de energía.

Uso

- Cierre la puerta con cuidado cuando haya niños alrededor.
- Mantenga los dedos lejos de los puntos de riesgo de agarre; las distancias de separación entre las puertas y los gabinetes son necesariamente pequeñas. Tenga especial cuidado al cerrar las puertas cuando haya niños cerca.
- Si almacena los alimentos de manera inadecuada, éstos podrían caerse y causar lesiones.
- No utilice aerosoles cerca del refrigerador.
- No deje artículos en la parte superior del electrodoméstico.

Mantenimiento

- No utilice detergentes fuertes tales como ceras o disolventes para limpiar el refrigerador. Límpiolo con un trapo suave.
- Limpie regularmente todo objetos extraño (como polvo y agua) de las clavijas del enchufe de alimentación y de las áreas de contacto.
- No almacene, desmonte ni repare el refrigerador usted mismo.
- Quite cualquier resto de polvo o sustancia extraña de las clavijas del enchufe de alimentación.
- No use trapos húmedos o mojados para limpiar el enchufe.
- Si el refrigerador está desconectado del suministro de energía eléctrica, espere al menos cinco minutos antes de volver a enchufarlo.
- Si nota olor de un producto químico, plástico quemado o si ve humo, desenchufe el refrigerador de inmediato y póngase en contacto con su Centro de Servicios de LG Electronics.

 **ADVERTENCIA**

Este producto contiene químicos conocidos por el Estado de California de causar cáncer y defectos de nacimiento u otros daños reproductivos. **Lávese las manos después de manipular.** (Solo USA).

 **ADVERTENCIA**

NO USAR DISPOSITIVOS MECÁNICOS

No use dispositivos mecánicos u otros medios para acelerar el proceso de descongelamiento, solo aquellos que han sido recomendados por el fabricante.

 **ADVERTENCIA**

NO GUARDAR APARATOS ELÉCTRICOS,

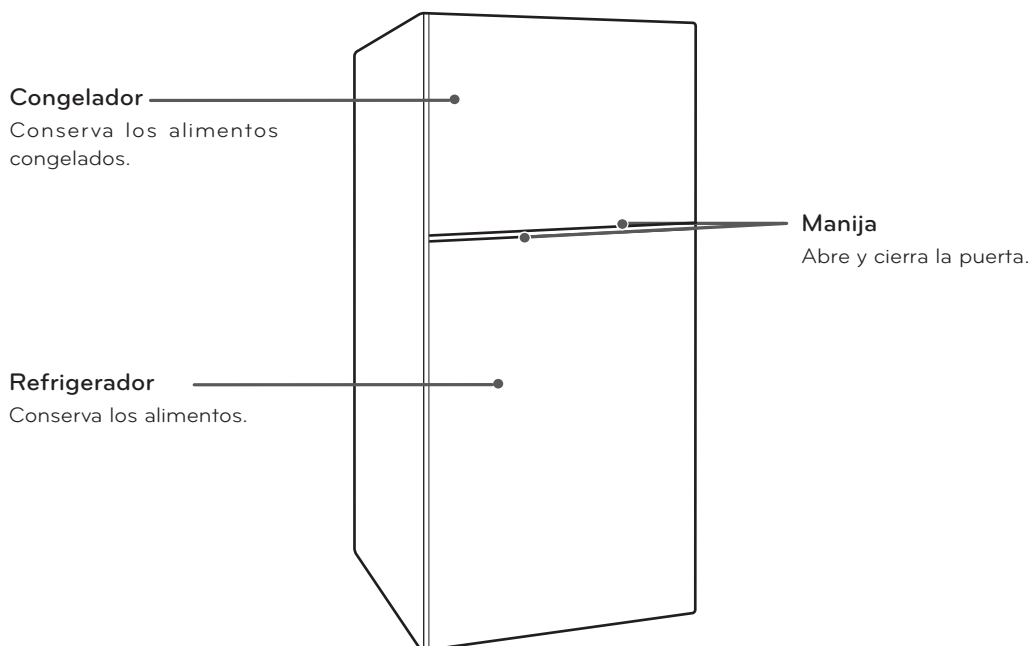
No use aparatos eléctricos en el interior del compartimento para almacenar comida, al menos que éstos sean del tipo recomendado por el fabricante.

CONSERVE ESTAS INSTRUCCIONES

COMPONENTES

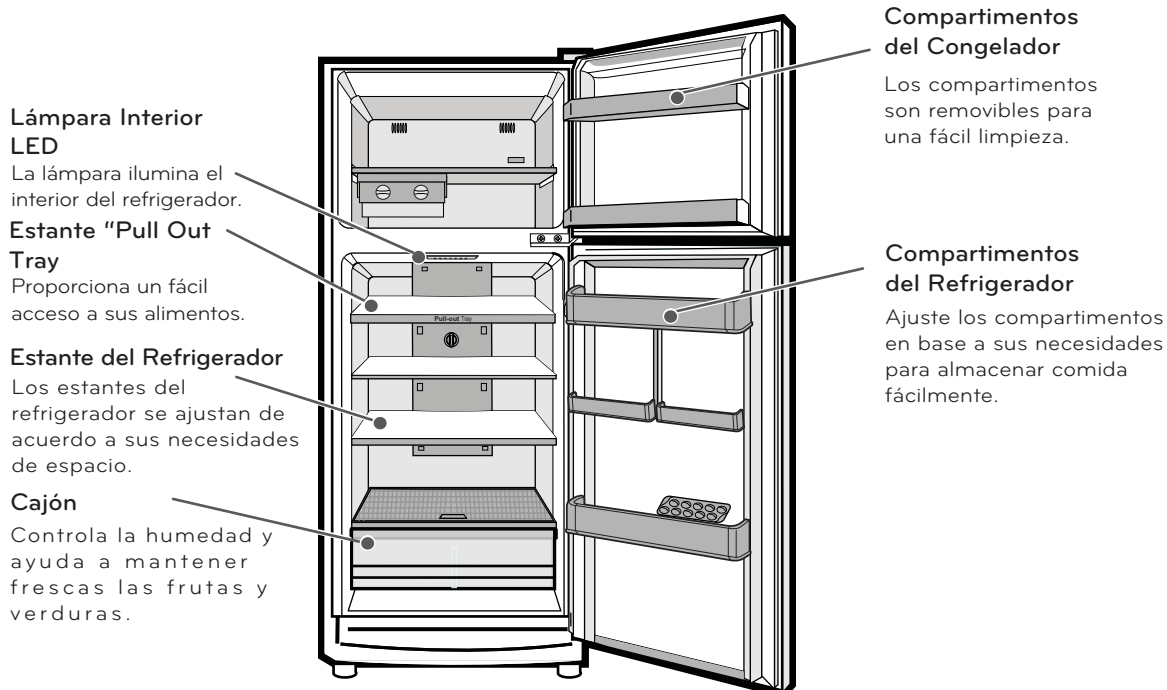
Use esta página para familiarizarse con los componentes y funciones del refrigerador.

Parte exterior del refrigerador



ESPAÑOL

Parte interior del refrigerador

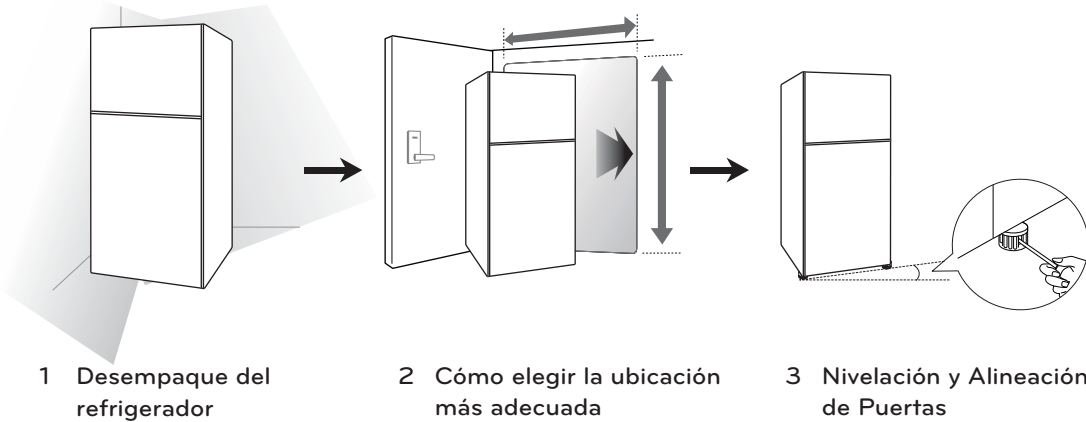


INSTALACIÓN

Instrucciones generales de instalación

Luego de comprar este producto o trasladarlo a otro lugar, lea primero las siguientes instrucciones de instalación.

ESPAÑOL



Este aparato está destinado a ser usado en aplicaciones domésticas o similares, tales como:

- Áreas de personal de cocina en tiendas, oficinas y otros ambientes de trabajo; casas de campo y por clientes en hoteles, moteles y otros ambientes de tipo residencial.
- Entornos de alojamiento y desayuno de tipo; Hostelería y similares aplicaciones no comerciales..

Especificaciones

La apariencia y especificaciones indicadas en este manual pueden variar debido a las constantes mejoras en el producto.

Dimensiones	Ancho 24 pulgadas (610 mm)	Fondo 26 pulgadas (661 mm)	Altura 66 1/2 pulgadas (1690 mm)
Peso neto	562 kg (124 lb.)		

Desempaque del refrigerador

ADVERTENCIA

- El desplazamiento e instalación del refrigerador deben de realizarse entre dos o mas personas. Si no se respeta esta advertencia, podrá sufrir lesiones en la espalda o de otro tipo.
- Su refrigerador es pesado. Al desplazarlo para su limpieza o mantenimiento, asegúrese de proteger el suelo. Siempre debe de tirar del refrigerador en línea recta cuando lo desplace. No menee ni mueva en 'zig zag' el refrigerador al trata de desplazarlo, ya que esto puede dañar el suelo.
- Mantenga los materiales o vapores inflamables, como la gasolina, lejos del refrigerador. Si no se cumple con esto, se podrá producir una explosión, incendio o muerte.

Antes de su uso, retire la cinta adhesiva y todas las etiquetas temporales del refrigerador. No retire las etiquetas que indican advertencias, la etiqueta del modelo y del número de serie, hojas de instalación o diagrama de circuito, ubicado en la parte de atrás del refrigerador.

Para retirar los restos de pegamento o cinta adhesiva, frote enérgicamente el área con el pulgar. Los residuos de pegamento o cinta adhesiva también se pueden retirar fácilmente frotando con los dedos una pequeña cantidad de jabón lavavajillas líquido sobre el adhesivo. Limpie con agua templada y seque el área.

No utilice instrumentos afilados, alcohol desinfectante, líquidos inflamables ni limpiadores abrasivos para retirar la cinta adhesiva o el pegamento. Estos productos pueden dañar la superficie del refrigerador.

Los estantes del refrigerador están instalados en la posición de transporte. Coloque los estantes de acuerdo con sus necesidades personales de almacenamiento.

Cómo elegir la ubicación más adecuada

- El refrigerador debe estar siempre enchufado a su toma de corriente individual conectada a tierra adecuadamente con una tensión nominal de 115V ~ 60 Hz, sólo CA, y protegida mediante fusibles de 15 A. Esta configuración proporciona el mejor rendimiento y, al mismo tiempo, evita la sobrecarga de la instalación eléctrica de la casa que podría provocar un peligro de incendio debido a un sobrecalentamiento de los cables. Se recomienda disponer de un circuito independiente para la exclusiva alimentación de este electrodoméstico.

ADVERTENCIA

Para reducir el riesgo de descarga eléctrica, no instale el refrigerador en un área húmeda o mojada.

Tipo de piso

Para evitar el ruido y la vibración, es necesario nivelar la unidad e instalarla en un suelo sólidamente construido. Si es necesario, ajuste las patas de nivelación para compensar los desniveles del suelo. La parte delantera debe estar ligeramente más elevada que la posterior para ayudar al cierre de la puerta. Las patas de nivelación se pueden girar con facilidad inclinando ligeramente el aparato. Gire las patas de nivelación hacia la izquierda para levantar la unidad, o hacia la derecha para bajarla (Consulte la sección de Nivelación).

NOTA

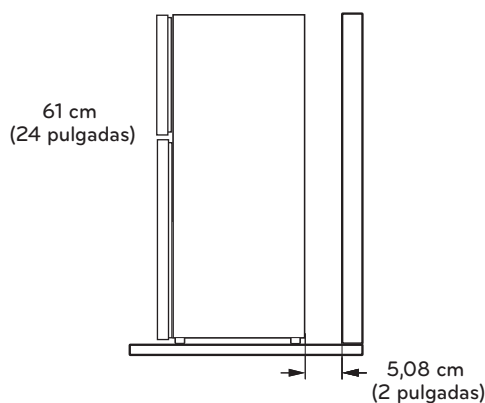
No se recomienda realizar la instalación sobre alfombra, superficies de baldosas flexibles, plataformas o estructuras con soporte inestable.

Temperatura ambiente

Instale este electrodoméstico en una zona donde la temperatura esté entre los 13°C (55°F) y 43°C (110°F). Si la temperatura alrededor del electrodoméstico es demasiado baja o demasiado alta, la capacidad de refrigeración se verá gravemente afectada.

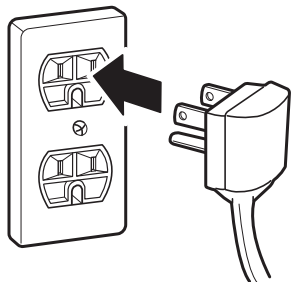
Cómo medir la distancia de separación mínima

Una distancia demasiado pequeña con los elementos adyacentes puede dar como resultado una reducción de la capacidad de congelación y un aumento del consumo eléctrico. Deje al menos 61 cm (24 pulgadas) en el frente del refrigerador para abrir la puertas y al menos 5,08 cm (2 pulgadas) entre la parte posterior del refrigerador y la pared.



Encendido

1 Enchufe el refrigerador.



PRECAUCIÓN

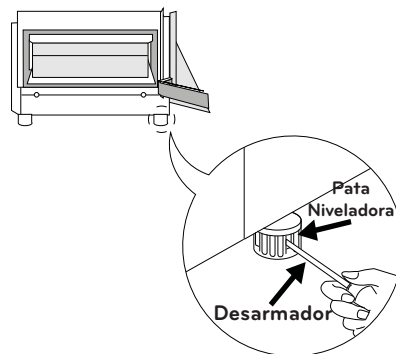
- Conecte a una toma de corriente de potencia nominal.
- Haga que un electricista certificado verifique la toma de corriente y cableado para una conexión a tierra adecuada.
- No dañe ni corte la terminal del enchufe de alimentación con conexión a tierra.

Nivelación

Tras la instalación, enchufe el cable de alimentación del refrigerador en una toma de corriente de 3 clavijas con conexión a tierra y empuje el refrigerador hasta su posición definitiva.

Su refrigerador tiene dos patas de nivelación delanteras: uno a la derecha y otro a la izquierda. Ajuste las patas para modificar la inclinación de delante hacia atrás o de lado a lado. Si el refrigerador parece inestable o si desea que las puertas se cierren más fácilmente, ajuste la inclinación del refrigerador mediante las siguientes instrucciones:

1. Gire la pata de nivelación insertando un desarmador plano en las ranuras que están en las patas niveladoras. Gira la pata hacia la izquierda (↶) para levantar el refrigerador o hacia la derecha (↷) para bajar. Es posible que sean necesarios varios giros para ajustar la inclinación.



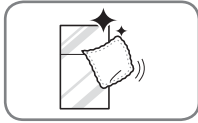
NOTA

Hacer que alguien empuje contra la parte superior del refrigerador quita algo de peso aplicado a las patas niveladoras, esto hace más fácil ajustarlas.

2. Vuelva a abrir ambas puertas y compruebe que se cierran con facilidad. Si no es así, incline el refrigerador ligeramente hacia atrás girando ambas patas de nivelación hacia la izquierda. Es posible que sean necesarios más giros; debería girar ambas patas de nivelación la misma cantidad de veces.

INSTRUCCIONES DE USO

Antes de usar



Limpié el refrigerador.

Limpié bien el refrigerador y quite todo el polvo acumulado durante el transporte.



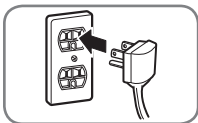
PRECAUCIÓN

- No raye el refrigerador con un objeto punzante ni utilice un detergente que contenga alcohol, un líquido inflamable o un abrasivo cuando retire cualquier cinta adhesiva o pegamento del mismo.
- No retire la etiqueta de número de modelo ni de serie ni de la información técnica sobre la superficie posterior del refrigerador.



NOTA

Quite el residuo adhesivo limpiándolo con su dedo pulgar o con detergente de vajilla.



Conecte el suministro de energía.

Verifique que el suministro de energía esté conectado antes de usar el refrigerador. Consulte la sección "Encendido".

Espere a que el refrigerador enfríe.

Deje que el refrigerador esté en funcionamiento durante al menos dos o tres horas antes de almacenar alimentos dentro del mismo. Compruebe el flujo de aire frío en el compartimento del congelador para asegurarse de que la refrigeración sea la adecuada.

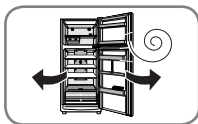


PRECAUCIÓN

Colocar alimentos en el refrigerador antes de que se haya enfriado podría hacer que se echen a perder los alimentos o que el mal olor permanezca dentro del refrigerador.

El refrigerador hace un ruido fuerte luego del funcionamiento inicial.

Esto es normal. El ruido irá disminuyendo a medida que disminuya la temperatura.



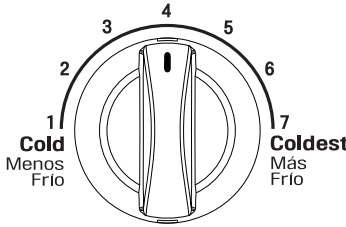
Abra las puertas del refrigerador para ventilar el interior.

El interior del refrigerador puede oler a plástico al principio. Extraiga cualquier cinta adhesiva del interior del refrigerador y abra las puertas del refrigerador para ventilar.

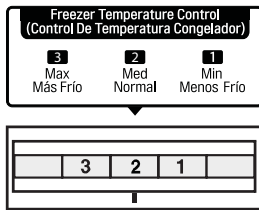
Panel de Control

Funciones del Panel de Control

ESPAÑOL



Controla la temperatura del compartimento del refrigerador. Gire la perilla a la configuración deseada (de 1 a 7).



Controla el flujo de aire frío que va del congelador al refrigerador. Para cambiar de posición el control, impúselo hacia los lados para que gire. La flecha le indica el nivel de temperatura en que se encuentra su congelador (de 1 a 3).

Ajuste sus controles de temperatura dependiendo de la cantidad de comida almacenada, use la tabla de abajo como referencia:

Cantidad de Comida Almacenada			
Control de:	Muchos Alimentos	Cantidad Regular	Pocos Alimentos
Congelador	<p>Ajuste en 2</p>	<p>Ajuste en 2</p>	<p>Ajuste en 1</p>
Refrigerador	<p>Ajuste en 7</p>	<p>Ajuste en 4</p>	<p>Ajuste en 1</p>

NOTA

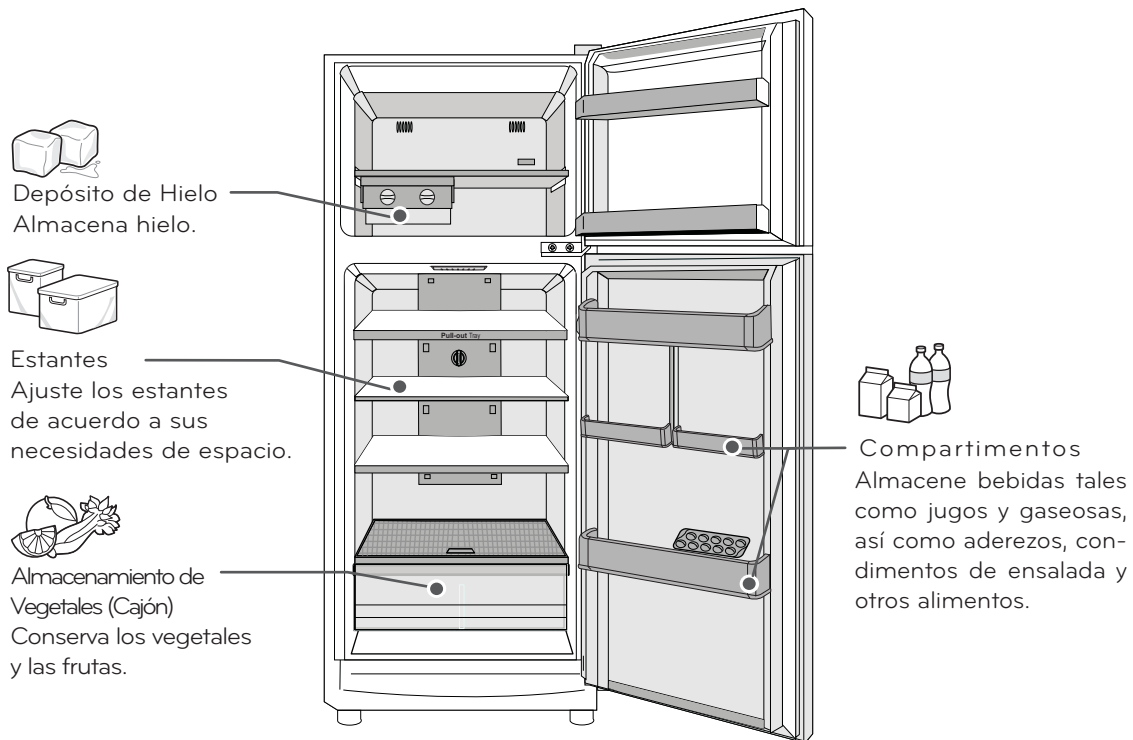
Tenga cuidado de no obstruir o mover con los alimentos los controles de temperatura, ya que podría cambiar o desconocer el nivel de temperatura al cual se encuentra su refrigerador.

Almacenamiento de alimentos

Lugar de conservación de los alimentos

Cada compartimento del refrigerador está diseñado para almacenar diferentes tipos de alimentos.

Almacene sus alimentos en el espacio óptimo para disfrutar de los sabores más frescos.



PRECAUCIÓN

- No almacene alimentos con alto contenido de humedad en la parte superior del refrigerador. La humedad podría entrar en contacto directo con el aire frío y congelarse.
- Lave los alimentos antes de guardarlos en el refrigerador. Si es necesario enjuague y frote a fondo las verduras secas y frutas para eliminar la suciedad como jugo o áreas manchadas, además limpiar el envasado de alimentos para evitar que los demás alimentos se contaminen.
- Si el refrigerador se encuentra en un lugar húmedo y de mucho calor, abrir la puerta constantemente o almacenar muchos vegetales en el refrigerador puede dar lugar a condensación. Limpie la condensación con un paño limpio o una toalla de papel.
- Si la puerta del refrigerador se abre demasiadas veces, el aire caliente puede entrar en el refrigerador y subir su temperatura. Esto puede aumentar los costos de funcionamiento del aparato.



NOTA

- Si va a abandonar su hogar por un período corto de tiempo, como unas pequeñas vacaciones, el refrigerador debe quedar encendido. Los alimentos refrigerados que se pueden congelar se preservarán por más tiempo si se almacenan en el congelador.
- Si va a dejar el refrigerador apagado durante un período de tiempo prolongado, retire todos los alimentos y desenchufe el cable de alimentación. Limpie el interior y deje la puerta abierta para evitar la aparición de hongos en el refrigerador.

Sugerencias para el almacenamiento de alimentos

* Las siguientes sugerencias podrían no ser de aplicación en su caso dependiendo del modelo del refrigerador.

Envuelva o almacene los alimentos en el refrigerador dentro de materiales herméticos y antihumedad, a menos que se indique lo contrario. Esto evitará que el olor y sabor de los alimentos se transfiera por todo el refrigerador. Para productos con fecha de caducidad, verifique el código de fecha para garantizar la frescura.

Alimento	Cómo
Mantequilla o margarina	Conserve la mantequilla abierta en un plato cubierto o en un compartimento cerrado. Cuando almacene una cantidad extra, envuélvala en una bolsa para congelar y congélela.
Queso	Almacene en el envoltorio original hasta que esté listo para consumirlo. Una vez abierto, vuelva a envolverlo herméticamente en un envoltorio plástico ó en papel de aluminio.
Leche	Limpie los cartones de leche. Para que la leche se conserve más fría, coloque el envase en un estante interior.
Huevos	Almacénelos en el cartón original en un estante inferior, no en un estante de la puerta.
Fruta	No lave ni pele la fruta hasta justo antes de su consumo. Organice y mantenga la fruta en su contenedor original, en el cajón para la verdura, o almacénela en una bolsa de papel completamente cerrada en un estante del refrigerador.
Verduras de hoja	Retire el envoltorio comercial y corte o arranque las zonas mallugadas o decoloradas. Lave en agua fría y deje escurrir. Colóquela en una bolsa o un contenedor de plástico y almacénela en el cajón para verduras.
Verduras con piel (zanahorias, pimientos)	Colóquelos en una bolsa ó un contenedor de plástico y almacénelos en el cajón para verduras.
Pescado	Almacene el pescado y marisco fresco en la sección del congelador si no los va a consumir el mismo día que los compró. Se recomienda consumir el pescado y marisco el mismo día de su adquisición.
Sobras	Cubra las sobras con un envoltorio plástico, papel de aluminio o dentro de contenedores de plástico con tapas herméticas.

Almacenamiento de alimentos congelados



NOTA

Consulte una guía de congelación o un libro de cocina confiable para obtener más información sobre la forma de preparar los alimentos para su congelación o sobre los tiempos de almacenamiento de los alimentos congelados.

Congelación

El congelador no congelará rápidamente una gran cantidad de alimentos. No coloque más alimentos sin congelar en el congelador de los que puedan congelarse en 24 horas, no más de 1 ó 1,5 kg (2,20 ó 3,31 lbs.) de alimento por cada 30 litros (1,06 pies cúbicos) de espacio en el congelador. Deje suficiente espacio para que el aire pueda circular entre los paquetes. Tenga cuidado de dejar suficiente espacio en la parte delantera para que se pueda cerrar la puerta herméticamente.

Los tiempos de almacenamiento variarán en función de la calidad y tipo de alimento, el tipo de envase o envoltorio utilizado (si son herméticos y antihumedad) y temperatura de almacenamiento. La aparición de cristales de hielo dentro de un paquete sellado es normal. Esto solo significa que la humedad del alimento y del aire del interior del paquete se ha condensado, creando cristales de hielo.



NOTA

Deje que los alimentos calientes se enfríen a temperatura ambiente durante 30 minutos y después empaquételes y congélelos. Enfriar alimentos calientes antes de congelarlos ahorra energía.

Empaquetamiento

Una congelación correcta depende de un empaquetamiento adecuado. Cuando se cierra y sella el paquete, no debe dejar que entre ni salga aire ni humedad. Si eso sucede, es posible que el olor y el sabor de los alimentos se transfieran por todo el refrigerador y también se podrían reseca los alimentos congelados.

Recomendaciones de empaquetamiento:

- Contenedores de plástico rígido con tapas herméticas.
- Tarros de congelación o latas.
- Papel de aluminio grueso.
- Papel con revestimiento plástico.
- Envoltorios plásticos no permeables.
- Bolsas de plástico con autosellado y calidad específica apta para congelador.

Siga las instrucciones del contenedor o paquete para métodos de congelación adecuados.

No usar

- Envoltorios de pan.
- Contenedores de plástico que no sean de polietileno.
- Contenedores sin tapas herméticas.
- Papel de cera o envoltorio para congelador revestidos de cera.
- Envoltorio fino y semipermeable.

Cajón con Control de Humedad

Los cajones para verduras mantienen el sabor y frescura de frutas y verduras al permitir controlar fácilmente la humedad dentro del cajón.

Para controlar el nivel de humedad en los cajones para verduras con sellado antihumedad, ajuste el control en cualquier posición entre Low (Bajo) y High (Alto).



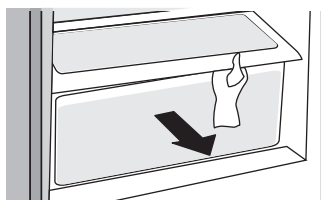
mantiene el aire húmedo fuera del cajón para mejorar el almacenamiento de las frutas.



mantiene el aire húmedo en el cajón para mejorar el almacenamiento de las verduras.

Para remover el cajón siga los siguientes pasos:

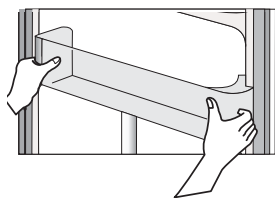
- Deslice el cajón hacia afuera hasta que tope y levántelo para sacarlo en su totalidad.
- Para instalar el cajón, deslícelo hacia adentro hasta pasar los topes.



Compartimentos de la Puerta

Los compartimentos se pueden quitar para una mejor limpieza y ajuste.

- Para quitar el compartimento, levántelo y jale hacia afuera.
- Para colocarlo, deslícelo sobre la guía y empújelo hacia abajo hasta que tope.



PRECAUCIÓN

- No aplique fuerza excesiva al quitar o desmontar los compartimentos.
- No use el lava vajillas para limpiar los compartimentos ni los estantes.
- Regularmente remueva y lave los compartimentos y los estantes, se pueden contaminar fácilmente con la comida.

Ajuste de los Estantes

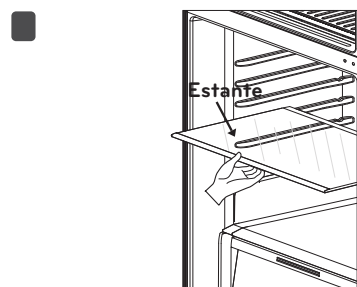
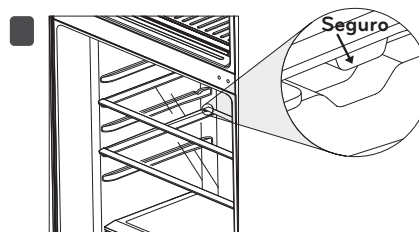
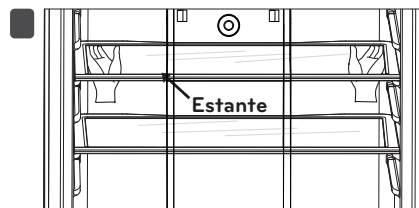
Los estantes del refrigerador son ajustables para satisfacer sus necesidades personales de almacenamiento.

Organizar los estantes para que se ajusten a las diferentes alturas de los artículos hará que le resulte más fácil encontrar lo que busca. Con ello también reducirá el tiempo que permanece la puerta del refrigerador abierta y ahorrará energía.

Desensamble de los Estantes

Para retirar el estante, lleve a cabo los siguientes instrucciones:

- 1 Tome el estante de la parte de atrás.
- 2 Use la fuerza necesaria para levantar el estante y libere los seguros.
- 3 Deslice el estante hacia afuera.



PRECAUCIÓN

- No limpie los estantes de vidrio con agua templada mientras aún están fríos. Los estantes podrían romperse si se ven expuestos a cambios repentinos de temperatura o impactos.
- Los estantes de vidrio son pesados. Tenga especial cuidado al momento de retirarlos.

MANTENIMIENTO

Limpieza

- Tanto las secciones refrigerador como congelador se descongelan de forma automática; sin embargo, se recomienda limpiar ambas secciones una vez al mes para evitar la aparición de olores.
- Seque los derrames inmediatamente.
- Siempre desenchufe el refrigerador antes de limpiarlo.

ESPAÑOL

Sugerencias generales de limpieza

- Desenchufe el refrigerador o desconecte la alimentación.
- Retire todos los componentes extraíbles como estantes, cajones, etc.
- Use una esponja limpia o un trapo suave, junto con un detergente suave en agua templada. No utilice limpiadores abrasivos o agresivos.
- Lave a mano, enjuague y seque todas las superficies a fondo.

Exterior

El encerado de las superficies metálicas pintadas externas proporciona una protección contra el óxido. No encere las piezas de plástico. Encere las superficies metálicas pintadas al menos dos veces al año con cera para electrodomésticos (o cera en pasta para coches). Aplique la cera con un trapo suave y limpio.

Para productos con un exterior en acero inoxidable, use una esponja limpia que no genere rayones o un trapo suave, junto con un detergente suave en agua tibia. No utilice limpiadores abrasivos o muy fuertes. Seque a fondo con un trapo suave.



PRECAUCIÓN

- No use una esponja o paño áspero al limpiar el interior y el exterior del refrigerador.
- No coloque su mano sobre la superficie inferior del refrigerador al abrir y cerrarlo.



ADVERTENCIA

Use un limpiador no inflamable. Si no se cumple con esto se podrá producir una explosión, incendio o muerte.

Paredes interiores (deje que el congelador se caliente para que el trapo no se quede pegado)

Para ayudarle a eliminar los olores, puede lavar el interior del refrigerador con una mezcla de bicarbonato sódico y agua templada. Mezcle 2 cucharadas soperas de bicarbonato sódico (unos 26 g) en 1 litro de agua (un cuarto de galón). Asegúrese de que el bicarbonato sódico esté completamente disuelto para que no raye las superficies del refrigerador.

Revestimiento de las puertas y juntas

Use una esponja limpia o un trapo suave, junto con un detergente suave en agua templada. No utilice ceras de limpieza, detergentes concentrados, blanqueadores ni limpiadores que contengan petróleo en las piezas del refrigerador que son de plástico.

Piezas de plástico (tapas y paneles)

Use una esponja limpia o un trapo suave, junto con un detergente suave en agua templada. No utilice ceras de limpieza, detergentes concentrados, blanqueadores ni limpiadores que contengan petróleo en las piezas del refrigerador que son de plástico.

Cambio de luz (LED)

Nota: No remueva el LED, sólo debe ser removido por un técnico calificado.



ADVERTENCIA

En caso de reemplazo, la nueva lámpara debe ser de la misma especificación que el original.

SMART DIAGNOSIS^{MR} (Diagnóstico Inteligente)



Si tiene algún problema con su refrigerador, puede transmitir datos a través de su teléfono al centro de servicios LG. Esto le otorga la capacidad de hablar directamente con nuestros especialistas capacitados. El especialista registra los datos transmitidos desde su máquina y los utiliza para analizar el problema, brindándole un diagnóstico rápido y efectivo.

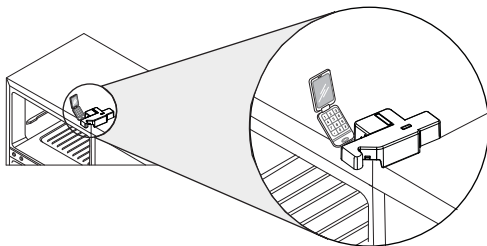
Si experimenta problema con su refrigerador, llame al Centro de Servicio LG. Únicamente utilice la función Smart Diagnosis^{MR} (Diagnóstico Inteligente) cuando el representante del centro de atención al cliente de LG le indique hacerlo. Los sonidos de transmisión que escuchará son normales y suenan de forma parecida a un equipo de fax.

No se puede activar la función Smart Diagnosis^{MR} (Diagnóstico Inteligente) a menos que su refrigerador esté enchufado. Si su refrigerador no enciende, entonces el problema debe solucionarse sin utilizar Smart Diagnosis^{MR} (Diagnóstico Inteligente).

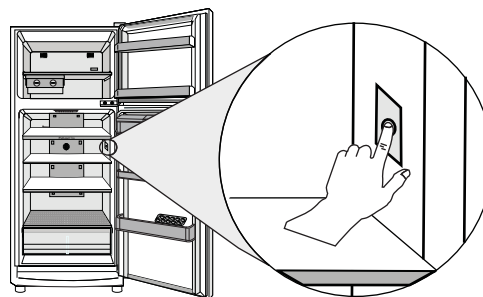
Uso de Smart Diagnosis^{MR} (Diagnóstico Inteligente)

Primero, comuníquese al Centro de Servicio LG. Únicamente utilice la función Smart Diagnosis^{MR} (Diagnóstico Inteligente) cuando el representante del centro de atención al cliente de LG le indique hacerlo.

- 1 Abra la puerta del refrigerador.
- 2 Cuando el Centro de Servicios le pida que lo haga, coloque el micrófono de su teléfono cerca del parlante que se encuentra en la parte superior derecha del refrigerador.



- 3 Presione 5 veces el interruptor de detección de la puerta abierta, tal como se muestra en la figura, para hacer que la luz del compartimento del refrigerador comience a parpadear.



- 4 Sostenga el teléfono en el lugar hasta que finalice el tono de transmisión. Una vez que la transmisión ha finalizado y los tonos se hayan detenido, continúe su conversación con el especialista, quien podrá entonces ayudarlo utilizando la información que se transmitió para analizar.

! NOTA

- Para obtener los mejores resultados, no mueva el teléfono mientras se transmiten los tonos.
- Si el representante del Centro de Atención al Cliente no puede grabar con precisión los datos, quizá le pida que lo intente de nuevo.

! NOTA

- Las diferencias de la calidad de la llamada por región pueden afectar la función.
- Use el teléfono de línea para una mejor comunicación, resultando en un mejor servicio.
- Una mala calidad de la llamada puede resultar en una muy mala transmisión de datos desde su teléfono a la máquina, lo que podría causar que Smart Diagnosis^{MR} (Diagnóstico Inteligente) no funcione correctamente.

SOLUCIÓN DE PROBLEMAS

Consulte la sección Solución de problemas antes de llamar al centro de servicio, hacerlo le hará ahorrar tiempo y dinero.

ESPAÑOL

Problema	Causas posibles	Soluciones
El refrigerador y sección del congelador no están refrigerando.	El control del refrigerador está en posición OFF (apagado), algunos modelos.	Ponga el control en posición ON (encendido). Consulte la sección de Ajuste de los controles para ver los ajustes de temperatura apropiados.
	El refrigerador está en el ciclo de descongelamiento.	Durante el ciclo de descongelamiento, es posible que la temperatura de cada compartimento suba un poco. Espere 30 minutos y compruebe que se haya restaurado la temperatura apropiada una vez completo el ciclo de descongelamiento.
	El refrigerador se instaló recientemente.	Puede tomar hasta 24 horas para que cada compartimento alcance la temperatura deseada.
	El refrigerador se cambió de lugar recientemente.	Si el refrigerador estuvo almacenado durante mucho tiempo o se movió sobre su costado, es necesario que el refrigerador esté en posición vertical durante 24 horas antes de conectarlo a una fuente de energía.
El sistema de refrigeración funciona demasiado tiempo.	El refrigerador está reemplazando un modelo anterior.	Los refrigeradores modernos requieren más tiempo de operación pero usan menos energía debido a que existe tecnología más eficiente.
	El refrigerador se enchufó recientemente o se restauró la energía hace poco.	Tomará hasta 24 horas para que el refrigerador se enfríe completamente.
	Se abrió la puerta a menudo o se agregó una gran cantidad de alimentos/comida caliente.	Agregar comida y abrir la puerta aumenta la temperatura del refrigerador, lo que obliga al compresor a funcionar durante más tiempo para poder volver a enfriar el refrigerador. Para ahorrar energía, intente sacar todo lo que necesite del refrigerador de una sola vez, mantenga los alimentos organizados para que resulte fácil encontrarlos y cierre la puerta en cuanto haya sacado los alimentos (Consulte Sugerencias para el almacenamiento de alimentos).
	Las puertas no están cerradas del todo.	Empuje las puertas firmemente para cerrarlas. Si no se cierran del todo, consulte la sección Las puertas no se cierran completamente o se abren en la Guía para la solución de problemas.
El refrigerador está instalado en un lugar caluroso.	El compresor funcionará durante más tiempo en condiciones calurosas. A temperaturas ambiente normales 21°C (70°F), el compresor debería funcionar entre el 40% y el 80% del tiempo. En condiciones más calurosas, sería esperable que funcionara aún más a menudo. No se debe operar el refrigerador a temperaturas que superen los 43°C (110°F).	

Problema	Causas posibles	Soluciones
La sección de refrigerador o del congelador está demasiado cálida.	El refrigerador se instaló recientemente.	Puede tomar hasta 24 horas para que cada compartimento alcance la temperatura deseada.
	Las ventilaciones de aire están bloqueadas. Circula aire frío desde el congelador hasta la sección de alimentos frescos y de vuelta, por las ventilaciones de aire que hay en la pared que dividen las dos secciones.	Localice las ventilaciones de aire usando su mano para sentir el flujo de aire y mueva todos los envases que bloqueen las ventilaciones y restrinjan el flujo de aire. Reordene los artículos para permitir que el aire circule por el compartimento.
	Las puertas se abren a menudo o durante mucho tiempo.	Cuando las puertas se abren a menudo o durante mucho tiempo, el aire cálido y húmedo ingresa en el compartimento. Esto aumenta la temperatura y el nivel de humedad dentro del compartimento. Para disminuir el efecto, reduzca la frecuencia y duración de la apertura de las puertas.
	La unidad está instalada en un lugar cálido.	No se debe operar el refrigerador a temperaturas por encima de los 43°C (110°F).
	Se agregó gran cantidad de alimentos o alimentos calientes a cualquiera de los compartimentos.	Agregar muchos alimentos calientes al compartimento hace que se sea necesario que opere el sistema de refrigeración. Permitir que los alimentos calientes se enfríen hasta estar a temperatura ambiente antes de guardarlos en el refrigerador reducirá este efecto.
	Las puertas no están correctamente cerradas.	Consulte la sección Las puertas no se cierran correctamente o se abren en la Guía para la solución de problemas de componentes y funciones.
	El control de temperatura no está en la configuración correcta.	Si la temperatura es demasiado cálida, ajuste el control de a un incremento y espere a que se estabilice la temperatura. Consulte la sección Panel de Control para obtener más información.
El ciclo de descongelamiento se completó recientemente.	Durante el ciclo de descongelamiento, es posible que la temperatura de cada compartimento aumente levemente y que se forme condensación en la pared trasera. Espere 30 minutos y compruebe que se haya restaurado la temperatura apropiada una vez completo el ciclo de descongelamiento.	
Acumulación de humedad en el interior.	Las puertas se abren a menudo o durante mucho tiempo.	Cuando las puertas se abren a menudo o durante mucho tiempo, el aire cálido y húmedo ingresa en el compartimento. Esto aumenta la temperatura y el nivel de humedad dentro del compartimento. Para disminuir el efecto, reduzca la frecuencia y duración de la apertura de las puertas.
	Las puertas no están correctamente cerradas.	Consulte la sección Las puertas no se cierran correctamente o se abren en la Guía para la solución de problemas.

Problema	Causas posibles	Soluciones
Acumulación de humedad en el interior.	El clima es húmedo.	El clima húmedo permite que ingrese humedad adicional en los compartimentos cuando se abren las puertas, lo que resulta en condensación o escarcha. Mantener un nivel razonable de humedad en el hogar ayudará a controlar la cantidad de humedad que puede ingresar en los compartimentos.
	El ciclo de descongelamiento se completó recientemente.	Durante el ciclo de descongelamiento, es posible que la temperatura de cada compartimento aumente levemente y que se forme condensación en la pared trasera. Espere 30 minutos y compruebe que se haya restaurado la temperatura apropiada una vez completo el ciclo de descongelamiento.
	Los alimentos no están correctamente envasados.	Los alimentos que se guardan sin tapar o envolver y los contenedores húmedos pueden resultar en la acumulación de humedad en cada compartimento. Seque todos los contenedores con un trapo y guarde los alimentos en envases sellados para evitar que se forme condensación y escarcha.
Los alimentos se están congelando en el compartimento del refrigerador.	Se ubicaron alimentos con alto contenido de agua cerca de una ventilación de aire.	Reordene los artículos de manera que aquellos que tienen alto contenido de agua estén lejos de las ventilaciones de aire.
	El control de temperatura del refrigerador está mal configurado.	Si la temperatura es demasiado fría, ajuste el control incrementando una posición y espere a que se establezca la temperatura. Consulte la sección Ajuste de los controles para obtener más información.
	El refrigerador está instalado en un lugar frío.	Cuando el refrigerador opera a temperaturas por debajo de los 5°C (41 °F), los alimentos se pueden congelar en el compartimento del refrigerador. No se debe operar el refrigerador a temperaturas por debajo de los 13°C (55 °F).
Se forma escarcha o cristales de hielo sobre los alimentos congelados (fuera del envase).	Las puertas se abren a menudo o durante mucho tiempo.	Cuando las puertas se abren a menudo o durante mucho tiempo, el aire cálido y húmedo ingresa en el compartimento. Esto aumenta la temperatura y el nivel de humedad dentro del compartimento. Una mayor humedad resultará en escarcha y condensación. Para disminuir el efecto, reduzca la frecuencia y duración de la apertura de las puertas.
	La puerta no se cierra bien.	Consulte la sección Las puertas no se cierran correctamente o se abren en la Guía para la solución de problemas.
La sección del refrigerador o del congelador está demasiado fría.	Configuración incorrecta del control de temperatura.	Si la temperatura es demasiado fría, ajuste el control de a un incremento y espere a que se establezca la temperatura. Consulte la sección Panel de Control para obtener más información.
Se forma escarcha o cristales de hielo sobre los alimentos congelados (dentro del envase sellado).	La condensación de los alimentos con alto contenido de agua se congeló dentro del envase.	Esto es normal para aquellos alimentos que tienen alto contenido de agua.
	El alimento ha estado en el congelador durante mucho tiempo.	No almacene alimentos con alto contenido de agua en el congelador durante largos períodos de tiempo.

Problema	Causas posibles	Soluciones
El hielo huele o sabe mal.	Los alimentos no están bien guardados en los compartimentos.	Vuelva a envolver los alimentos. Es posible que los olores se trasladen al hielo si los alimentos no están bien envueltos.
	Es necesario limpiar el interior del refrigerador.	Para más información, consulte la sección de Limpieza.
	Es necesario limpiar el contenedor en donde se almacene el hielo.	Vacíe y lave el contenedor (deseche los cubitos viejos). Asegúrese de que el contenedor esté completamente seco antes de volver a instalarlo.
Clics	El control de descongelamiento hará un chasquido cuando comience y finalice el ciclo automático de descongelamiento. El control del termostato (o del refrigerador en algunos modelos) también hará un chasquido al encenderse y apagarse.	Funcionamiento Normal.
Traqueteo	Es posible que el traqueteo provenga del flujo de refrigerante, de la línea de agua en la parte trasera de la unidad, o del refrigerador.	Funcionamiento Normal.
	El refrigerador no descansa sólidamente sobre el suelo.	El suelo es débil o irregular o es necesario ajustar las patas de nivelación. Consulte la sección Nivelación.
	Se sacudió el refrigerador con compresor lineal mientras operaba.	Funcionamiento Normal.
Silbido	El motor del ventilador evaporador está circulando aire por los compartimentos del refrigerador y congelador.	Funcionamiento Normal.
	El ventilador del condensador está forzando el aire por encima del condensador.	Funcionamiento Normal.
Gorgoteo	El refrigerante fluye por el sistema de refrigeración.	Funcionamiento Normal.
Chasquidos	Contracción y expansión de las paredes interiores debido a los cambios de temperatura.	Funcionamiento Normal.
Chisporroteos	Agua que gotea sobre el calentador de descongelamiento durante un ciclo de descongelamiento.	Funcionamiento Normal.
Vibración	Si los laterales o la parte trasera del refrigerador están tocando un mueble o pared, es posible que algunas de las vibraciones normales produzcan un sonido audible.	Para eliminar el ruido, asegúrese de que los laterales y la parte trasera no vibren contra ningún mueble o pared.

Problema	Causas posibles	Soluciones
Goteo	Agua que fluye a la bandeja de drenaje durante el ciclo de descongelamiento.	Funcionamiento normal.
Sonido pulsante o agudo.	Su refrigerador está diseñado para funcionar más eficientemente para conservar los alimentos a la temperatura deseada. Es posible que el compresor de alta eficiencia haga que su refrigerador funcione durante más tiempo que su refrigerador anterior, pero sigue ahorrando más energía que los modelos anteriores. Mientras el refrigerador está en funcionamiento, es normal escuchar un sonido pulsante o agudo.	Funcionamiento normal.
Las puertas no cierran correctamente o se abren	Hay envases de alimentos impidiendo que la puerta se cierre.	Reordene los contenedores de alimento para dejar libre la puerta y los estantes.
	El contenedor de hielo, la tapa del cajón para verduras, las bandejas, los estantes, los contenedores de las puertas o los compartimentos no están en su posición.	Empuje todos los contenedores hacia adentro y ponga la tapa del cajón para verduras, las bandejas, los estantes y los compartimentos en su posición correcta. Consulte la sección Uso del refrigerador para obtener más información.
	El refrigerador no está bien nivelado.	Consulte la sección Nivelación en la sección de Instalación del refrigerador para nivelar el refrigerador.
Las puertas son difíciles de abrir.	Las juntas están sucias o pegajosas.	Limpie las juntas y las superficies de contacto. Aplique una fina capa de abrillantador para electrodomésticos o cera de cocina en las juntas después de limpiarlas.
	La puerta se cerró recientemente.	Cuando abre la puerta, ingresa aire más caliente al refrigerador. Al enfriarse ese aire caliente, puede crear un vacío. Si le cuesta abrir la puerta, espere un minuto para permitir que la presión del aire se equilibre, y luego pruebe para ver si se abre con más facilidad.
El refrigerador se tambalea o parece inestable.	Las patas de nivelación no están bien ajustadas.	Consulte la sección Nivelación.
	El suelo no está nivelado.	Es posible que sea necesario agregar cuñas debajo de las patas de nivelación o rodillos para completar la instalación.
Las luces no funcionan.	Avería de la iluminación LED interior.	La lámpara del compartimento del refrigerador es iluminación LED interior, por lo que el mantenimiento deberá ser realizado por un técnico calificado.
El interior del refrigerador está cubierto con polvo u hollín.	El refrigerador está ubicado cerca de una fuente de calor, como por ejemplo un hogar, chimenea o vela.	Asegúrese de que el refrigerador no esté ubicado cerca de una fuente de calor, como por ejemplo un hogar, chimenea o vela.

LG ELECTRONICS U.S.A., INC.
FRIGORÍFICO LG GARANTÍA LIMITADA - U.S.A.

AVISO DE ARBITRAJE: ESTA GARANTÍA LIMITADA CONTIENE UNA CLÁUSULA DE ARBITRAJE QUE LE DEMANDA A USTED Y A LG RESOLVER CONFLICTOS A TRAVÉS DE UN ARBITRAJE VINCULANTE EN LUGAR DE HACERLO EN LA CORTE, A MENOS QUE USTED DECIDA NO PARTICIPAR. EN EL ARBITRAJE NO ESTÁN PERMITIDAS LAS ACCIONES COLECTIVAS NI LOS JUICIOS CON JURADO. POR FAVOR, VEA A CONTINUACIÓN LA SECCIÓN TITULADA "PROCEDIMIENTO PARA RESOLVER CONFLICTOS".

En caso de que su refrigerador LG ("Producto") presente alguna falla por defectos de materiales o de fabricación bajo uso apropiado y normal durante el período de garantía establecido más abajo, el mismo será reparado o reemplazado por LG Electrónicos ("LG"), a su opción. Esta garantía limitada es válida únicamente para el comprador final original del producto, y únicamente cuando el producto ha sido comprado y utilizado dentro de los Estados Unidos, incluidos los territorios norteamericanos.

PERÍODO DE GARANTÍA			
Refrigerador/Congelador	Sistema Sellado (Condensador, Filtro desecante, Tubo Conector y Evaporador)	Compresor	
		Un (1) año a partir de la fecha original de compra	Cinco (5) años a partir de la fecha original de compra
Piezas y mano de obra (solo piezas internas/funcionales)	Piezas y mano de obra	Piezas y mano de obra	

• Los productos y las piezas de repuesto están garantizados durante el tiempo restante del período original de garantía o noventa (90) días, lo que resulte mayor.

• Los productos y las piezas de repuesto pueden ser nuevos, reparados, reacondicionados, o reconstruidos por la fábrica.

• Es necesario presentar prueba de la compra minorista especificando el modelo del producto y la fecha de compra para obtener el servicio de garantía bajo esta garantía limitada.

Salvo lo prohibido por la ley, toda garantía de comercialización o idoneidad implícita, para un propósito particular en el producto, está limitada a la duración de la garantía arriba expresada. Bajo ninguna circunstancia deberá LG o sus distribuidores/representantes ser responsable por cualquier daño indirecto, incidental, consecuente, especial, o punitivo, lo cual incluye pero no se limita a, pérdida de fondos del comercio, ganancias perdidas, interrupción del trabajo, deterioro de otros bienes, costo de remover y reinstalar el producto, pérdida de uso, o cualquier otro daño ya sea basado en contrato, perjuicio, u otros. La responsabilidad total de LG, en caso exista, no excederá el precio que usted pagó por adquirir el producto.

Algunos estados no permiten la exclusión o limitación de daños incidentales o emergentes, o limitaciones a la duración de la garantía implícita, por lo que la exclusión o limitación anteriormente mencionada podrían no corresponder en su caso. Esta garantía limitada le otorga derechos legales específicos y es posible que usted cuente con otros derechos que varían según el estado.

ESTA GARANTÍA LIMITADA NO CUBRE LO SIGUIENTE:

• Viajes del servicio técnico para entregar, buscar o instalar el producto, instruir al cliente sobre la operación del mismo, corregir el cableado o las reparaciones/instalaciones no autorizadas.

• Daño o fallo del producto al operar durante fallas e interrupciones del suministro eléctrico, o resultado de un servicio eléctrico inadecuado.

• Daños o fallas causadas por tuberías de agua rotas o con fugas, tuberías de agua congeladas, líneas de desagüe restringidas, suministro de agua inadecuado o interrumpido, o suministro de aire inadecuado.

• Daños resultantes de operar el producto en una atmósfera corrosiva o contraria a las instrucciones detalladas en el manual del propietario del producto.

• Daños o fallos del producto causados por accidentes, pestes y alimañas, rayos, viento, incendio, inundaciones, hechos de fuerza mayor, o cualquier otra causa fuera del control de LG.

• Daños o fallas causados por modificaciones o alteraciones no autorizadas, o si se usa para otro fin que no sea el previsto.

• Daños o fallos resultantes de mal uso, abuso, instalación, reparación o mantenimiento incorrectos. Una reparación incorrecta incluye el uso de piezas no autorizadas, aprobadas o especificadas por LG. La instalación o el mantenimiento inadecuado incluye aquellos contrarios a lo especificado en el manual del usuario del producto.

• Daños o fallos causados por corriente o voltaje eléctrico incorrecto, o por códigos de fontanería.

• Daños o fallos causados por el transporte y el manejo, incluye rayas, muescas, astillados y/u otros daños al acabado del producto, a menos que tales daños se informen dentro del plazo de una (1) semana de la entrega.

• Daños o artículos faltantes a productos comprados con descuento, con la caja abierta o que hayan estado en exhibición.

• Productos reacondicionados o cualquier producto vendido con los avisos "En el estado actual", "En el sitio actual", "Con todos sus defectos" o similares.

• Productos cuyos números de serie originales hayan sido retirados, alterados o no se puedan determinar fácilmente.

• Aumentos en los costos de los servicios públicos y otros gastos adicionales de dichos servicios.

• Cualquier ruido asociado con la operación normal.

• Uso de accesorios (Ej, filtros de agua, etc.), componentes o productos de limpieza consumibles que no estén autorizados por LG.

• Reemplazo de focos, filtros o cualquier parte consumible.

• Cuando el producto se use de otra forma que no sea uso doméstico usual y normal (p. ej., uso comercial o industrial, en oficinas e instalaciones recreativas o vehículos) o uso contrario a las instrucciones detalladas en el manual del propietario del producto.

• Costos asociados con el retiro y la reinstalación de su producto para realizar reparaciones.

• Estantes, bandejas de puerta, cajones, manijas y accesorios, a excepción de las partes internas/funcionales cubiertas bajo esta garantía limitada.

El costo de la reparación o el reemplazo en estas circunstancias excluidas estará a cargo del consumidor. PARA OBTENER SERVICIO EN GARANTÍA E INFORMACIÓN ADICIONAL Llame al 1-800-243-0000 y seleccione la opción apropiada desde el menú. O visite nuestro sitio web en <http://www.lg.com> O por correo: LG Electronics Customer Service P.O. Box 240007 Huntsville, AL 35813 ATTN: CIC

ESPAÑOL

PROCEDIMIENTO PARA RESOLVER CONFLICTOS:

TODOS LOS CONFLICTOS ENTRE USTED Y LG QUE SURJAN FUERA DE O RELACIONADOS DE ALGUNA MANERA CON ESTA GARANTÍA LIMITADA O CON EL PRODUCTO, SE RESOLVERÁN EXCLUSIVAMENTE A TRAVÉS DE UN ARBITRAJE VINCULANTE Y NO EN UNA CORTE DE JURISDICCIÓN GENERAL. ARBITRAJE VINCULANTE SIGNIFICA QUE USTED Y LG RENUNCIAN AL DERECHO DE UN JUICIO CON JURADO Y A REALIZAR O PARTICIPAR EN UNA DEMANDA COLECTIVA.

Definiciones. Para el propósito de esta sección, las referencias a "LG" significan: LG Electronics U.S.A., Inc., sus empresas matrices, subsidiarias y filiales y cada uno de sus directivos, directores, empleados, agentes, beneficiarios, predecesores en interés, sucesores, cesionarios y proveedores; las referencias a "conflicto" o "reclamación" incluirán cualquier conflicto, reclamo o controversia de cualquier tipo, sin importar (ya sea basado en contrato, agravio, estatuto, regulación, ordenanza, fraude, falsa representación o cualquier teoría legal o equitativa) que surja de o esté relacionada con cualquier forma de venta, condición o desempeño del producto o de esta Garantía Limitada.

Aviso de disputa. En caso de que usted desee iniciar un procedimiento de arbitraje, primero debe notificar a LG por escrito al menos 30 días antes de iniciar el arbitraje enviando una carta a LG a LG Electronics, USA, Inc. Atención: Legal Department-Arbitration 1000 Sylvan Ave, Englewood Cliffs 07632. Usted y LG aceptan participar en discusiones de buena fe en un intento de resolver su reclamo de manera amistosa. En la carta debe proporcionar su nombre, dirección y número de teléfono; identificar el producto que es objeto de la reclamación; y describir la naturaleza del reclamo y el remedio que busca. Si usted y LG no puede resolver la disputa dentro de 30 días, cualquiera de las partes puede proceder a presentar una demanda de arbitraje.

Acuerdo de arbitraje vinculante y renuncia de demanda colectiva. En caso de no resolver la disputa durante el período de 30 días después de enviar una notificación por escrito a LG, Usted y LG se comprometen a resolver cualquier reclamo entre nosotros, solamente a través de arbitraje vinculante sobre una base individual, a menos que usted se excluya, conforme a lo dispuesto a continuación. Cualquier conflicto entre usted y LG no estarán combinados o consolidados con una controversia relacionada con cualquier otro producto o reclamo de otra persona o entidad. Más específicamente y sin perjuicio de lo anterior, no procederá bajo ninguna circunstancia cualquier disputa entre usted y LG como parte de una acción colectiva o representativa. En lugar del arbitraje, cualquiera de las partes podrá iniciar una acción individual en la corte de reclamos menores, pero tales acciones en la corte de reclamos menores no podrán ser realizadas en una acción colectiva o representativa.

Normas y procedimientos de arbitraje. Para comenzar con el arbitraje de un reclamo, usted o LG deben realizar una demanda escrita para arbitraje. El arbitraje será administrado por la Asociación Americana de Arbitraje (AAA) y se llevará a cabo ante un árbitro único bajo las Normas de Arbitraje del Consumidor de la AAA, que tienen efecto al momento de inicio del arbitraje (en adelante "Normas de la AAA") y bajo los procedimientos establecidos en esta sección. Las Normas de la AAA están disponibles en línea en www.adr.org/consumer. Envíe una copia de su solicitud de arbitraje por escrito, así como una copia de esta disposición, a la AAA de la forma descrita en las Normas de la AAA. También debe enviar una copia de su solicitud por escrito a LG en LG Electronics, USA, Inc. Atención: Legal Department-Arbitration 1000 Sylvan Ave, Englewood Cliffs 07632. Si hay un conflicto entre las Normas de la AAA y las reglas establecidas en esta sección, prevalecerán dichas reglas de esta sección. Esta disposición de arbitraje se rige por la Ley Federal de Arbitraje. El juicio se puede introducir en el laudo arbitral en cualquier tribunal de jurisdicción competente. Todos son temas para que el árbitro tome sus decisiones, excepto aquellos asuntos relativos al alcance y aplicabilidad de la cláusula de arbitraje y de la capacidad de arbitraje de la controversia para que el tribunal decida. El árbitro se registrará por los términos de esta disposición.

Legislación vigente. La legislación del estado de su residencia registrará esta Garantía Limitada, así como todas las disputas entre nosotros, salvo que sea invalidada o inconsistente con leyes federales aplicables.

Tarifas / Costos. Usted no debe pagar ninguna tarifa para comenzar un arbitraje. Al recibir su solicitud de arbitraje por escrito, LG pagará todos los gastos administrativos rápidamente a la AAA, a menos que usted solicite más de \$25,000.00 por daños, en cuyo caso el pago de estos gastos se registrará por las Normas de la AAA. Salvo disposición contraria prevista en el presente documento, LG pagará a la AAA todos los gastos documentales, administrativos y de arbitraje para cualquier arbitraje iniciado, de conformidad con las Normas de la AAA y esta disposición de arbitraje. Si usted prevalece en el arbitraje, LG pagará los honorarios y gastos de sus abogados, siempre y cuando sean razonables, considerando factores que incluyen, entre otros, el monto de la compra y el monto del reclamo. No obstante lo anterior, si la ley aplicable permite una adjudicación de honorarios y gastos razonables de abogados, un árbitro puede otorgarlos en la misma medida que lo haría un tribunal. Si el árbitro considera que la sustancia de su reclamo o la reparación solicitada en la demanda es frívola o se utiliza para un propósito inadecuado (calificado según las normas establecidas en la Norma Federal de Procedimiento Civil 11 (b)), el pago de todos los honorarios de arbitraje se registrará por las Normas de la AAA. En tal situación usted se compromete a reembolsar a LG todos los fondos erogados previamente por ella, cuyo pago es, por otra parte, su obligación, según las Normas de la AAA. Salvo disposición contraria, LG renuncia a cualquier derecho que pudiera tener para solicitarle los honorarios y gastos de sus abogados, si LG prevalece en el arbitraje.

Audiencias y ubicación. Si su reclamo es por \$25,000 o menos, usted puede optar que el arbitraje sea realizado únicamente sobre la base de: (1) documentos presentados al árbitro, (2) a través de una audiencia telefónica o (3) por una audiencia en persona, según lo establecido por las Normas de la AAA. Si su reclamo excede \$25,000, el derecho a una audiencia estará determinado por las Normas de la AAA. Cualquier audiencia de arbitraje en persona se realizará en un lugar dentro del distrito judicial federal en el cual resida, a menos que ambos acuerden otra ubicación o estemos de acuerdo con el arbitraje telefónico.

Exclusión. Usted puede quedarse fuera de este procedimiento de resolución de la disputa. Si se excluye, ni usted ni LG pueden solicitar al otro que participe en un procedimiento de arbitraje. Para excluirse usted debe enviar una notificación a LG, en un lapso de hasta 30 días continuos, contados a partir de la fecha de la primera compra del consumidor del producto, ya sea por: (i) el envío de un correo electrónico a optout@lge.com con el siguiente Asunto: "Exclusión del arbitraje" o (ii) llamada al 1-800-980-2973. Debe incluir en el correo electrónico de exclusión o suministrar por teléfono: (a) su nombre y dirección; (b) la fecha en la cual el producto fue comprado; (c) el nombre o el número del modelo del producto; y (d) el número del serial (el número del serial puede ser hallado (i) en el producto, o (ii) en la dirección de <https://www.lg.com/us/support/repair-service/schedule-repair-continued> al hacer clic en "Find My Model & Serial Number").

Sólo puede excluirse del procedimiento de resolución de conflictos en la forma descrita anteriormente (es decir, por correo electrónico o por teléfono); ninguna otra forma de notificación será efectiva para hacerlo. Excluirse de este procedimiento de resolución de controversias no afectará de ninguna manera la cobertura de la Garantía Limitada, por lo que usted continuará disfrutando de todos sus beneficios. Si conserva este producto y no se excluye, usted acepta todos los términos y condiciones de la cláusula de arbitraje descrita anteriormente.



FRANÇAIS

MANUEL DU PROPRIÉTAIRE RÉFRIGÉRATEUR AVEC COMPARTIMENT CONGÉLATEUR SUPÉRIEUR

Veillez lire ce manuel attentivement avant utilisation et le garder à portée de main pour pouvoir le consulter à tout moment.

Nom du Modèle

LTNC11121V

www.lg.com

Copyright © 2014 - 2017 LG Electronics Inc. Tous droits réservés.

SOMMAIRE

3 CARACTÉRISTIQUES DU PRODUIT

4 CONSIGNES IMPORTANTES DE SÉCURITÉ

7 COMPOSANTS

7 Extérieur du réfrigérateur

8 Intérieur du réfrigérateur

9 INSTALLATION

9 Présentation de l'installation

9 Spécifications

10 Déballage du réfrigérateur

10 Choisir l'emplacement adéquat

10 - Revêtement de sol

10 - Température ambiante

11 - Mesurer les dégagements

11 Mise sous tension

11 Nivellement

12 MODE D'EMPLOI

12 Avant utilisation

13 Panneau de commande

14 Stockage des aliments

14 - Emplacements de préservation des aliments

15 - Conseils de stockage des aliments

15 - Stockage d'aliments congelés

16 Bacs à légume à contrôle d'humidité et tiroir

16 Bacs de la porte

16 Réglage des étagères

17 ENTRETIEN

17 Nettoyage

18 SMART DIAGNOSIS™

18 Utiliser Smart Diagnosis™

19 DÉPANNAGE

24 GARANTIE

CARACTÉRISTIQUES DU PRODUIT

* Selon le modèle, certaines des fonctionnalités suivantes peuvent être indisponibles.



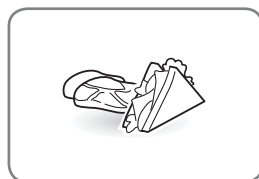
SMART DIAGNOSIS™ (Diagnostic Intelligent)

Utilisez la fonction de contacter le centre de service et recevoir un diagnostic précis lorsque le réfrigérateur ne fonctionne pas correctement ou échoue. Son utilisation est exclusivement pour la consultation, ne pas utiliser pendant la fonctionnement normal.



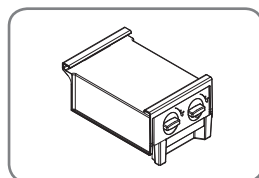
BACS À LÉGUME À HUMIDITÉ CONTRÔLÉE

Les bacs à légume à humidité contrôlée sont conçus pour maintenir vos fruits et légumes frais et croquants. Vous pouvez contrôler la quantité d'humidité dans les bacs à légume en réglant les paramètres entre Low (Faible) et High (Haut).



TIROIR EXTRACTIBLE

Le tiroir extractible avance pour permettre un accès facile aux aliments.



MACHINE À GLAÇONS

Pour répondre à son espace a besoin de votre machine à glaçons peut se déplacer d'un côté à l'autre.



ATTENTION

Connectez à une source d'eau potable uniquement.

CONSIGNES IMPORTANTES DE SÉCURITÉ

LISEZ L'ENSEMBLE DES CONSIGNES AVANT D'UTILISER CET APPAREIL.

Ce guide contient de nombreux messages de sécurité importants. Lisez et respectez toujours l'ensemble des messages de sécurité.



Ceci est le symbole d'alerte de sécurité. Il vous alerte de messages de sécurité qui vous informent de dangers qui peuvent vous tuer ou vous blesser, blesser autrui ou causer des dommages au produit.

Tous les messages de sécurité seront précédés par le symbole d'alerte de sécurité et d'un mot:



DANGER

Vous pouvez être tué ou gravement blessé si vous ne suivez pas ces instructions.



AVERTISSEMENT

Indique une situation extrêmement dangereuse qui, si elle n'est pas évitée, peut entraîner des blessures mineures ou modérées, ou endommager le produit.



ATTENTION

Pour réduire le risque d'incendie, d'électrocution ou de blessures lors de l'utilisation de votre produit, suivre les précautions de sécurité de base, y compris ce qui suit:

Cordon

- Ne débranchez JAMAIS votre réfrigérateur en tirant sur le câble d'alimentation. Tenez toujours la fiche fermement et retirez-la bien droite de la prise.
- Réparez ou remplacez immédiatement tout câble électrique abîmé ou usé. N'utilisez pas de câble électrique montrant des fissurations ou des signes d'usure sur sa longueur ou à ses extrémités.
- N'utilisez pas de prise de courant non certifiée conforme.
- Débranchez immédiatement le cordon d'alimentation en cas de panne ou d'orage.
- Branchez le cordon d'alimentation en tenant la fiche vers le bas.

Installation

- Contactez un centre de dépannage agréé lorsque vous installez ou déplacez le réfrigérateur.
- Lorsque vous éloignez le réfrigérateur du mur, faites attention à ne pas écraser ou endommager le câble électrique.
- Avant de l'utiliser, assurez-vous que vous branchez ce produit à une prise électrique dédiée reliée à la masse et calibrée pour ce produit (115V, 60Hz, CA seulement). Il est de la responsabilité de l'utilisateur de remplacer les prises murales standard à 2 trous par des prises murales standard à 3 trous.
- N'installez pas le réfrigérateur s'il existe un risque que l'unité bascule.

Utilisation

- NE LAISSEZ PAS les enfants escalader, se tenir debout sur, ou se balancer depuis les portes ou étagères du réfrigérateur. Ils peuvent se blesser gravement et endommager l'appareil.
- Veillez à ne pas accrocher ou placer d'objets lourds sur le distributeur du réfrigérateur.
- Ne placez pas d'objets lourds ou dangereux (bouteilles pleines) sur le réfrigérateur.
- Ne placez pas d'animaux vivants à l'intérieur du réfrigérateur.
- Ne laissez pas les enfants grimper dans le réfrigérateur en marche.
- En cas de fuite de gaz (propane ou GPL), vérifiez la bonne aération de la pièce et contactez un centre de dépannage agréé avant toute utilisation. Veillez à ne pas toucher ni démonter la prise électrique du réfrigérateur.
- En cas de fuite de gaz réfrigérant, éloignez les objets inflammables du réfrigérateur. Vérifiez la bonne aération de la pièce et contactez un centre de dépannage agréé.
- Veillez à ne pas utiliser ni placer de substances inflammables (produits chimiques, médicaments, produits cosmétiques, etc.) près du réfrigérateur et à ne pas les stocker à l'intérieur de l'appareil. Ne placez pas le réfrigérateur à proximité de gaz inflammable.

LISEZ L'ENSEMBLE DES CONSIGNES AVANT D'UTILISER CET APPAREIL.

Pour réduire le risque d'incendie, de choc électrique ou de blessure corporelle, les précautions de sécurité élémentaires doivent être respectées, notamment les suivantes :

- Ce produit ne convient pas à des fins particulières telles que le stockage des médicaments ou des matériaux de test, ou à une utilisation sur des navires, etc.
- Débranchez le cordon d'alimentation avant de nettoyer ou de réparer le réfrigérateur.
- Veillez à ne pas modifier ni rallonger le câble d'alimentation.
- Veillez à ne pas utiliser de séchoir ni allumer de bougie pour éliminer les odeurs à l'intérieur.
- Pour votre sécurité, cet appareil doit être correctement relié à la masse. Faites vérifier la prise murale et le circuit électrique par un électricien qualifié afin de vous assurer que la prise est correctement reliée à la masse.
- N'utilisez pas de prise contrôlée par un interrupteur. N'utilisez pas de rallonge. Il est de la responsabilité de l'utilisateur de remplacer les prises murales standard à 2 trous par des prises murales standard à 3 trous.
- Ne coupez ni ne retirez sous aucune circonstance la troisième broche (de mise à la masse) du câble électrique.
- Veillez à ne pas utiliser d'adaptateur ni de multiprise.
- Débranchez immédiatement le cordon d'alimentation si vous entendez un bruit, sentez une odeur étrange ou détectez de la fumée provenant de l'appareil.
- Mettez l'appareil hors tension si de l'eau ou de la poussière pénètre dans le réfrigérateur. Appelez un agent de dépannage.
- N'essayez pas de démonter ou de modifier le réfrigérateur.
- Ne posez pas les mains, les pieds ou des objets métalliques sous ou derrière le réfrigérateur.
- Veillez à ne pas utiliser le réfrigérateur ni toucher le cordon d'alimentation avec des mains mouillées.
- Ne touchez pas les surfaces froides dans le compartiment congélateur avec des mains humides ou mouillées lorsque le réfrigérateur est en marche.
- Ne pas mettre les récipients en verre, des bouteilles en verre ou les boissons gazeuses dans le congélateur.
- Cet appareil n'est pas destiné à être utilisé par des personnes (notamment des enfants) dont les capacités physiques, sensorielles ou intellectuelles sont réduites, ou par des personnes manquant d'expérience ou de connaissances, sauf sous la supervision ou sur les consignes d'une personne responsable de leur sécurité.
- Ne recongelez pas d'aliments ayant complètement décongelé. Cela peut entraîner de graves problèmes de santé.
- Si vous décidez de jeter votre ancien réfrigérateur, assurez-vous que le gaz réfrigérant (CFC ou HCFC) est retiré de manière appropriée par un technicien qualifié. Si vous relâchez ces gaz dans la nature, vous risquez une amende ou une peine de prison conformément aux lois environnementales en vigueur.
- Les réfrigérateurs jetés ou abandonnés sont dangereux, même s'ils ne sont laissés que quelques jours. Lorsque vous jetez votre réfrigérateur, retirez le matériel d'emballage de la porte ou démontez celles-ci mais laissez les étagères en place afin que les enfants ne puissent pas facilement grimper à l'intérieur.
- Si le réfrigérateur est branché sur un circuit protégé par des fusibles, veillez à utiliser des fusibles temporisés.
- Ne pas endommager le circuit frigorifique.

LISEZ L'ENSEMBLE DES CONSIGNES AVANT D'UTILISER CET APPAREIL.

Pour réduire le risque d'incendie, de choc électrique ou de blessure corporelle, les précautions de sécurité élémentaires doivent être respectées, notamment les suivantes:


AVERTISSEMENT
Installation

- Ce réfrigérateur doit être correctement installé conformément aux Consignes pour l'installateur qui ont été collées sur la partie avant du réfrigérateur.
- Faites attention lorsque vous déballez et installez le réfrigérateur. Jetez immédiatement les plastiques et autres matériaux d'emballage hors de portée des enfants.
- L'appareil doit être positionné pour permettre l'accès facile à une source d'alimentation.

Utilisation

- Fermez la porte avec soin lorsque des enfants sont à proximité.
- Gardez les mains éloignées des zones où vos doigts peuvent être pincés ; les espaces entre les portes et les bacs sont nécessairement faibles. Faites attention en fermant les portes lorsque des enfants sont à proximité.
- En cas de mauvais rangement des aliments, ceux-ci peuvent tomber et causer des blessures.
- N'utilisez pas d'aérosol à proximité du réfrigérateur.
- Ne stockez pas d'éléments sur le dessus de l'appareil.

Entretien

- N'utilisez pas de détergents puissants tels que la cire ou les solvants pour le nettoyage. Nettoyez avec un chiffon doux.
- Essuyez régulièrement les corps étrangers (tels que l'eau et la poussière) des fiches du câble d'alimentation et des surfaces de contact.
- Veillez à ne pas stocker, démonter ou réparer le réfrigérateur par vous-même.
- Retirez toute poussière ou corps étrangers des fiches du câble d'alimentation.
- N'utilisez pas de chiffon humide ou mouillé lorsque vous nettoyez le câble d'alimentation.
- Si le réfrigérateur est débranché de la prise, attendez au moins cinq minutes avant de le brancher à nouveau.
- Si vous remarquez une odeur de produit chimique ou de plastique brûlé ou que vous détectez de la fumée, débranchez immédiatement le réfrigérateur et contactez votre centre de dépannage LG Electronics.


AVERTISSEMENT

Ce produit contient des produits chimiques que l'État de la Californie considère comme susceptibles de causer des cancers, des anomalies congénitales ou d'autres troubles de la reproduction. **Lavez-vous les mains après la maintenance.** (Seulement Etats-Unis).


DANGER
AUCUNE UTILISATION DES DISPOSITIFS MÉCANIQUES

Ne pas utiliser de dispositifs mécaniques ou autres des moyens d'accélérer le processus de dégivrage, que ceux recommandés par le fabricant.


DANGER
SAUVEGARDER NO APPAREILS MÉCANIQUES

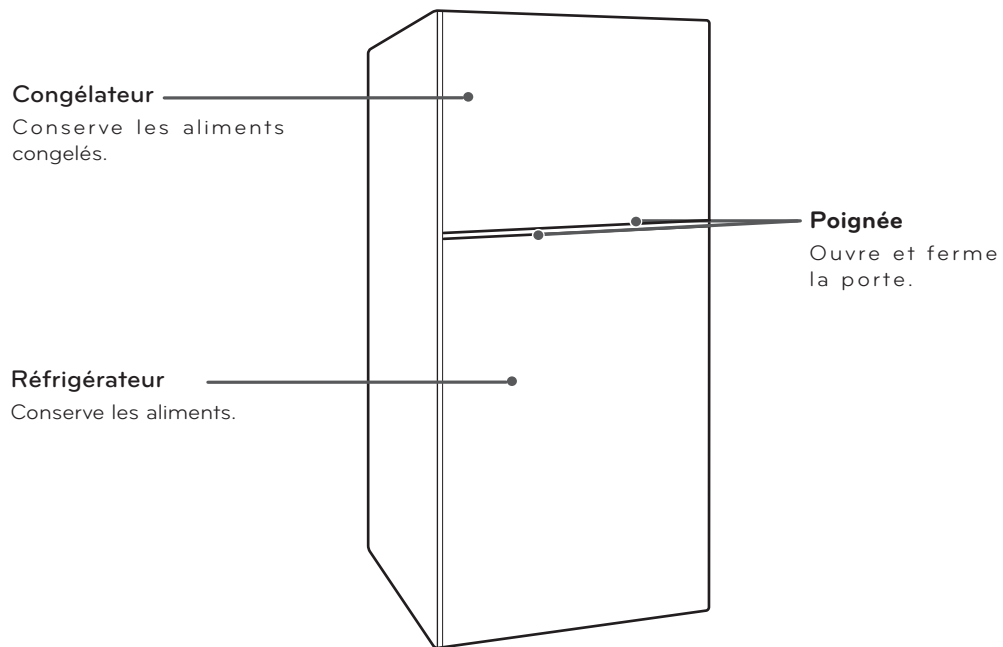
Ne pas utiliser d'appareils électriques à l'intérieur du compartiment de stockage des aliments, à moins qu'ils soient du type recommandé par le fabricant.

CONSERVEZ CES CONSIGNES

COMPOSANTS

Utilisez cette page pour vous familiariser avec les pièces et fonctionnalités de votre réfrigérateur.

Extérieur du réfrigérateur



Intérieur du réfrigérateur

FRANÇAIS

Lampes intérieures à diode

Les lampes intérieures éclairent l'intérieur du réfrigérateur.

Tiroir extractible

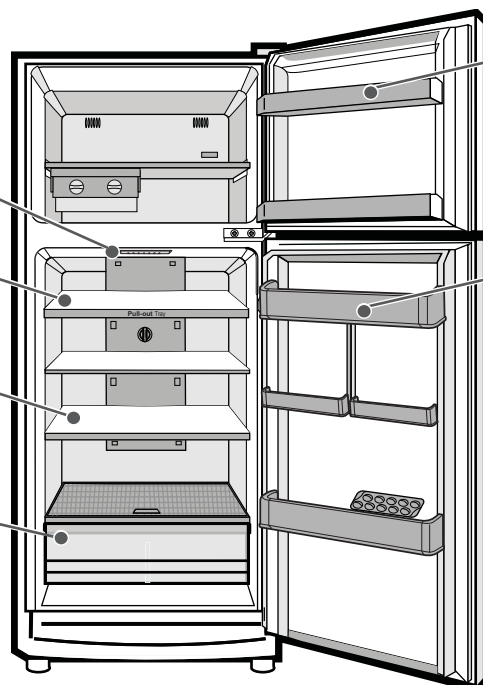
Avance pour permettre un accès facile aux aliments.

Étagère du réfrigérateur

Les étagères de votre réfrigérateur sont réglables pour répondre à vos besoins.

Bac à légume

Contrôle l'humidité et maintient les fruits et légumes croquants.



Bacs de porte (Congélateur)

Les bacs de porte sont amovibles pour faciliter le nettoyage.

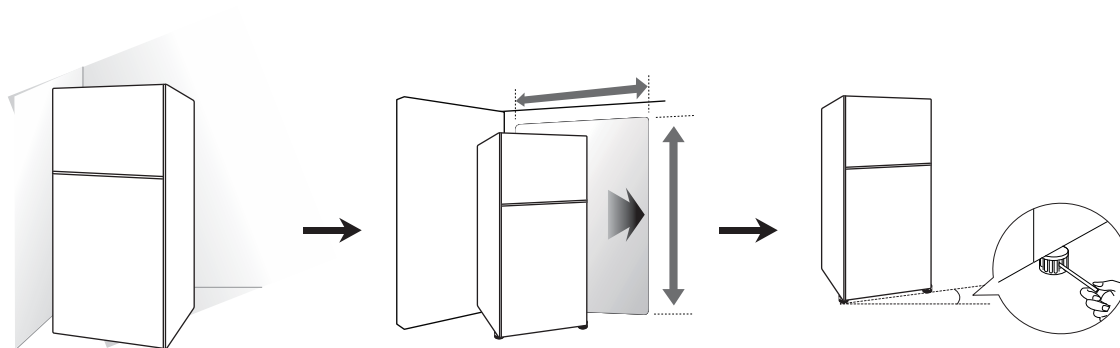
Bacs de porte (Réfrigérateur)

Bacs interchangeables pouvant être disposés en fonction de vos besoins de stockage.

INSTALLATION

Présentation de l'installation

Veillez lire les consignes d'installation suivantes après l'achat du produit ou lors de son déplacement.



1 Déballage
du réfrigérateur

2 Choisir l'emplacement
adéquat

3 Nivellement et Alignement
des Portes

FRANÇAIS

Cet appareil est destiné à être utilisé à la maison et autres applications similaires, tels que:

- Cuisine -Personnel dans les magasins, bureaux et autres des milieux de travail; Les maisons de ferme et les clients dans les hôtels, motels et environnements résidentiels.
- Environnements et hébergements type de petit-déjeuner; Et batisse applications non-détail similaires.

Spécifications

L'apparence et les spécifications indiquées dans ce manuel peuvent varier en raison de l'amélioration constante du produit.

Dimensions	Largeur 24" (610 mm)	Profondeur 26" (661 mm)	Hauteur 66 1/2 " (1690 mm)
Poids net	562 kg (124 livres)		

Déballage du réfrigérateur



ATTENTION

- Faites-vous aider de deux personnes ou plus pour déplacer ou installer le réfrigérateur. Le non-respect de ces consignes peut entraîner des blessures au dos ou à d'autres membres.
- Votre réfrigérateur est lourd. Lorsque vous le déplacez pour le nettoyer ou le dépanner, assurez-vous de protéger le sol. Tirez toujours le réfrigérateur bien droit lorsque vous le déplacez. N'essayez pas de le remuer ou de le faire "marcher" pour le déplacer afin de ne pas endommager votre sol.
- Maintenez les matériaux et les vapeurs inflammables, comme l'essence, éloignés du réfrigérateur. Le non-respect de ces consignes peut entraîner la mort, une explosion ou un incendie.

Avant d'installer votre réfrigérateur, retirez les adhésifs ou autocollants temporaires. Ne retirez pas les autocollants annonçant un danger, les étiquettes de numéro de série et de modèle, ou la fiche technique située à l'arrière du réfrigérateur.

Pour retirer les résidus de ruban adhésif, frottez bien la zone avec vos doigts. Les résidus d'adhésif ou de colle peuvent aussi être facilement retirés en frottant une petite quantité de liquide vaisselle sur l'adhésif avec les doigts. Rincez avec de l'eau chaude et séchez.

N'utilisez pas d'objets coupants, d'alcool à frotter, de liquides inflammables ou de produits de nettoyage abrasifs pour retirer l'adhésif ou la colle. Ces produits peuvent endommager la surface de votre réfrigérateur.

Les étagères du réfrigérateur sont installées en position de transport. Remplacez-les en fonction de vos besoins individuels en termes d'espace.

Choisir l'emplacement adéquat

- Branchez toujours votre réfrigérateur à une prise individuelle reliée à la masse recevant un courant alternatif de 115 V, 60 Hz, et protégée par un fusible de 15 A pour un fonctionnement optimal du réfrigérateur et pour éviter de surcharger les circuits électriques du logement, causant ainsi un risque d'incendie par des câbles surchauffés.



ATTENTION

Afin de réduire le risque de choc électrique, n'installez pas le réfrigérateur dans un espace humide.

Revêtement de sol

Pour réduire les bruits et vibrations, l'appareil DOIT être installé sur un sol construit en dur. Si nécessaire, ajustez les pieds de nivellement pour compenser l'irrégularité du sol. La partie frontale doit être légèrement plus haute que la partie arrière pour aider à la fermeture de la porte. Les pieds de nivellement peuvent être tournés facilement en inclinant légèrement le meuble. Tournez le pied de nivellement vers la gauche pour soulever l'appareil ou vers la droite pour l'abaisser (Voir Nivellement).



REMARQUE

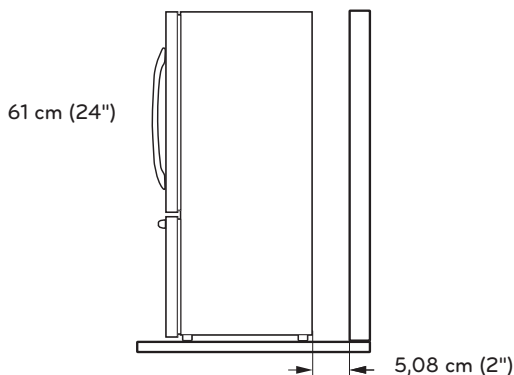
Il n'est pas recommandé d'installer le réfrigérateur sur de la moquette, une surface de dalles souples, une plateforme ou une structure faiblement soutenue.

Température ambiante

Installez cet appareil dans une zone où la température est comprise entre 13°C et 43°C. Si la température ambiante est trop basse ou trop élevée, les capacités de refroidissement en seront affectées.

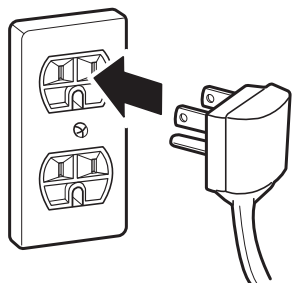
Mesurer les dégagements

Une trop grande proximité des meubles voisins peut entraîner une diminution des capacités de congélation et une augmentation des frais de consommation électrique. Dégagez au moins 61 cm (24") devant le réfrigérateur pour ouvrir les portes, et au moins 5,08 cm (2") entre l'arrière du réfrigérateur et le mur.



Mise sous tension

1 Branchez le réfrigérateur à la prise.



AVERTISSEMENT

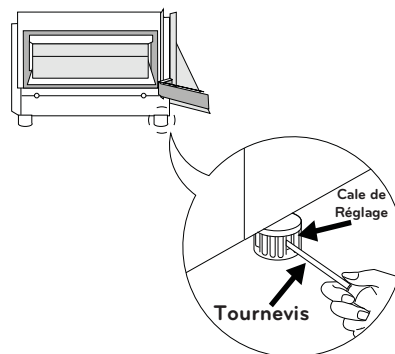
- Branchez-vous à une prise de courant calibrée.
- Faites vérifier par un électricien que la prise murale et le câblage sont correctement reliés à la masse.
- Veillez à ne pas endommager ni raccourcir la broche de masse du cordon d'alimentation.

Nivellement

Après l'installation, branchez le câble d'alimentation du réfrigérateur dans la prise 3 broches reliée à la masse et repoussez le réfrigérateur en position définitive.

Le réfrigérateur comporte deux cales de réglage à l'avant, une du côté droit, l'autre du côté gauche. Ajustez les cales de réglage pour modifier l'inclinaison avant-arrière ou côté à côté. Si le réfrigérateur semble instable, ou si vous souhaitez que les portes se ferment plus facilement, réglez l'inclinaison du réfrigérateur en utilisant les instructions ci-dessous:

1. Tournez la cale de réglage dans le sens inverse des aiguilles d'une montre (↺) pour soulever ce côté du réfrigérateur ou dans le sens des aiguilles d'une montre (↻) pour l'abaisser. Il faudra éventuellement plusieurs tours de cales de réglage pour régler l'inclinaison du réfrigérateur.



REMARQUE

Demandez à une personne de pousser vers l'arrière le haut du réfrigérateur pour retirer une partie du poids sur les cales de réglage. Cela simplifie le réglage des cales.

2. Ouvrez de nouveau les portes pour vérifier qu'elles se ferment facilement. Si les portes ne se ferment pas facilement, inclinez le réfrigérateur un peu plus vers l'arrière en tournant les deux cales de réglage dans le sens inverse des aiguilles d'une montre. Il faudra éventuellement plusieurs tours, et vous devrez effectuer le même nombre de tours pour les deux cales de réglage.

MODE D'EMPLOI

Avant utilisation



Nettoyez le réfrigérateur.

Nettoyez bien votre réfrigérateur et essuyez toute la poussière qui peut s'être accumulée en cours de transport.



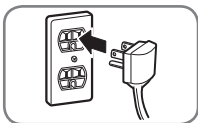
AVERTISSEMENT

- Veillez à ne pas rayer le réfrigérateur avec un objet pointu ou un détergent à base d'alcool, un liquide inflammable ou abrasif lorsque vous retirez la colle des rubans adhésifs du réfrigérateur.
- Ne décollez pas l'étiquette contenant le numéro de modèle ou le numéro de série, ou les informations techniques sur la surface arrière du réfrigérateur.



REMARQUE

Retirez les restes de colle des autocollants en les essuyant avec le pouce ou avec du liquide vaisselle.



Branchez le câble d'alimentation.

Vérifiez si le cordon d'alimentation est branché avant toute utilisation. Lisez la section "Mise sous tension".

Laissez le réfrigérateur refroidir.

Laissez votre réfrigérateur fonctionner pendant au moins deux à trois heures avant d'y ranger des aliments. Vérifiez le flux d'air froid dans le compartiment congélateur pour garantir un bon refroidissement.



AVERTISSEMENT

Le rangement d'aliments encore chauds dans le réfrigérateur peut causer le développement d'une mauvaise odeur à l'intérieur du réfrigérateur.

Le réfrigérateur fait beaucoup de bruit à l'allumage.

Cela est normal. Le niveau sonore diminuera à mesure que la température baissera.

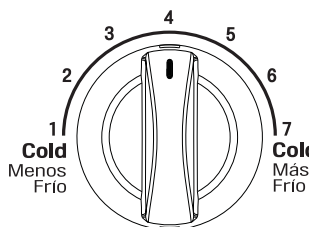


Ouvrez les portes pour aérer l'intérieur.

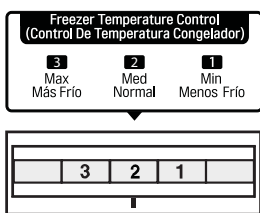
L'intérieur du réfrigérateur peut sentir le plastique au début. Ouvrez les portes et les tiroirs pour aérer.

Panneau de commande

Fonctions du panneau de commande



Contrôle la température du compartiment du réfrigérateur. Tourner la molette au réglage souhaité (de 1 à 7).



Contrôle le flux d'air froid passant du congélateur vers le réfrigérateur. Changer le réglage en le faisant glisser doucement. La flèche indique le réglage sélectionné (de 1 à 3).

FRANÇAIS

Ajuster le paramètre de température en fonction de la quantité de nourriture stockée, à l'aide des conseils ci-dessous:

Quantité de nourriture stockée			
Contrôle:	Grande Quantité	Reguliér Quantité	Petite Quantité
Congélateur	<p>Ajuster en 2</p>	<p>Ajuster en 2</p>	<p>Ajuster dans 1</p>
Refrigérateur	<p>Ajuster en 7</p>	<p>Ajuster à 4</p>	<p>Ajuster dans 1</p>

NOTE

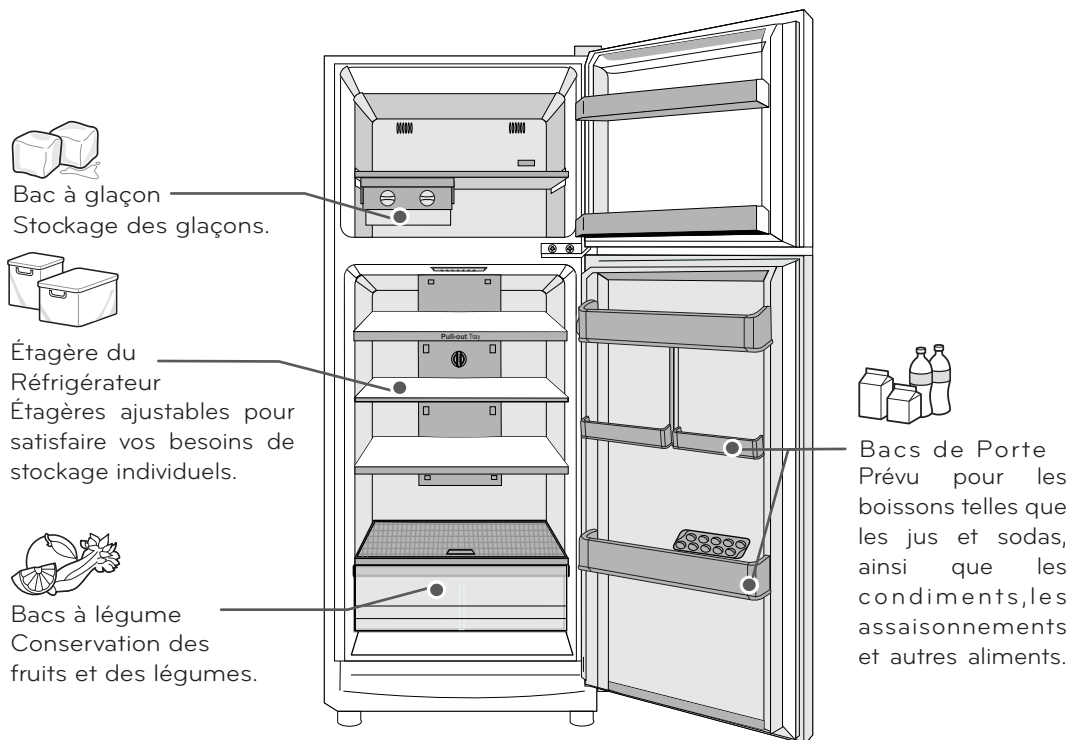
Faites attention de ne pas bloquer ou se déplaçant avec des colis alimentaires les contrôles de température, vous pouvez changer la température à laquelle votre réfrigérateur est réglée.

Stockage des aliments

Emplacements de préservation des aliments

Chaque compartiment à l'intérieur du réfrigérateur est conçu pour stocker des différents types d'aliments. Conservez vos aliments dans l'espace optimal pour maintenir un goût frais.

FRANÇAIS



AVERTISSEMENT

- Ne stockez pas d'aliments avec une haute teneur en eau vers le haut du réfrigérateur. L'humidité pourrait entrer en contact direct avec l'air froid et geler.
- Lavez les aliments avant de les stocker dans le réfrigérateur. Les fruits et légumes doivent être lavés, et les emballages alimentaires doivent être essuyés pour empêcher les aliments voisins d'être contaminés.
- Si le réfrigérateur est rangé dans un lieu chaud et humide, l'ouverture fréquente de la porte ou le stockage d'un grand nombre de légumes dans le réfrigérateur peut provoquer la formation de condensation. Essayez la condensation avec un chiffon propre ou une serviette en papier.
- Si la porte du réfrigérateur est ouverte ou fermée trop souvent, l'air chaud peut pénétrer dans le réfrigérateur et en élever la température. Ceci peut augmenter les coûts de fonctionnement de l'unité.



REMARQUE

- Si vous vous absentez pour une courte période, comme pour de petites vacances, il est conseillé de laisser le réfrigérateur allumé. Les aliments réfrigérés pouvant être congelés resteront conservés plus longtemps s'ils sont stockés dans le congélateur.
- Si vous laissez le réfrigérateur éteint pendant une longue période, retirez-en toute la nourriture et débranchez le cordon d'alimentation. Nettoyez-en l'intérieur et laissez la porte ouverte pour empêcher que des moisissures ne se développent dans le réfrigérateur.

Conseils de stockage des aliments

*Les conseils suivants peuvent ne pas s'appliquer à tous les modèles.

Emballez ou stockez les aliments dans le réfrigérateur dans des emballages étanches à l'air et à l'humidité sauf indication contraire. Cela empêchera la propagation des odeurs et des goûts à l'ensemble du réfrigérateur. Pour les produits possédant une date de péremption, vérifiez le code de date pour en garantir la fraîcheur.

Aliments	Conservation
Beurre ou margarine	Gardez le beurre ouvert dans un plat couvert ou un compartiment fermé. Emballez et congélez les mottes supplémentaires.
Fromage	Conservez dans son emballage original jusqu'à consommation. Une fois ouvert, remballer dans un emballage en plastique ou dans une feuille d'aluminium.
Lait	Essuyez les cartons de lait. Pour que le lait soit plus froid, placez-le sur une étagère intérieure.
Oeufs	Pour une meilleure conservation, placez-les dans leur boîte d'origine sur l'étagère à l'intérieur et non contre la porte.
Fruits	Consommez les fruits immédiatement après les avoir lavés ou pelés. Triez et conservez-les dans leur emballage d'origine, dans un bac à légumes, ou dans un sac en papier bien fermé sur une étagère du réfrigérateur.
Légumes à feuilles	Retirez l'emballage du magasin et coupez ou retirez les zones abîmées ou décolorées. Lavez à l'eau froide et égouttez. Rangez dans un sac ou un récipient en plastique et placez-le dans le bac à légumes.
Légumes à peau (carottes, poivrons)	Rangez dans un sac ou un récipient en plastique et placez-le dans le bac à légumes.
Poisson	Conservez le poisson frais et les coquillages dans le compartiment congélateur s'ils ne peuvent être consommés le jour de l'achat.
Restes	Recouvrez les restes de film plastique ou d'aluminium, ou rangez-les dans des récipients en plastique avec couvercle hermétique.



REMARQUE

Consultez un guide de congélateur ou un livre de cuisine fiable pour plus d'informations sur la préparation des aliments à la congélation ou les temps de stockage des aliments.

Stockage d'aliments congelés

Congélation

Votre congélateur ne congèlera pas rapidement une grande quantité d'aliments. Ne placez pas plus d'aliments dans le congélateur que celui-ci peut congeler en 24h (pas plus de 1 à 2 kg d'aliments pour 30 L d'espace). Laissez suffisamment d'espace pour que l'air circule autour des paquets, et pour que la porte ferme bien.

Les temps de stockage varieront en fonction de la qualité et du type de nourriture, du type d'emballage ou de sachet utilisé (protection contre l'air et l'humidité) et la température de stockage. Les cristaux de glace qui se forment à l'intérieur d'un paquet scellé sont normaux. Cela signifie simplement que l'humidité contenue dans les aliments et dans l'air à l'intérieur du paquet s'est condensée, formant des cristaux de glace.



REMARQUE

Laissez les aliments chauds refroidir à température ambiante pendant 30 minutes, puis emballez-les avant de les congeler. Cela permet d'économiser de l'énergie.

Emballage

La réussite de la congélation dépend de l'emballage correct. Lorsque vous fermez et scellez le paquet, celui-ci doit être étanche à l'air et à l'humidité. Dans le cas contraire, les odeurs et les goûts se propageront dans le réfrigérateur et les aliments peuvent sécher.

Recommandations d'emballage:

- Récipients en plastique rigide avec couvercles hermétiques.
- Pots de conserve/congélation aux bords droits
- Feuille d'aluminium extra-résistante.
- Papier plastifié.
- Sachets plastique imperméables.
- Sacs plastiques auto adhésifs pour congélation.
- Suivez les consignes sur l'emballage ou le récipient pour réussir la congélation.

Ne pas utiliser:

- Poches à pain.
- Récipients en plastique autre que le polyéthylène.
- Récipients sans couvercle hermétique.
- Papier ciré ou sachet de congélation ciré.
- Sachet fin semi-perméable.

Bacs à légume à contrôle d'humidité et tiroir

Les bacs à légume permettent de conserver le goût des fruits et des légumes grâce à un contrôle facile de l'humidité dans le tiroir.

Vous pouvez contrôler la quantité d'humidité dans les bacs à légume étanches en réglant la commande sur n'importe quel réglage entre High (Haut) et Low (Faible).



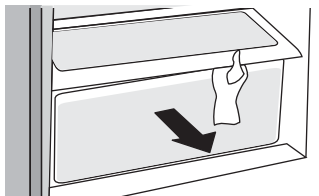
évacue l'air humide du bac à légumes pour une meilleure conservation des fruits.



garde l'air humide dans le bac pour une meilleure conservation des légumes à feuilles frais.

Pour retirer le bac à légumes, suivez les consignes ci-après:

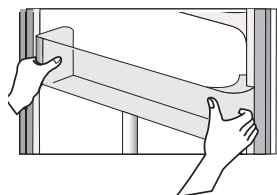
- Pour enlever le bac à légumes, tirez le bac à fruits et légumes jusqu'à leur pleine extension, soulevez l'avant et les retirez directement.
- Pour installer le bac à légumes, inclinez légèrement le devant, insérez le tiroir dans le cadre et le remettez-le en place en le poussant.



Bacs de la porte

Les bacs de porte sont amovibles et peuvent être facilement nettoyés et réglés.

- Pour retirer le bac, soulevez et tirez.
- Pour replacer le bac, glissez-le au-dessus de l'emplacement souhaité et poussez jusqu'à ce qu'il s'emboîte.



AVERTISSEMENT

- Ne forcez pas trop pour retirer ou installer les bacs de stockage.
- Ne passez pas les bacs de stockage et étagères au lave-vaisselle.
- Retirez régulièrement les bacs de stockage et les étagères pour les laver, car les aliments peuvent facilement les contaminer.

Réglage des étagères

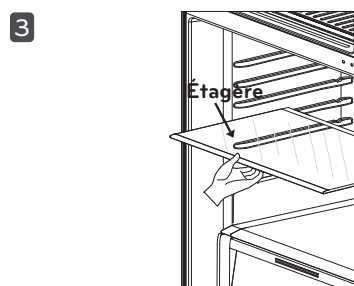
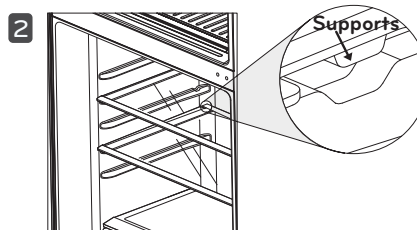
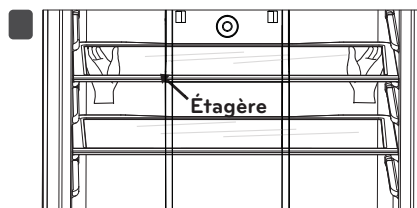
Les étagères de votre réfrigérateur sont réglables pour répondre à vos besoins.

Ajustez les étagères en fonction de la taille des éléments pour retrouver vos aliments plus facilement. Cela permettra de réduire le temps pendant lequel la porte du réfrigérateur reste ouverte, ce qui vous fera économiser de l'énergie.

Retrait de l'étagère

Pour retirer les étagères du réfrigérateur, suivez les consignes ci-dessous:

- 1 Soulevez l'arrière de l'étagère par dessous.
- 2 Appliquez une force suffisante pour soulever l'étagère et la dégager des supports.
- 3 Glissez l'étagère vers l'avant pour la retirer complètement.



AVERTISSEMENT

- Ne lavez pas les étagères en verre encore froides avec de l'eau chaude. Celles-ci pourraient se briser si elles sont exposées à des changements soudains de température ou à des impacts.
- Les étagères en verre sont lourdes. Prenez des précautions lorsque vous les retirez.

ENTRETIEN

Nettoyage

- Les compartiments réfrigérateur et congélateur dégivrent automatiquement; cependant, nettoyez les deux compartiments environ une fois par mois pour éviter les odeurs.
- Essuyez immédiatement en cas de déversement.
- Débranchez toujours le réfrigérateur avant le nettoyage.

Conseils généraux de nettoyage

- Débranchez le réfrigérateur ou coupez l'alimentation.
- Retirez toutes les pièces amovibles, telles que les étagères, bacs à légumes, etc.
- Utilisez une éponge propre ou un chiffon doux et un détergent léger avec de l'eau chaude. N'utilisez pas de paille de fer ou de nettoyeurs abrasifs.
- Lavez à la main, rincez et séchez toutes les surfaces consciencieusement.

Extérieur

Le cirage des surfaces métalliques extérieures peintes permet de fournir une protection contre la rouille. Ne cirez pas les pièces en plastique. Cirez les surfaces métalliques peintes au moins deux fois par an avec de la cire pour appareils (ou de la cire à application automatique). Appliquez la cire avec un chiffon propre et doux.

Pour les appareils dont l'extérieur est en acier inoxydable, utilisez une éponge propre ou un chiffon doux et un détergent léger avec de l'eau chaude. N'utilisez pas de paille de fer ou de nettoyeurs abrasifs. Séchez consciencieusement avec un chiffon doux.



AVERTISSEMENT

- N'utilisez pas de chiffon rugueux ou d'éponge lors du nettoyage de l'intérieur et l'extérieur du réfrigérateur.
- Ne placez pas vos mains sur la surface inférieure du réfrigérateur lorsque vous l'ouvrez ou le fermez.



ATTENTION

Utilisez un produit nettoyant non inflammable. Risque de mort, d'explosion ou d'incendie.

Parois intérieures (laissez le congélateur réchauffer pour que le chiffon ne reste pas collé)

Pour éliminer les odeurs, vous pouvez laver l'intérieur du réfrigérateur avec un mélange de bicarbonate de sodium et d'eau chaude. Mélangez-en 2 cuillères à soupe (26 g) à un litre d'eau. Assurez-vous qu'il soit complètement dissous pour ne pas rayer les surfaces.

Revêtement et joints de la porte

Utilisez une éponge propre ou un chiffon doux et un détergent léger avec de l'eau chaude. N'utilisez pas les cires de nettoyage, les détergents concentrés, l'eau de Javel ou les produits nettoyants contenant des dérivés de pétrole sur les pièces en plastique du réfrigérateur.

Pièces en plastique

Utilisez une éponge propre ou un chiffon doux et un détergent léger avec de l'eau chaude. N'utilisez pas de spray pour fenêtres, de nettoyeurs abrasifs ou de liquides inflammables. Ceux-ci peuvent rayer ou endommager le matériel.

Changement de la lampe (LED)

Retirez pas la lampe, ne peuvent être enlevés par un technicien qualifié.



ATTENTION

En cas de remplacement, la nouvelle lampe doit être le même cahier des charges que l'original.

SMART DIAGNOSIS™ (Diagnostic Intelligent)



Si vous rencontrez des difficultés techniques avec votre réfrigérateur, celui-ci a la capacité de transmettre des données à travers votre téléphone Centre de dépannage LG. Cela vous donne la possibilité de parler directement à l'un de nos techniciens spécialisés. Le technicien enregistre les données transmises depuis votre machine et s'en servira pour analyser le problème et fournir un diagnostic rapide et efficace.

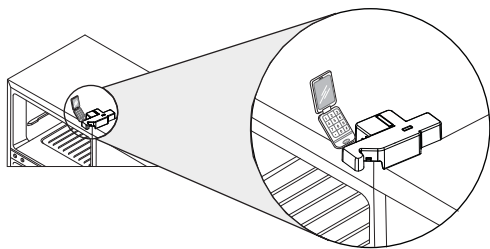
Si vous rencontrez des problèmes avec votre réfrigérateur, appelez au Centre de Service LG. N'utilisez la fonctionnalité Smart Diagnosis™ (Diagnostic Intelligent) que sur instruction de l'agent du centre d'appel LG. Les bruits de transmission que vous entendrez sont normaux et ressemblent à ceux d'un fax.

Smart Diagnosis™ (Diagnostic Intelligent) ne peut être activé que lorsque votre réfrigérateur est branché à l'alimentation. Si votre réfrigérateur ne peut pas s'allumer, le dépannage devra être réalisé sans la fonction Smart Diagnosis™ (Diagnostic Intelligent).

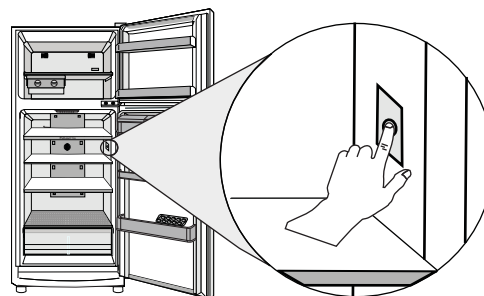
Utiliser Smart Diagnosis™

Appelez tout d'abord, appelez au Centre de Service LG. N'utilisez la fonctionnalité Smart Diagnosis™ (Diagnostic Intelligent) que sur instruction de l'agent du centre d'appel LG.

- 1 Ouvrez la porte du réfrigérateur.
- 2 Approchez le microphone de votre téléphone devant le haut-parleur situé sur la charnière droite de la porte de votre réfrigérateur, lorsque le centre d'assistance vous le demande.



- 3 Appuyez 5 fois sur l'interrupteur de détection d'ouverture de la porte, comme illustré, pour faire clignoter la lumière dans le compartiment.



- 4 Maintenez le téléphone jusqu'à ce que le bruit de transmission disparaisse. Une fois la transmission de données est terminée et le bruit disparu, reprenez votre conversation avec le spécialiste, qui sera alors en mesure de vous aider grâce à l'information transmise pour l'analyse.

! REMARQUE

- Pour de meilleurs résultats, ne bougez pas le téléphone lors de la transmission des tonalités.
- Si l'agent du centre d'appel ne réussit pas à obtenir un enregistrement précis des données, vous devrez recommencer.

! REMARQUE

- Les différences de qualité d'appel entre les régions peuvent affecter cette fonctionnalité.
- Utilisez un téléphone fixe pour permettre une meilleure communication et obtenir un meilleur dépannage.
- La mauvaise qualité des appels peut entraîner une mauvaise transmission des données de votre téléphone vers la machine et causer un dys fonctionnement du Smart Diagnosis™.

DÉPANNAGE

Consultez la section Dépannage avant d'appeler le dépannage, vous économiserez ainsi du temps et de l'argent.

Problème	Causes possibles	Solutions
Les compartiments réfrigérateur et congélateur ne refroidissent pas.	Le mode du réfrigérateur est sur OFF (certains modèles)	Basculez le mode sur ON. Référez-vous à la section Réglage des contrôles pour consulter les réglages de température corrects.
	Le réfrigérateur est en mode dégivrage.	Pendant le cycle de dégivrage, la température des compartiment peut augmenter légèrement. Attendez 30 minutes et vérifiez que la température correcte est revenue à la fin du cycle de dégivrage.
	Le réfrigérateur vient d'être installé	Chaque compartiment peut nécessiter jusqu'à 24 h pour atteindre la température souhaitée.
	Le réfrigérateur vient d'être déménagé.	Si le réfrigérateur était stocké depuis longtemps ou a été transporté sur le côté, laissez-le debout pendant 24h avant le branchement de la prise.
Le système de refroidissement fonctionne trop souvent.	Le réfrigérateur remplace un ancien modèle.	Les réfrigérateurs modernes nécessitent plus de temps de fonctionnement mais consomment moins d'énergie car la technologie est plus efficace.
	Le réfrigérateur vient juste d'être branché ou le courant vient de revenir.	Le réfrigérateur prendra jusqu'à 24h pour refroidir correctement.
	Portes ouvertes fréquemment ou une grande quantité d'aliments ou des aliments chauds ont été ajoutés.	L'ajout d'aliments ou l'ouverture de la porte réchauffe le réfrigérateur, prolongeant le temps de fonctionnement du compresseur pour refroidir le compartiment. Afin de conserver l'énergie, essayez de récupérer tout ce qu'il vous faut en même temps, maintenez les aliments organisés pour qu'il soit plus facile de les retrouver et refermez les portes dès que vous avez retiré les aliments (Référez-vous au Conseils de stockage des aliments).
	Les portes ne sont pas complètement fermées.	Poussez fermement les portes pour les fermer. Si elles ne se ferment pas complètement, consultez la partie "Les portes ne se ferment pas complètement ou s'ouvrent d'elles-mêmes" dans la partie Dépannage.
	Le réfrigérateur est installé dans un lieu chaud.	Le compresseur est actif plus longtemps lorsque le temps est chaud. À température ambiante normale (21 °C), votre compresseur fonctionnera entre 40% et 80% du temps. S'il fait plus chaud, il fonctionnera encore plus fréquemment. Ne le mettez pas en marche lorsque la température dépasse 43 °C.

Problème	Causes possibles	Solutions
Le compartiment réfrigérateur ou congélateur est trop chaud.	Le réfrigérateur vient d'être installé.	Chaque compartiment peut nécessiter jusqu'à 24 h pour atteindre la température souhaitée.
	Les aérations sont bouchées. De l'air froid circule du congélateur vers la section des aliments frais et revient en passant par les aérations dans la paroi divisant les deux sections.	Localisez les aérations en utilisant vos mains pour sentir le flux d'air et déplacez les paquets bloquant les aérations et bloquant le flux. Réorganisez les aliments pour laisser passer l'air dans l'ensemble du compartiment.
	Les portes sont ouvertes souvent ou pendant longtemps.	Lorsque les portes sont ouvertes fréquemment ou pendant longtemps, de l'air chaud et humide pénètre dans le compartiment. Cela augmente la température et le niveau d'humidité dans le compartiment. Pour diminuer l'effet, limitez la fréquence et la durée des ouvertures de porte.
	L'appareil est installé dans un lieu chaud.	Le réfrigérateur ne doit pas être mis en marche lorsque la température est au-dessus de 43°C.
	Une grande quantité d'aliments ou des aliments chauds ont été introduits dans l'un des compartiments.	L'ajout d'aliments réchauffe le compartiment, et active le système de refroidissement. L'effet sera réduit si vous laissez les aliments chauds refroidir à température ambiante avant de les mettre au réfrigérateur.
	Les portes ne sont pas correctement fermées.	Voir la section Les portes ne se ferment pas correctement ou s'ouvrent d'elles-mêmes dans la partie "Dépannage pièces et fonctionnalités".
	Le contrôle de température n'est pas réglé correctement.	Si la température est trop chaude, ajustez le contrôle un pas à la fois et attendez que la température se stabilise. Référez-vous à la section Panneau de commande pour plus d'informations.
	Le cycle de dégivrage vient de se terminer.	Pendant le cycle de dégivrage, la température de chaque compartiment peut augmenter légèrement et de la condensation peut se former sur la paroi arrière. Attendez 30 minutes et vérifiez que la température correcte est revenue à la fin du cycle de dégivrage.
Accumulation d'humidité à l'intérieur.	Les portes sont ouvertes souvent ou pendant longtemps.	Lorsque les portes sont ouvertes fréquemment ou pendant longtemps, de l'air chaud et humide pénètre dans le compartiment et augmente la température et le niveau d'humidité dans le compartiment. Pour diminuer l'effet, limitez la fréquence et la durée des ouvertures de porte.
	Les portes ne sont pas correctement fermées.	Voir la section "Les portes ne se ferment pas correctement" dans la partie Dépannage.
	Le temps est humide.	Le temps humide facilite la formation de condensation ou de givre dans les compartiments lorsque les portes sont ouvertes. En maintenant un niveau raisonnable d'humidité dans votre logement, vous pourrez contrôler le degré d'humidité pouvant entrer dans les compartiments.

Problème	Causes possibles	Solutions
Accumulation d'humidité à l'intérieur.	Le cycle de dégivrage vient de se terminer.	Pendant le cycle de dégivrage, la température des compartiments peut augmenter légèrement et de la condensation peut se former sur la paroi arrière. Attendez 30 minutes et vérifiez que la température correcte est revenue à la fin du cycle de dégivrage.
	Les aliments ne sont pas emballés correctement.	Les aliments sont stockés sans couvercle ni emballage, et les récipients mouillés peuvent entraîner l'accumulation d'humidité dans les compartiments. Essuyez les récipients et rangez les aliments dans des emballages fermés pour éviter la condensation et le givre.
Les aliments congèlent dans le compartiment réfrigérateur.	Des aliments possédant un niveau d'eau élevé sont rangés près d'une aération.	Réorganisez les éléments à forte teneur en eau loin des aérations.
	Le réglage de la température du réfrigérateur n'est pas effectué correctement.	Si la température est trop froide, ajustez le contrôle un pas à la fois et attendez que la température se stabilise. Référez-vous à la section Panneau de commande pour plus d'informations.
	Le réfrigérateur est installé dans un lieu froid.	Lorsque le réfrigérateur est mis en marche dans des températures en-dessous de 5°C, les aliments peuvent congeler dans le compartiment réfrigérateur. Ne le mettez pas en marche lorsque la température est en-dessous de 13°C.
Du givre ou des cristaux de glace se forment sur les aliments congelés (à l'extérieur des paquets).	Les portes sont ouvertes souvent ou pendant longtemps.	Lorsque les portes sont ouvertes fréquemment ou pendant longtemps, de l'air chaud et humide pénètre dans le compartiment et entraîne la formation de givre et de condensation. Pour diminuer l'effet, limitez la fréquence et la durée des ouvertures de porte.
	La porte n'est pas correctement fermée.	Référez-vous à la section Les portes ne se ferment pas correctement ou s'ouvrent d'elles-mêmes dans la section Dépannage.
Le compartiment réfrigérateur ou congélateur est trop froid.	Réglage incorrect de la commande de température.	Si la température est trop froide, ajustez le contrôle un pas à la fois et attendez que la température se stabilise. Référez-vous à la section Panneau de commandes pour plus d'informations.
Du givre ou des cristaux de glace se forment sur les aliments congelés (à l'intérieur de paquets fermés).	La condensation issue des aliments à forte teneur en eau a gelé à l'intérieur du paquet.	Ceci est normal pour ce type d'aliments.
	Des aliments sont restés trop longtemps au congélateur.	Ne conservez pas des aliments à niveau d'eau important pendant de longues périodes au congélateur.
Les glaçons ont un mauvais goût ou une mauvaise odeur.	Les aliments ne sont pas correctement rangés dans les compartiments.	Remballez les aliments. Les odeurs peuvent se propager vers les glaçons si les aliments ne sont pas correctement emballés.
	L'intérieur du réfrigérateur doit être nettoyé.	Voir la section Entretien pour plus d'informations.

Problème	Causes possibles	Solutions
Les glaçons ont un mauvais goût ou une mauvaise odeur.	Le bac de stockage des glaçons doit être nettoyé.	Videz et lavez le bac (jetez les vieux glaçons). Assurez-vous que le bac est complètement sec avant de le réinstaller.
Cliquetis	Le contrôle du dégivrage émettra un clic lorsque le cycle de dégivrage automatique commence et prend fin. Le contrôle du thermostat (ou le contrôle du réfrigérateur, selon le modèle) cliquera aussi lors des changements de cycle.	Fonctionnement normal.
Craquements	Des bruits de vibration peuvent provenir du flux de liquide réfrigérant, de la ligne d'arrivée d'eau à l'arrière de l'appareil, ou des éléments stockés au-dessus ou à côté du réfrigérateur.	Fonctionnement normal.
	Le réfrigérateur ne repose pas fermement sur le sol.	Le sol est faible ou irrégulier, ou les pieds de nivellement doivent être ajustés. Voir la section Nivellement.
	Le réfrigérateur à compression linéaire a été secoué en cours de fonctionnement.	Fonctionnement normal.
Grincement	Moteur du ventilateur de l'évaporateur faisant circuler l'air entre les compartiments réfrigérateur et congélateur.	Fonctionnement normal.
	Air forcé vers le condensateur par le ventilateur.	Fonctionnement normal.
Gargouillis	Liquide de réfrigération circulant à travers le système de refroidissement.	Fonctionnement normal.
Pop	Contraction et expansion des parois internes en raison des changements de température.	Fonctionnement normal.
Grésillement	Eau qui goutte sur le radiateur lors d'un cycle de dégivrage.	Fonctionnement normal.
Vibrations	Si le côté ou l'arrière du réfrigérateur touche un placard ou un mur, certaines des vibrations normales créeront un son audible.	Pour éliminer le bruit, assurez-vous que les côtés et l'arrière ne peuvent pas vibrer contre un mur ou un placard.

Problème	Causes possibles	Solutions
Bruit de goutte	Eau en cours d'évacuation pendant le cycle de dégivrage.	Fonctionnement normal.
Bruit de pulsation ou strident	Votre réfrigérateur est conçu pour fonctionner plus efficacement pour conserver vos aliments à la température souhaitée. Le compresseur à haute performance peut améliorer la longévité de votre réfrigérateur, mais il a aussi besoin de plus d'énergie que les anciens modèles. Lors du fonctionnement du réfrigérateur, il est normal d'entendre des bruits de pulsations ou des bruits stridents.	Fonctionnement normal.
Les portes ne ferment pas correctement ou s'ouvrent d'elles-mêmes.	Des paquets d'aliments bloquent la fermeture de la porte.	Réorganisez les récipients alimentaires pour dégager la porte et les étagères.
	Le bac à glaçons, le couvercle du bac à légume, les plateaux, les étagères ou les paniers sont mal positionnés.	Poussez les bacs jusqu'au bout et placez les couvercles du bac à ux, les légumes, les plateaux étagères et les paniers en position correcte. Voir la section Mode d'emploi pour plus d'informations.
	Le réfrigérateur n'est pas correctement nivelé.	Voir Nivellement dans la section Installation pour le niveler.
Les portes sont difficiles à ouvrir.	Les joints sont sales ou collants.	Nettoyez les joints et les surfaces qu'ils touchent. Frottez une fine couche de vernis pour appareils ou de cire de cuisine sur les joints après nettoyage.
	La porte vient d'être fermée.	Lorsque vous ouvrez la porte, de l'air chaud entre dans le réfrigérateur. À mesure que l'air chaud se refroidit, cela peut créer un vide. Si la porte est difficile à ouvrir, attendez une minute pour laisser la pression de l'air s'équilibrer, puis tentez de nouveau.
Le réfrigérateur oscille ou semble instable.	Les pieds de nivellement ne sont pas réglés correctement.	Référez-vous à la section Nivellement.
	Le sol n'est pas régulier.	Il peut être nécessaire d'ajouter des cales sous les pieds de nivellement ou des roues pour compléter l'installation.
L'éclairage ne fonctionne pas.	Panne des diodes d'éclairage de l'intérieur.	L'éclairage du compartiment réfrigérateur est composé de diodes internes, et le dépannage doit être réalisé par un technicien qualifié.
L'intérieur du réfrigérateur est couvert de poussière ou de suie.	Le réfrigérateur est situé près d'une source de feu, comme un foyer, une cheminée ou une bougie.	Assurez-vous que le réfrigérateur n'est pas situé près d'une source de feu, comme un foyer, une cheminée ou une bougie.

LG ELECTRONICS CANADA, INC.
GARANTIE LIMITÉE DES RÉFRIGÉRATEURS LG - Canada

AVIS D'ARBITRAGE : LA PRÉSENTE GARANTIE LIMITÉE CONTIENT UNE DISPOSITION SUR L'ARBITRAGE QUI EXIGE QUE LE RÈGLEMENT DES DIFFÉRENDS ENTRE VOUS ET LG S'EFFECTUE PAR ARBITRAGE EXÉCUTOIRE PLUTÔT QUE DEVANT UN TRIBUNAL, À MOINS QUE LES LOIS DE VOTRE PROVINCE OU TERRITOIRE L'INTERDISSENT OU QUE, DANS UN AUTRE TERRITOIRE DE COMPÉTENCE, VOUS VOUS PRÉVALIEZ D'UNE OPTION DE RETRAIT. LES RECOURS COLLECTIFS ET LES PROCÈS DEVANT JURY NE SONT PAS AUTORISÉS PAR LE PROCESSUS D'ARBITRAGE. VEUILLEZ VOUS RÉFÉRER CI-DESSOUS À L'ARTICLE « PROCÉDURE DE RÈGLEMENT DE DIFFÉREND ». Si votre réfrigérateur LG («Produit») a tombé en panne en raison d'un défaut de matériaux ou de fabrication sous une utilisation normale et appropriée, pendant la période de garantie indiquée ci-dessous, LG Electronics Canada Inc. («LGECI»), à son gré, réparera ou remplacera le «Produit» après réception de la preuve d'achat originale au détail. Cette garantie limitée est valable uniquement qu'à l'acheteur original du «Produit» du détaillant et s'applique uniquement à un produit distribué, acheté et utilisé au Canada, tel que déterminé à la seule discrétion de «LGECI».

PÉRIODE DE GARANTIE (Remarque: Dans le cas où la date d'achat initial ne peut pas être vérifiée, la garantie commence soixante (60) jours après la date de fabrication.)			
Réfrigérateur	Système scellé (condensateur, sècheuse, tuyau de raccordement et évaporateur)		Compresseur linéaire / à inversion
Un (1) an après la date d'achat original de l'appareil.	Un (1) an après la date d'achat original de l'appareil.	Sept (7) ans après la date d'achat original de l'appareil.	Dix (10) ans après la date d'achat original de l'appareil.
Pièces et main-d'œuvre (pièces internes et fonctionnelles uniquement)	Pièces et main-d'œuvre	Pièces uniquement (la main-d'œuvre sera facturée au client)	Pièces uniquement (la main-d'œuvre sera facturée au client)

- Les produits et pièces de remplacement sont garantis pour la portion restante de la période de garantie originale ou quatre-vingt-dix (90) jours, selon la période la plus longue.
- Les produits et pièces de rechange peuvent être neufs, reconditionnés, remis à neuf ou autrement fabriqués en usine, tous à la seule discrétion de «LGECI».
- La preuve de l'achat de détail original spécifiant le modèle du produit et la date d'achat est requise pour obtenir un service sous garantie en vertu de la présente garantie limitée.

LA RESPONSABILITÉ DE LGECI EST LIMITÉE À LA GARANTIE LIMITÉE EXPRIMÉE CI-DESSUS. SAUF TEL QU'EXPRESSÉMENT FOURNI CI-DESSUS, LGECI DÉCLINE TOUTE AUTRE GARANTIE ET CONDITION CONCERNANT LE PRODUIT, EXPLICITE OU IMPLICITE, Y COMPRIS, MAIS SANS S'Y LIMITER, TOUTE GARANTIE IMPLICITE OU CONDITION DE QUALITÉ MARCHANDE OU D'ADAPTATION À UN USAGE PARTICULIER, ET AUCUNE REPRÉSENTATION NE SERA LIÉE À LGECI. LGECI N'AUTORISE AUCUNE PERSONNE À CRÉER OU ENSOSSER À SA PLACE QUELCONQUE AUTRE OBLIGATION DE GARANTIE OU RESPONSABILITÉ RELATIVE AU PRODUIT. DANS LA MESURE OÙ TOUTE GARANTIE OU CONDITION EST IMPLICITE PAR LA LOI, ELLE EST LIMITÉE À LA PÉRIODE DE GARANTIE DÉCLARÉE CI-DESSUS. EN AUCUN CAS, LGECI, LE FABRICANT OU LE DISTRIBUTEUR DU PRODUIT, NE SERA TENU RESPONSABLE DE TOUT DOMMAGE ACCESSOIRE, CONSÉCUTIF, SPÉCIAL, DIRECT, INDIRECT, PUNITIF OU EXEMPLAIRE, Y COMPRIS, SANS LIMITATION, LA PERTE DE COTE D'ESTIME, PERTE DE PROFITS, PERTE DE PROFITS ANTICIPÉS, PERTE DE REVENUS, PERTE D'UTILISATION OU DE TOUT AUTRE DOMMAGE, QU'IL SOIT PROVENU DIRECTEMENT OU INDIRECTEMENT DE TOUTE INFRACTION CONTRACTUELLE, VIOLATION FONDAMENTALE, DÉLICTEUELLE OU AUTRE, OU DE TOUT ACTE OU OMISSION. LA RESPONSABILITÉ TOTALE DE LGECI, S'IL EN EST, N'OUTREPASSERA PAS LE PRIX D'ACHAT PAYÉ PAR VOUS POUR LE PRODUIT.

Cette garantie limitée vous donne des droits légaux spécifiques. Vous pouvez également avoir d'autres droits qui varient d'une province à l'autre selon les lois provinciales applicables. Tout terme de cette garantie limitée qui nie ou modifie toute condition ou garantie implicite en vertu de la loi provinciale est divisible lorsqu'elle est en conflit avec cette loi provinciale sans affecter le reste des termes de cette garantie.

LA PRÉSENTE GARANTIE LIMITÉE NE COUVRE PAS CE QUI SUIT :

- Tout déplacement du technicien pour : i) livrer, reprendre, installer ou; éduquer comment utiliser le Produit; ii) corriger le câblage ou plomberie; ou iii) rectifier toute réparation ou installation non-autorisée du Produit;
- Dommage ou panne du Produit à performer lors de panne de courant et service électrique inadéquat ou interrompu;
- Dommage ou panne en raison de tuyaux d'eau brisés ou dont l'eau fuit, conduite d'eau gelée, conduite de récupération obstruée, approvisionnement d'eau inadéquat ou interrompu ou ravitaillement d'air inadéquat;
- Dommage ou panne résultant de l'utilisation du Produit dans un environnement corrosif ou contraire aux instructions détaillées dans le manuel d'utilisation du Produit;
- Dommage ou panne du Produit en raison d'accidents, ravageurs et parasites, foudre, vent, feu, inondations, actes de Dieu ou toute autre raison hors du contrôle de LGECI ou du fabricant;
- Dommage ou panne résultant d'utilisation inappropriée ou abusive ou d'installation, réparation ou entretien imparfait du Produit. Réparation imparfaite inclut l'utilisation de pièces non autorisées ou spécifiées par LGECI. Installation ou entretien imparfait inclut toute installation ou entretien contraire aux instructions détaillées au manuel d'utilisation du Produit;
- Dommage ou panne en raison de modification ou altération non autorisée du Produit, ou si utilisé pour fins autres que celle d'appareil ménager domestique, ou dommage ou panne résultant de toute fuite d'eau due à une mauvaise installation du produit;
- Dommage ou panne en raison de courant électrique, tension ou codes de plomberie incorrects;
- Dommage ou panne en raison d'utilisation autre que celle d'appareil ménager domestique normale, incluant, sans limite, l'utilisation commerciale ou industrielle, incluant l'utilisation au bureau commercial ou centre récréatif, ou détaillée autrement au manuel d'utilisation du Produit;
- Dommage ou panne en raison d'utilisation de tout accessoire, composant ou produit nettoyant, incluant, sans limite, filtres à eau non autorisés par LGECI;
- Remplacement de la cartouche du filtre à eau en raison de la pression d'eau située en dehors de la plage de fonctionnement spécifiée ou sédiments excessifs dans l'approvisionnement d'eau;
- Dommage ou panne provoqué par le transport et manipulation, incluant rayures, bosses, écaillage et/ou autre endommagement.

ment à la finition du Produit, **à moins que** tel dommage ait résulté de fabrication ou matériaux défectueux et rapporter à LGECI dans la (1) semaine suivant livraison du Produit;

- Dommage or articles absents de tout Produit démonstrateur, boîte ouverte, réusiné ou escompté;
- Produit réusiné ou tout Produit vendu "Tel quel", "Où est", "Avec tous défauts", ou toute mise en garde similaire; • Produit dont le numéro de série original ait été retiré, altéré ou ne peut être facilement déterminé à la discrétion de LGECI;
- Augmentation de la facture d'électricité et dépenses additionnelles d'utilité de quelque manière associée au Produit; • Tout bruit associé au fonctionnement normal du Produit;
- Remplacement des ampoules, filtres, fusibles ou tout autre élément consommable;
- Remplacement de toute pièce n'étant pas originalement incluse avec le Produit;
- Coûts associés au retrait et/ou réinstallation du Produit pour fins de réparation; et
- Les clayettes, bacs, tiroirs, poignées et accessoires du Produit, sauf les pièces internes / fonctionnelles couvertes par cette garantie limitée.
- Couverture pour réparations à domicile, pour produit sous garantie, sera fournie si le Produit se trouve dans un rayon de 150 km du centre de service autorisé (ASC) le plus près, tel que déterminé par LG Canada. Si votre Produit est situé à l'extérieur du rayon de 150 km d'un centre de service autorisé, tel que déterminé par LG Canada, il en ira de votre responsabilité d'apporter votre Produit, à vos frais, au centre de service (ASC) pour réparation sous garantie.

Tous coûts et dépenses associés aux circonstances exclues ci-dessus, énumérés sous la rubrique "Cette garantie limitée ne couvre pas" sont à la charge du consommateur.

AFIN D'OBTENIR SOUTIEN DE GARANTIE ET INFORMATIONS SUPPLÉMENTAIRES VEUILLEZ NOUS APPELER OU VISITER NOTRE SITE WEB :

Sans frais : 1-888-542-2623 (7h à minuit - l'année longue) et sélectionnez l'option appropriée au menu, ou; Visitez le site web à : <http://www.lg.com>

PROCÉDURE DE RÈGLEMENT DE DIFFÉREND :

SAUF LA OÙ LA LOI L'INTERDIT, TOUT DIFFÉREND ENTRE VOUS ET LG ASSOCIÉ DE QUELQUE FAÇON QUE CE SOIT À LA PRÉSENTE GARANTIE LIMITÉE SE RÉGLE EXCLUSIVEMENT PAR ARBITRAGE EXÉCUTOIRE PLUTÔT QUE DEVANT UN TRIBUNAL DE DROIT COMMUN. SAUF LA OÙ LA LOI L'INTERDIT, VOUS ET LG RENONCEZ IRRÉVOCABLEMENT À TOUT DROIT À UN PROCÈS DEVANT JURY, AINSI QU'À EXERCER UN RECOURS COLLECTIF OU À Y PARTICIPER.

Définitions. Aux fins du présent article, « LG » désigne LG Electronics Canada Inc., ses sociétés mères, ses filiales et ses sociétés affiliées et tous leurs dirigeants, administrateurs, employés, agents, bénéficiaires, détenteurs précédents des mêmes droits, successeurs, cessionnaires et fournisseurs; « différend » et « réclamation » englobent tout différend, réclamation ou litige de quelque sorte que ce soit (fondés sur une responsabilité contractuelle, délictuelle, légale, réglementaire ou découlant d'une ordonnance, par fraude, fausse représentation ou sous quelque régime de responsabilité que ce soit) découlant de quelque façon que ce soit de la vente, des conditions ou de l'exécution du produit ou de la présente Garantie limitée.

Avis de différend. Si vous prévoyez engager une procédure d'arbitrage, vous devez d'abord envoyer à LG un préavis écrit d'au moins 30 jours à l'adresse suivante : Équipe juridique LG Electronics Canada, Inc., Legal Department - Arbitration, 20 Norelco Drive, North York, Ontario M9L 2X6. Vous et LG convenez de discuter en toute bonne foi pour tenter de régler le différend à l'amiable. L'avis doit mentionner votre nom, votre adresse, votre numéro de téléphone, le produit faisant l'objet de la réclamation, la nature de la réclamation et la réparation demandée. Si vous et LG ne parvenez pas à régler le différend dans les 30 jours, l'une ou l'autre partie peut déposer une demande d'arbitrage.

Entente d'arbitrage exécutoire et renonciation à un recours collectif. Si la réclamation n'a pu être réglée dans les 30 jours suivant l'envoi du préavis à LG, vous et LG convenez de ne régler les réclamations vous opposant que par arbitrage exécutoire au cas par cas, à moins que vous vous prévaliez de l'option de retrait évoquée plus haut ou que vous résidiez dans un territoire de compétences qui interdit la pleine application de cette clause dans le cas de réclamations de ce type (dans lequel cas, si vous êtes un consommateur, cette clause ne s'appliquera que si vous acceptez expressément l'arbitrage). Dans la mesure où la loi en vigueur le permet, aucun différend entre vous et LG ne peut être combiné ou regroupé avec un différend faisant intervenir le produit ou la réclamation d'une personne ou entité tierce. Plus précisément et sans limiter la portée de ce qui précède, sauf dans la mesure où une telle interdiction n'est pas autorisée en droit, en aucun cas un différend entre vous et LG ne peut être traité dans le cadre d'un recours collectif. Au lieu de l'arbitrage, les parties peuvent tenter une action individuelle devant une cour des petites créances, mais cette action ne peut pas être intentée dans le cadre d'un recours collectif, sauf dans la mesure où une telle interdiction n'est pas autorisée en droit dans votre province ou territoire de compétences pour une réclamation en cause qui nous oppose.

Règles et procédures d'arbitrage. Pour soumettre une réclamation à un arbitrage, l'une des deux parties, soit vous ou LG, doit déposer une demande écrite à cet effet. L'arbitrage est privé et confidentiel et s'effectue selon une procédure simplifiée et accélérée devant un arbitre unique choisi par les parties conformément aux lois et règlements en vigueur portant sur l'arbitrage commercial de votre province ou territoire de résidence. Vous devez également envoyer une copie de votre demande écrite à LG Electronics Canada, Inc., Legal Department - Arbitration, 20 Norelco Drive, North York, Ontario M9L 2X6. La présente disposition sur l'arbitrage est régie par les lois et règlements sur l'arbitrage commercial applicables de votre province ou territoire. La sentence arbitrale peut donner lieu à un jugement de n'importe quel tribunal compétent. Toutes les décisions relèvent de l'arbitre, à l'exception des questions associées à la portée et à l'applicabilité de la disposition sur l'arbitrage et à l'arbitrabilité du différend, qui sont du ressort du tribunal. L'arbitre est tenu de respecter les modalités de la présente disposition.

Droit applicable. Les lois de votre province ou territoire de résidence régissent la présente Garantie limitée et tout différend entre nous, sauf dans la mesure où de telles lois sont supplantées par des lois fédérales, provinciales ou territoriales applicables ou sont incompatibles avec ces dernières. Si l'arbitrage n'est pas autorisé pour régler une réclamation, une poursuite, un différend ou un litige nous opposant, nous nous en remettrons à la compétence exclusive des tribunaux de votre province ou territoire de compétence pour le règlement de la réclamation, de la poursuite, du différend ou du litige nous opposant.

Frais et coûts. Aucuns frais ne sont exigibles pour entamer une procédure d'arbitrage. À la réception de votre demande d'arbitrage écrite, LG réglera rapidement la totalité des frais de dépôt de la demande d'arbitrage, sauf si vous réclamez des dommages-intérêts supérieurs à 25 000 \$. Dans ce cas, le paiement de ces frais sera régi par les règles d'arbitrage applicables. Sauf disposition contraire aux présentes, LG paiera tous les frais de dépôt de demande et d'administration ainsi que les honoraires de l'arbitre conformément aux règles d'arbitrage applicables et à la présente disposition sur l'arbitrage. Si vous remportez l'arbitrage, LG réglera vos frais et honoraires juridiques après avoir déterminé s'ils sont raisonnables en se fondant sur des facteurs comme, entre autres, le montant de l'achat et le montant de la réclamation. Si l'arbitre juge que le motif de la réclamation ou les réparations demandées sont futiles ou se fondent sur des motifs déplacés (au regard des lois applicables), le paiement de tous les frais d'arbitrage sera régi par les règles d'arbitrage applicables. Dans un tel cas, vous acceptez de rembourser à LG la totalité des montants versés qu'il vous revient autrement de payer en vertu des règles d'arbitrage applicables. Sauf disposition contraire et si elle remporte l'arbitrage, LG renonce à tous ses droits de vous réclamer des frais et horaires juridiques.

Audience et lieu de l'arbitrage. Si votre réclamation est égale ou inférieure à 25 000 \$, vous pouvez opter pour un arbitrage conduit selon l'une des modalités suivantes uniquement : 1) sur examen des documents remis à l'arbitre, 2) par audience téléphonique ou 3) par audience en personne selon les dispositions des règles d'arbitrage applicables. Si votre réclamation dépasse 25 000 \$, le droit à une audience sera défini par les règles d'arbitrage applicables. Les audiences arbitrales en personne se tiendront à l'endroit le plus proche et le plus pratique pour les deux parties situé dans votre province ou votre territoire de résidence, sauf si nous convenons mutuellement d'un autre lieu ou d'un arbitrage par téléphone. Dissociabilité et renonciation. Si une partie de la présente Garantie limitée (y compris les présentes procédures d'arbitrage) n'est pas applicable, les dispositions restantes demeurent en vigueur dans la mesure permise par la loi applicable. Le fait de ne pas exiger la stricte exécution d'une disposition de la présente Garantie limitée (y compris les présentes procédures d'arbitrage) ne signifie pas que nous ayons renoncé ni que nous ayons l'intention de renoncer à toute disposition ou partie de la présente Garantie limitée.

Option de retrait. Vous pouvez vous retirer de la présente procédure de règlement de différend. Dans ce cas, ni vous ni LG ne pouvez imposer à l'autre partie de participer à une procédure d'arbitrage. Pour vous prévaloir de l'option de retrait, vous devez envoyer un préavis à LG dans les trente (30) jours civils à compter de la date de l'achat du produit par le premier acheteur i) dans un courriel adressé à optout@lge.com et dont la ligne d'objet porte la mention « Retrait de l'arbitrage » ou ii) en composant le 1-800-980-2973. Que ce soit par courriel ou par téléphone, vous devrez donner a) votre nom et votre adresse; b) la date d'achat du produit; c) le nom ou le numéro de modèle du produit et d) le numéro de série (qu'il est possible de trouver i) sur le produit ou ii) en ligne au https://www.lg.com/ca_fr/soutien/repairation-garantie/demande-reparation, Trouver mes numéros de modèle et de série). Si vous vous prévalez de l'option de retrait, les lois de votre province ou territoire de résidence régissent la présente Garantie limitée et tout différend entre nous, sauf dans la mesure où de telles lois sont supplantées par des lois fédérales, provinciales ou territoriales applicables ou sont incompatibles avec ces dernières. Si l'arbitrage n'est pas autorisé pour régler une réclamation, une poursuite, un différend ou un litige nous opposant, nous nous en remettons à la compétence exclusive des tribunaux de votre province ou territoire de compétence pour le règlement de la réclamation, de la poursuite, du différend ou du litige nous opposant.

Vous ne pouvez vous prévaloir de l'option de retrait que de la manière décrite plus haut (c'est-à-dire par courriel ou par téléphone). Aucun autre type d'avis ne sera pris en compte pour le retrait de la présente procédure de règlement de différend. Le fait de se retirer de la présente procédure de règlement de différend ne compromet d'aucune façon la protection accordée en vertu de la Garantie limitée, et vous continuerez à jouir de tous les avantages prévus par la Garantie limitée. Si vous conservez ce produit sans vous prévaloir de l'option de retrait, vous acceptez les conditions générales de la disposition sur l'arbitrage énoncée ci-dessus.

Conflit de modalités. En cas de conflit ou d'incompatibilité entre les modalités de la présente garantie limitée et le contrat de licence d'utilisation (CLU) en ce qui concerne le règlement des différends, les modalités de la présente garantie limitée contrôlent et régissent les droits et obligations des parties et ont préséance sur le CLU.



LG Customer Information Center

1-800-243-0000 USA, Consumer User
1-888-865-3026 USA, Commercial User
1-888-542-2623 CANADA

Register your Product Online!

www.lg.com