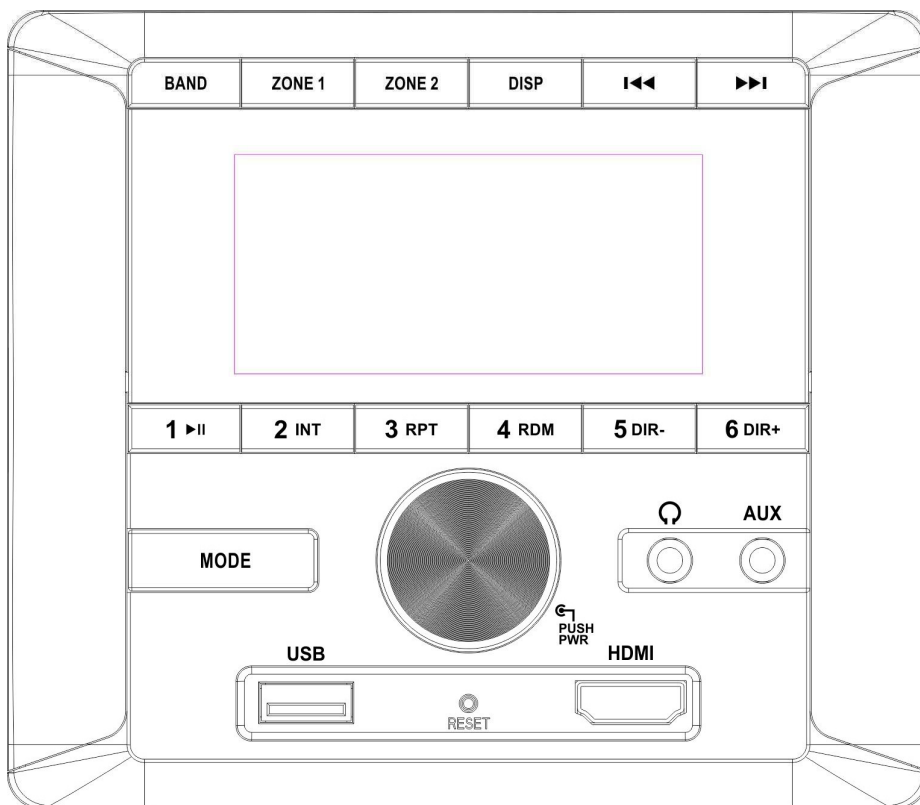




BT 100 Product Manual



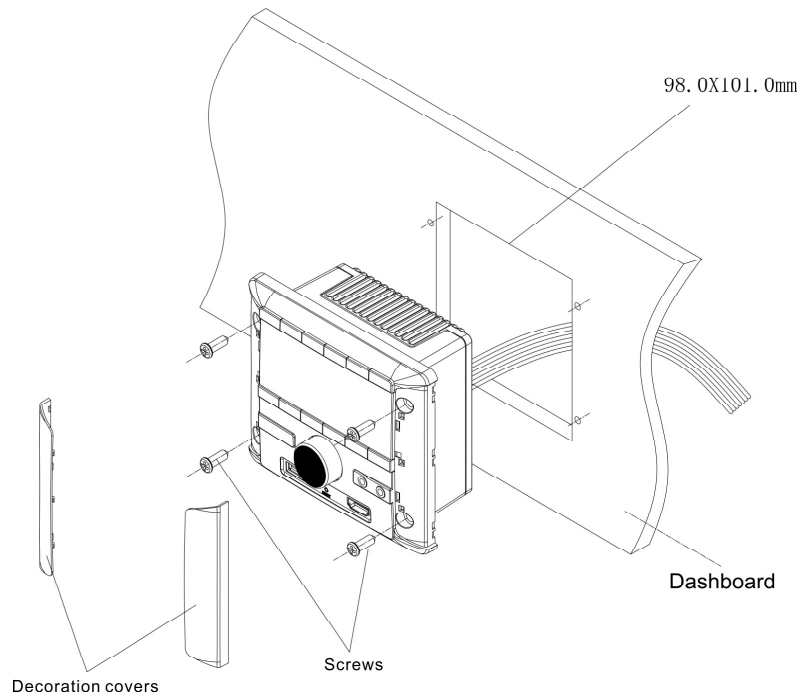
Please read the instruction carefully before operating the unit.

ATTENTIONS OF INSTALLATION

1. Please read the instruction manual carefully before installing the unit
2. Make sure to connect other wires before power on the unit.
3. To avoid short circuit. Please make sure all the exposed wires are insulated.
4. Please fix all the wires after installation.
5. Please make connection to the player accordingly to this instruction manual.
Wrong connection may cause damage to the unit.
6. This player only fit for 12V DC device

INSTALL THE UNIT

Mounting



REMOVE THE UNIT

1. Remove the unit
2. Take out the outer trim frame.

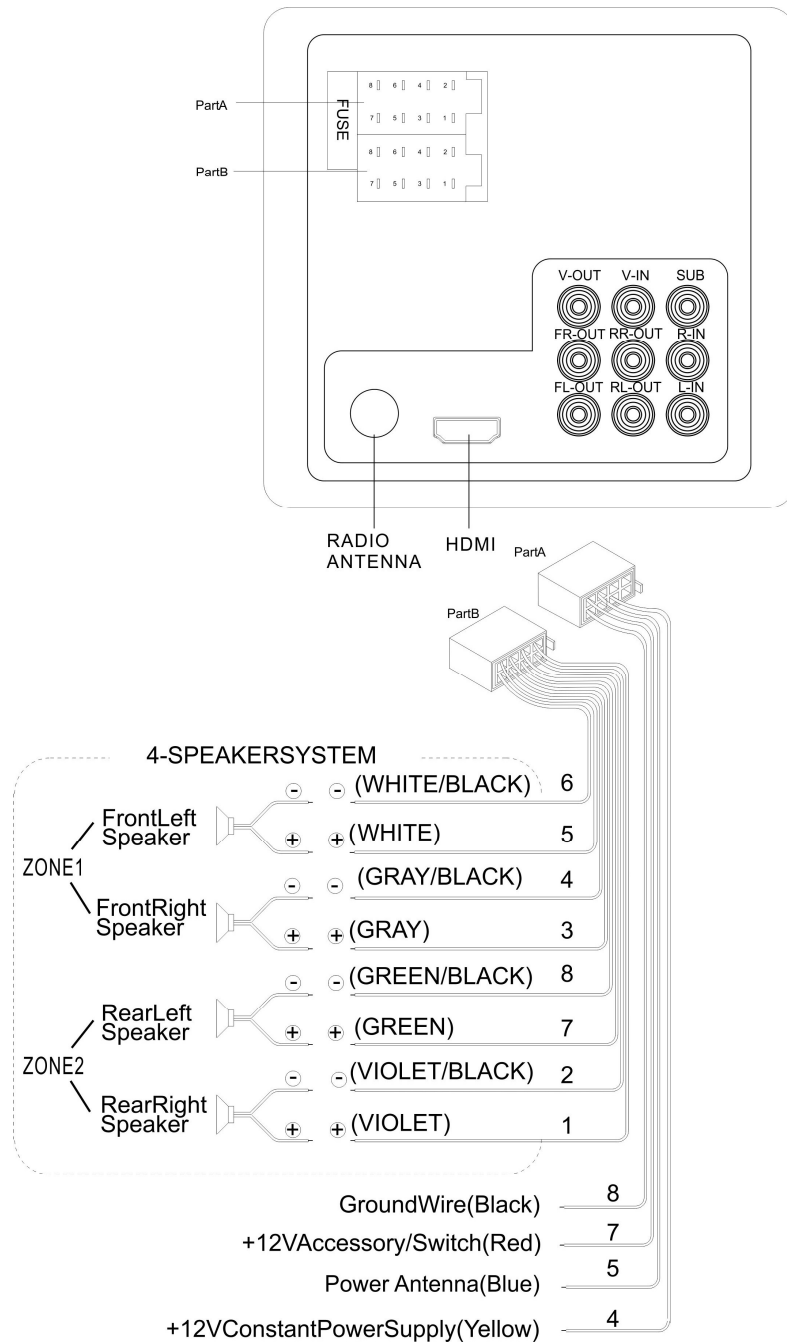
HDMI attention:

Please use good quality HDMI cable

The overall length (front and rear) should not over 12 feet

WIRING CONNECTION

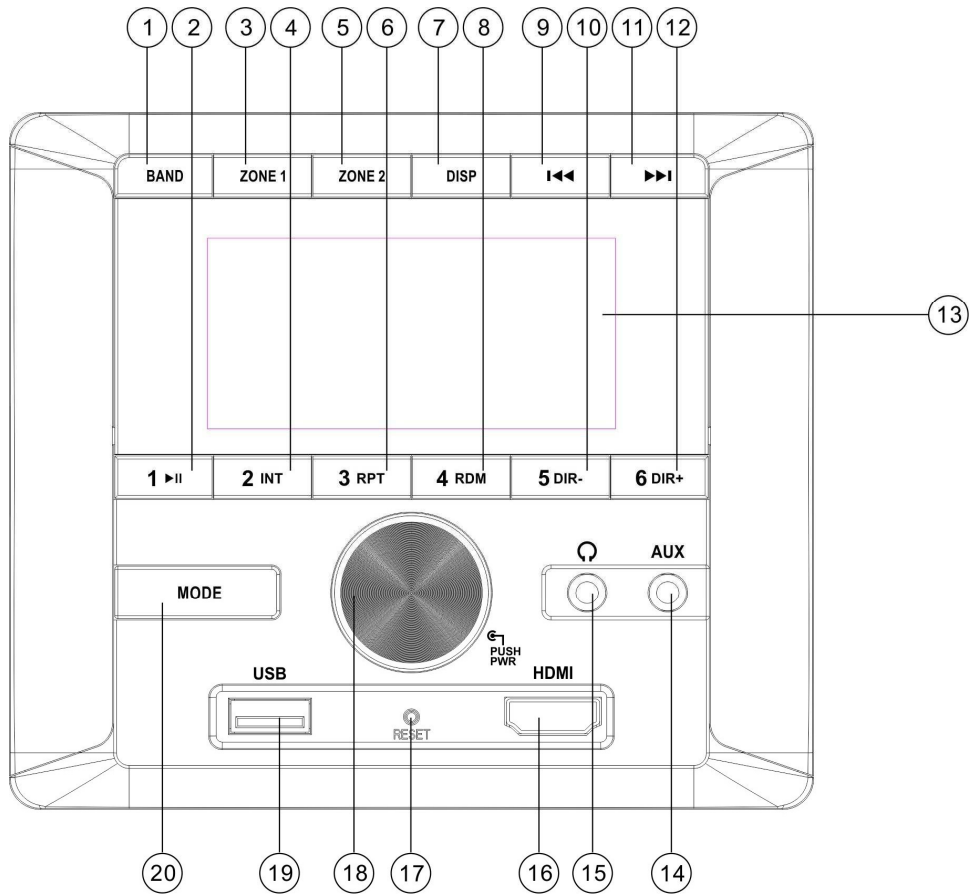
WIRING CONNECTION



1. This player can only be used by the 12V DC.
2. Don't connect to the battery until the player is absolutely well connected.
3. Please make sure to connect the yellow wire to the positive of the battery(+).
4. When change the fuse. Please make sure the specifications are same.
5. Using good quality speaker with 4-8 ohm can result in the best effect of the equipment.

OPERATION

LOCATION OF KEYS



1. BAND.

2. 1 ►►.

3. ZONE1.

4. 2 INT.

5. ZONE2.

6. 3 PRT.

7. DISP.

8. 4 RDM.

9. ◀◀.

10. 5 DIR-.

11. ►►.

12. 6 DIR+

13. LCD DISPLAY.

14. AUX JACK.

15. EARPHONE.

16. HDMI PORT.

17. RESET.

18. ROTARY KNOB.

19. USB PORT.

20. MODE.

OPERATION


KEY FUNCTIONS:

KEYS	ACTION	RADIO	USB	AUX IN 1/2	BT MUSIC
MODE	Short	change source	change source/search:7	change source	change source
	Long	BT off/link	BT off/link	BT off/link	BT off/link
BAND	Short	Band change	Song search	/	/
	Long	Auto Store	/	/	/
DISP	Short	clock	Show ID3 info/Show play time/search:0	clock	clock
	Long	clock setting	1' st: clock 2' nd:clock setting	clock setting	clock setting
ZONE 1	Short	zone 1 on/off	zone 1 on/off	zone 1 on/off	zone 1 on/off
	Long	/	/	/	/
ZONE 2	Short	zone 2 on/off	zone 2 on/off	zone 2 on/off	zone 2 on/off
	Long	/	/	/	/
>>	Short	seek up	next file/search:9	/	next file
	Long	turn up	fast forward	/	fast forward
<<	Short	seek down	previous file/search:8	/	previous file
	Long	turn down	fast reverse	/	fast reverse
VOL	Rotary	volume up/down	volume up/down /search:0-9999	volume up/down	volume up/down
SEL/POWER (PUSH VOL)	Short	power on/BAS-TRE-BAL-EQ-BEEP-DX-ST	power on/BAS-TRE-BA-EQ-BEEP-DX-ST/search: enter	power on/BAS-TRE-BAL- EQ-BEEP -DX-ST	power on/BAS-TRE-BAL-EQ- BEEP- DX-ST
	Long	power off	power off	power off	power off
1/PAU	Short	Recall M1 station.	play/pause/search:1	/	/
	Long	save station to M1	/	/	/
2/INT	Short	Recall M2 station.	INT ON/OFF/search:2	/	/
	Long	save station to M2	/	/	/
3/RPT	Short	Recall M3 station.	RPT (ONE/FLOD/ALL) /search:3	/	/
	Long	save station to M3	/	/	/
4/RDM	Short	Recall M4 station.	RDM ON/OFF/search:4	/	/
	Long	save station to M4	/	/	/
5/DIR -	Short	Recall M5 station.	DIR-/search:5	/	/
	Long	save station to M5	-10	/	/
6/DIR +	Short	Recall M6 station.	DIR+/search:6	/	/
	Long	save station to M6	+10	/	/

OPERATION

Common operation:

Turn on/off the unit

Press  button (VOL knob) to turn on the unit. When the unit is switched On, press and hold POWER button for 2 seconds to switch off the unit.

Sound and setting adjustment

Press **VOL** knob into the setting menu as below:

BASS-TRE-BAL- ALARM (on/off)-ALARM SET-EQ -BEEP-DX-ST-BT (off/link)

Zone1 and Zone 2 operation

Press Zone 1 once to active or mute

Press Zone 2 once to active or mute

To adjust Zone 1 and 2 volume together	To adjust volume of Zone 1	To adjust volume of Zone 2
Turn the VOLUME knob to adjust both volume together	Mute Zone 2; Then adjust the volume control	Mute Zone 1; Then adjust the volume control

When both zone 1 and zone 2 are in mute status, turn the VOLUME knob is not able to adjust the Zone 1 and Zone 2 volume.

Clock operation

In RADIO/AUX 1(2) /BT MUSIC mode. Press **DISP** button to show the time.

In USB mode. Press and hold **DISP** button to show the time. Press and hold **DISP** button again to set the clock.

Clock setting





In RADIO/AUX 1(2) /BT MUSIC mode. Press and hold **DISP** button the HH will be flashing. Rotating VOL knob to set the hour. Press **DISP** button the MM will be flashing. Rotating VOL knob to set the minute. Then press **DISP** button to exit.

Head phone operation

There is a 3.5mm head phone jack in the front panel. It is following the zone 1's operation.

Radio Operation

Receive a radio station

Press **MODE** button to select radio mode. Then press **BAND** button to select desired band. Shortly press /  button to receive the desired radio station. Press and hold /  button for manual tuning the frequency.

Manually store station & recall preset station

Receiving a desired station. Press and hold one of the preset button (1~6) for 2 seconds. The current station is stored into the number button. Shortly press the preset button (1~6) to directly listen the station that saved in the corresponding preset button.

Auto store station

Press and hold **BAND** button for 2 seconds to auto store stations to numeric buttons 1-6 of

OPERATION

band 1~3.

USB Operation

When an USB driver inserted to the unit, the unit will play the MP3/WMA file automatically. If an USB drive is already inserted in the unit. Keep pressing **MODE** button shortly until the USB mode display appears.

Select file

Press **▶▶/◀◀** button to skip to next/previous file. Hold **▶▶/◀◀** button to fast forward or fast reverse.

Play/Pause

Press 1/ **▶||** button to pause/playing the file.

INTRO playing

Press **2/INT** button to play first 10 seconds of each file. Press again to stop this function.

Repeat function

Press **3/RPT** button to select RPT mode.

RPT FOLD: Repeat all files of the folder.

RPT ONE: Repeat the same file.

RPT ALL: Repeat all files.

RANDOM

Press **4/RDM** button to choose RDM on/off.

RDM on: Playing all files in random order.

RDM off: Turn off the random function.

Directory+/- function

Press **DIR+/DIR-** button to select next/previous folder to play.

Search song

Press **BAND** button. It shows NUM 0000. Rotating VOL (or directly enter number) to select the numbers then press VOL to play. Please note the 7/8/9/0 as: MODE=7, **◀◀**=8, **▶▶**=9, DISP=0.

AUX IN 1/2 operation

AUX IN 1 for front panel 3.5mm jack. AUX IN 2 for RCA in back of the unit. Pressing **MODE** button to switch to AUX IN1(2) mode when Connecting the audio signal to the unit .

Bluetooth Operation

Pairing

On mobile phone, select the Bluetooth item searching the Bluetooth device. "BT 100" should appear in the list, select "BT 100" and then input password "0000" If it needs a password. When successful paired, the BT mark will be displayed on LCD.

OPERATION

Bluetooth Audio

Press **MODE** button to switch to BT MUSIC mode. It will play a song of your mobile phone automatically. Press **▶||** key to pause/play the song. Press **▶▶/◀◀** button to select next/previous song.

Disconnect the Bluetooth

When the mobile phone paired with the unit. Press and hold **MODE** button to disconnect the Bluetooth. Press and hold **MODE** button again to connect the Bluetooth again.

BT APP operation

1. APP installation

Alternative way to control the unit instead of using the front panel, you can use your smart phone. You will need to install the “BT 100” app onto your smart phone. The APP can be downloaded from Google Play (Android phone) or App Store (iPhone). Search for “BT 100” and proceed to download. Install per the app instructions.

2. Open the BT function of your smart phone and pair with the “BT 100” unit.

3. Under BT connection, connect with “BT 100” icon to enter the APP connection interface

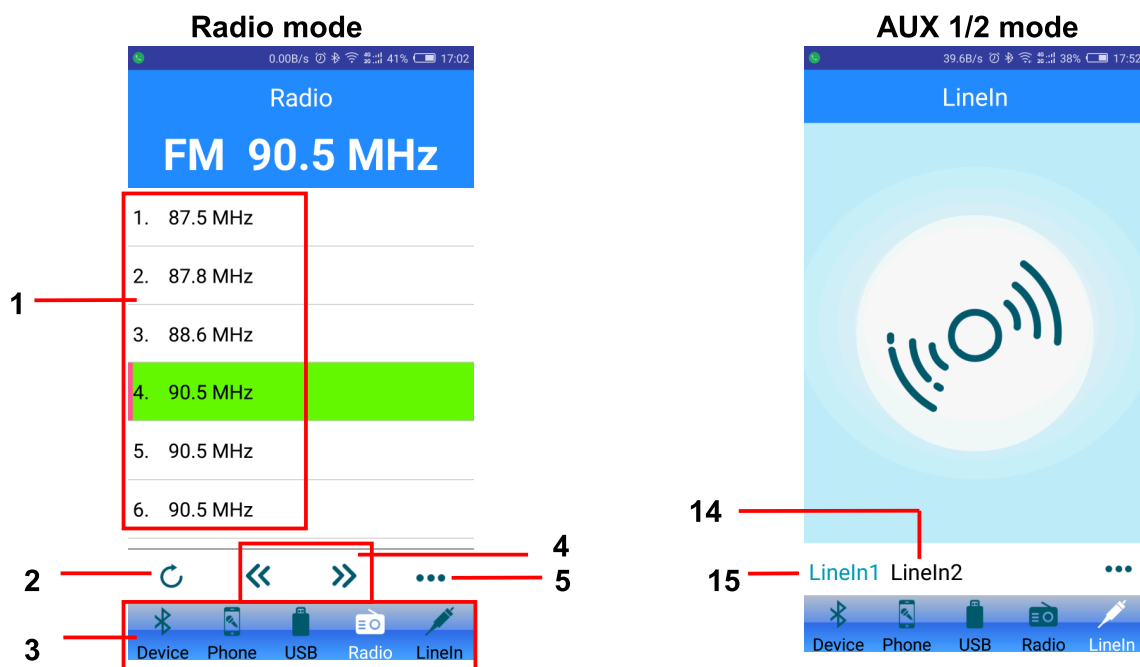
Note: 1) Your smart phone must be Bluetooth version 4.0 or above.

2) Before turn on the APP, make sure the unit didn't pair with another device

RADIO mode

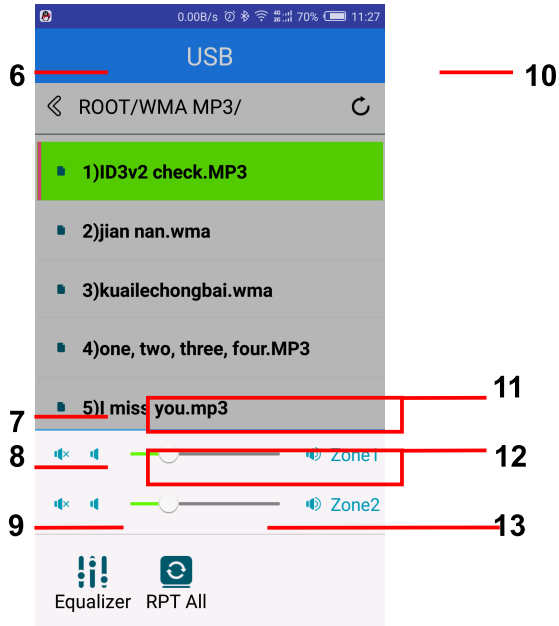
Auto store station: In FM band clicking  button to auto store stations (up to 18 pcs stations). In AM band clicking  button to auto store stations (up to 12 pcs stations).

Manually store station: Receiving a desired station. Press and hold one of the preset station (1~18) for 2 seconds. The current station is stored into the number. Shortly press the preset station (1~18) to directly listen to this station.



OPERATION

USB mode



BT MUSIC mode



- | | | |
|------------------------|--------------------------|----------------------------|
| 1: preset station | 2: Auto store button | 3: source change |
| 4: Seek up/down button | 5: Sub menu | 6: Back to previous folder |
| 7: Zone 1 MUTE | 8: Zone 2 MUTE | 9: EQ setting |
| 10: refresh button | 11: Zone 1 VOL. | 12: Zone 2 VOL. |
| 13: RPT/RDM button | 14: change to AUX 2 mode | 15: change to AUX 1 mode |
| 16: pause/play button | | |

GENERAL

Power Supply Requirements	: DC 12 Volts, Negative Ground
Chassis Dimensions	: 129(W) x 112(D) x 65(H)
Tone Controls	
- Bass (at 100 Hz)	: ± 10 dB
- Treble (at 10 kHz)	: ± 10 dB
Maximum Output Power	: 4 x 40 watts
Current Drain	: 10 Ampere (max.)

RADIO	FM	AM
Frequency Coverage	87.5 to 108 MHz	520 to 1710 kHz
IF	10.7 MHz	450 KHz
Sensitivity	4 μ V(S/N=30dB)	36dBuV(S/N=20dB)
Stereo Separation	>25dB	/

OPERATION

TROUBLE SHOOTING

Symptom	Cause	Solution
No power.	The car ignition switch is not on.	If the power supply is connected to the car accessory circuits, but the engine is not moving, switch the ignition key to "ACC".
	The fuse is blown.	Replace the fuse.
No sound.	Volume is in minimum	Adjust volume to a desired level.
	Wiring is not properly connected.	Check wiring connection.
The operation keys do not work.	The built-in microcomputer is not operating properly due to noise.	Press the reset button.
The radio does not Work. The radio station automatic selection does not work.	The antenna cable is not connected.	Insert the antenna cable firmly.
	The signals are too weak.	Select a station manually.
APP play phone music sound can't send to unit.	Unit paired with another mobile phone.	1) Turn off the Bluetooth function of another mobile. 2) Exit APP and turn on APP again.